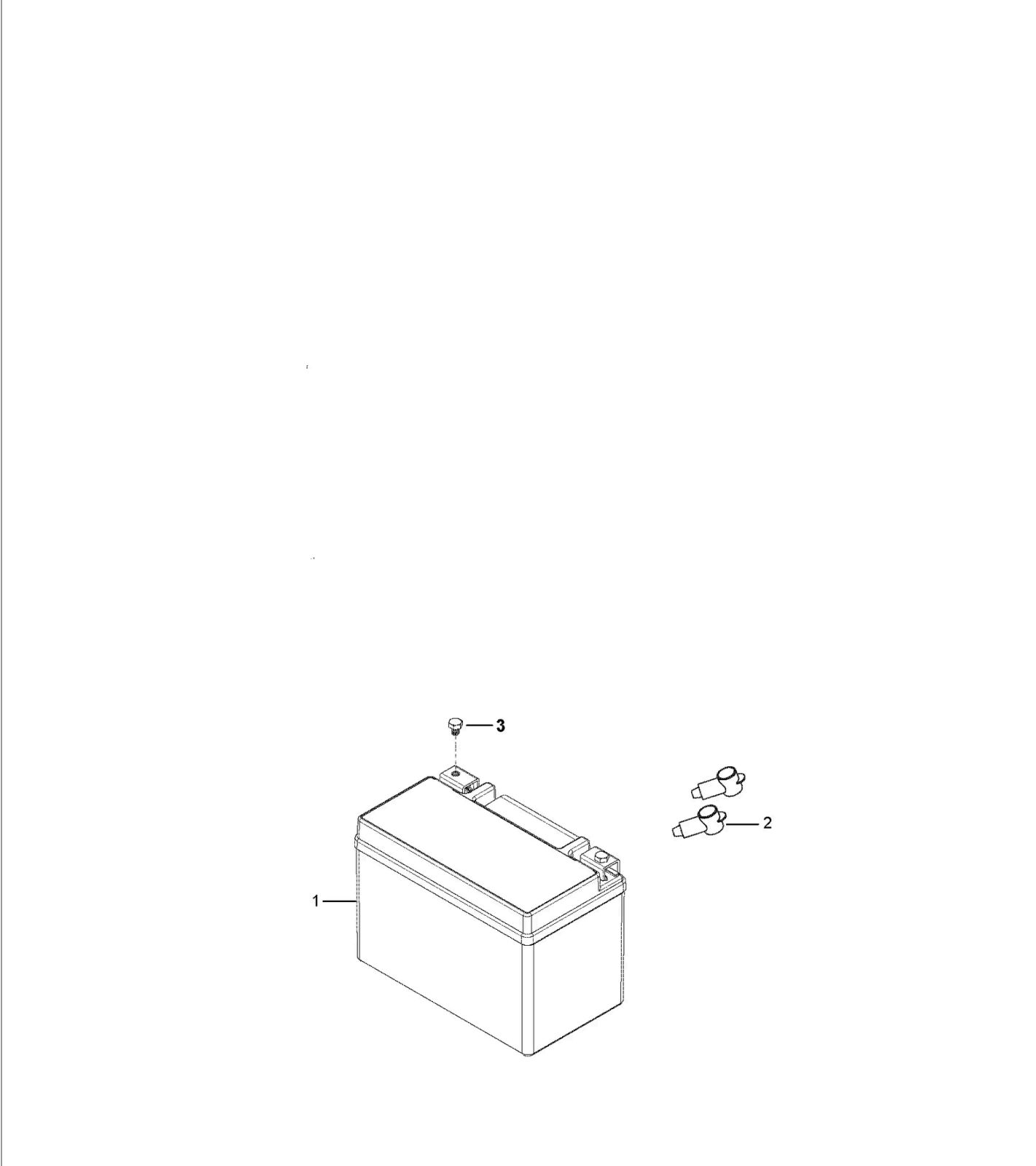


# Product Catalog: /CZT60x

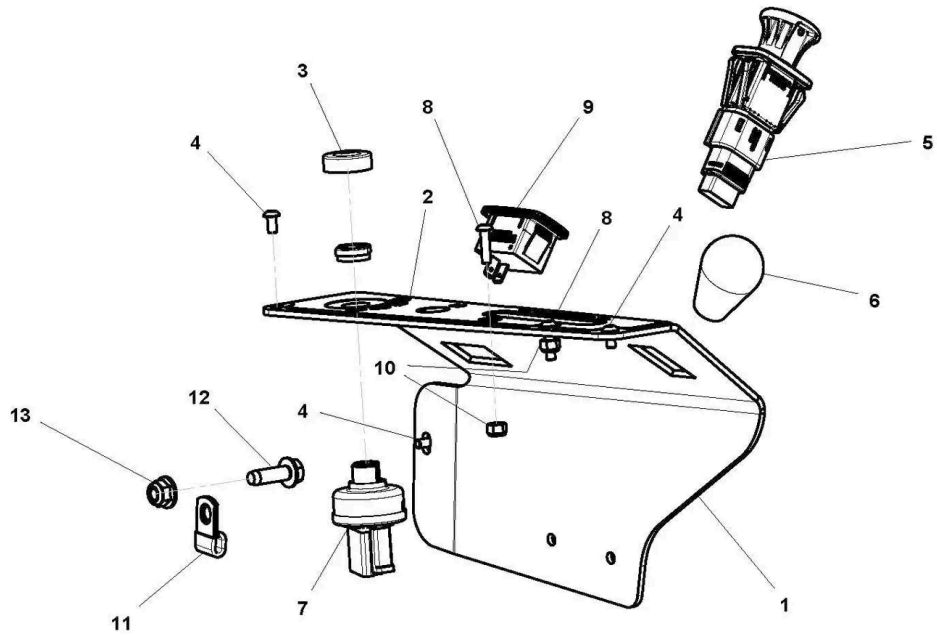
## BATTERY

---



<b>Ref.</b>	<b>Article N.</b>	<b>Description</b>	<b>Qty</b>	<b>Kit</b>
1	589819501	BATTERY	1	-
1	589819502	BATTERY <i>MX-12</i>	1	-
1	596990201	SERVICE KIT <i>MX-12 Bracket (Battery Not Included)</i>	1	-
2	539102759	INSULATOR	2	-
3	582460801	SCREW	2	-

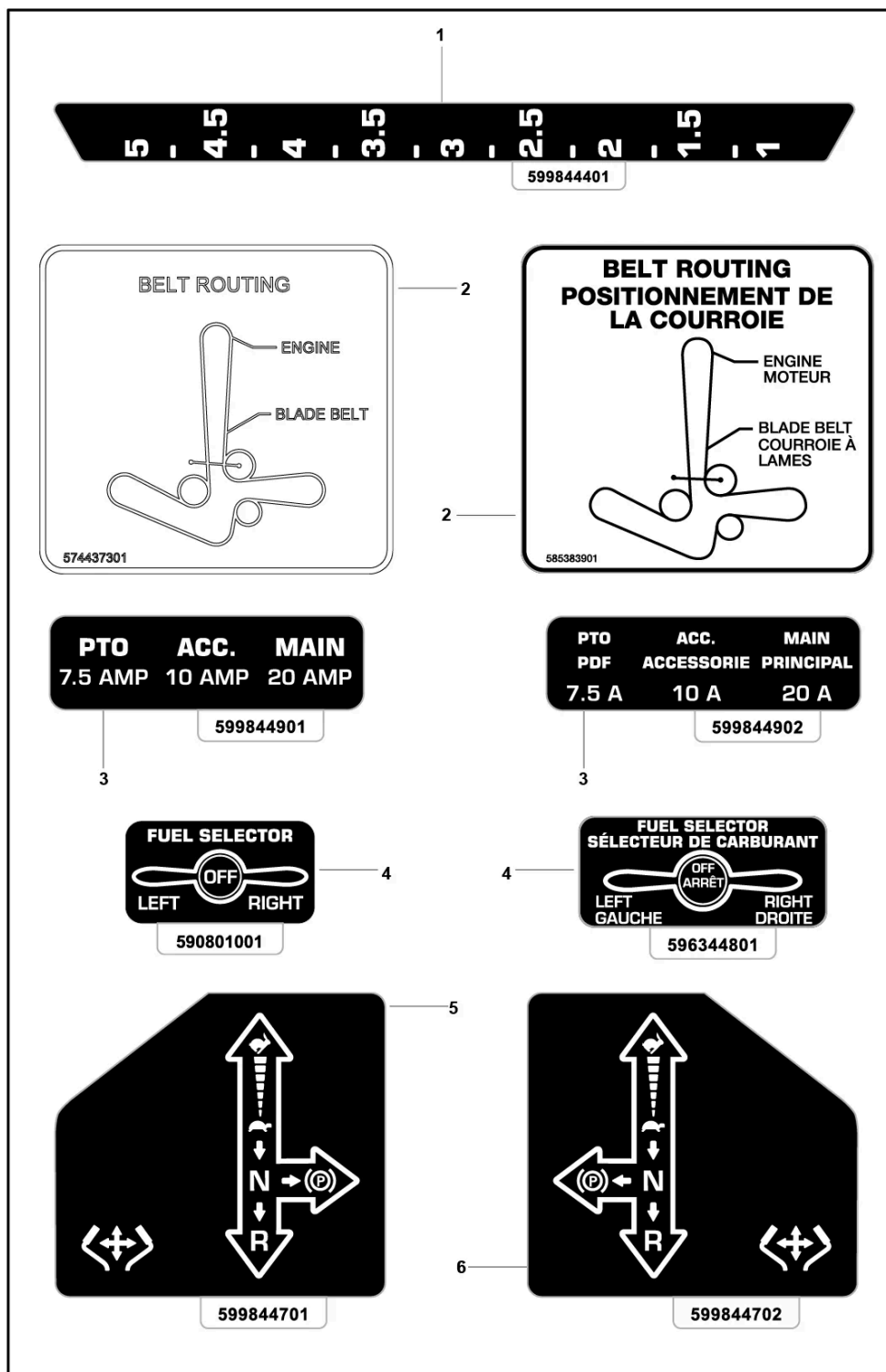
# CONTROL PANEL



Ref.	Article N.	Description	Qty	Kit
1	592979103	PANEL	1	-
2	590801102	DECAL	1	-

Ref.	Article N.	Description	Qty	Kit
3	539103178	NUT CAP	1	-
4	539114341	SCREW	3	-
5	589887201	SWITCH	1	-
6	539132624	KNOB	1	-
7	574455401	SWITCH	1	-
8	574822701	SCREW	2	-
9	594919101	HOUR METER	1	-
10	596040801	LOCK NUT	2	-
11	539109867	CLAMP	1	-
12	596433801	SCREW	1	-
13	594944401	NUT	1	-
13	593777804	HARNES <i>NOT SHOWN</i>	1	-
14	574455501	KEY <i>NOT SHOWN</i>	1	-
15	574207001	CABLE <i>THROTTLE CABLE</i>	1	-
16	574206905	CABLE <i>CHOKE CABLE</i>	1	-

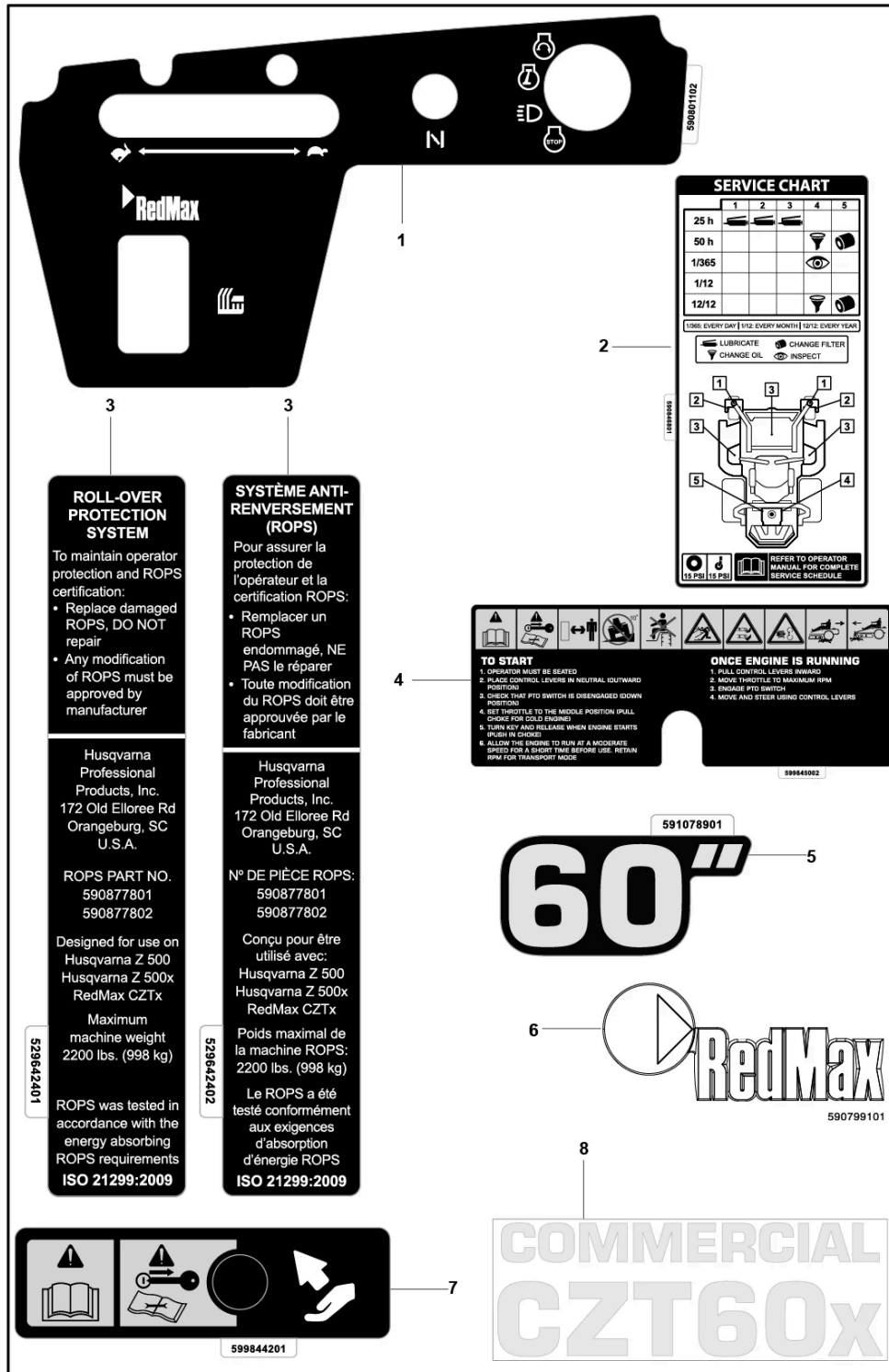
# DECALS



Ref.	Article N.	Description	Qty	Kit
1	599844401	DECAL	1	-
2	574437301	DECAL	1	-

<b>Ref.</b>	<b>Article N.</b>	<b>Description</b>	<b>Qty</b>	<b>Kit</b>
2	585383901	DECAL	1	-
3	599844901	DECAL	1	-
3	599844902	DECAL	1	-
4	590801001	DECAL	1	-
4	596344801	DECAL	1	-
5	599844701	DECAL	1	-
6	599844702	DECAL	1	-

# DECALS

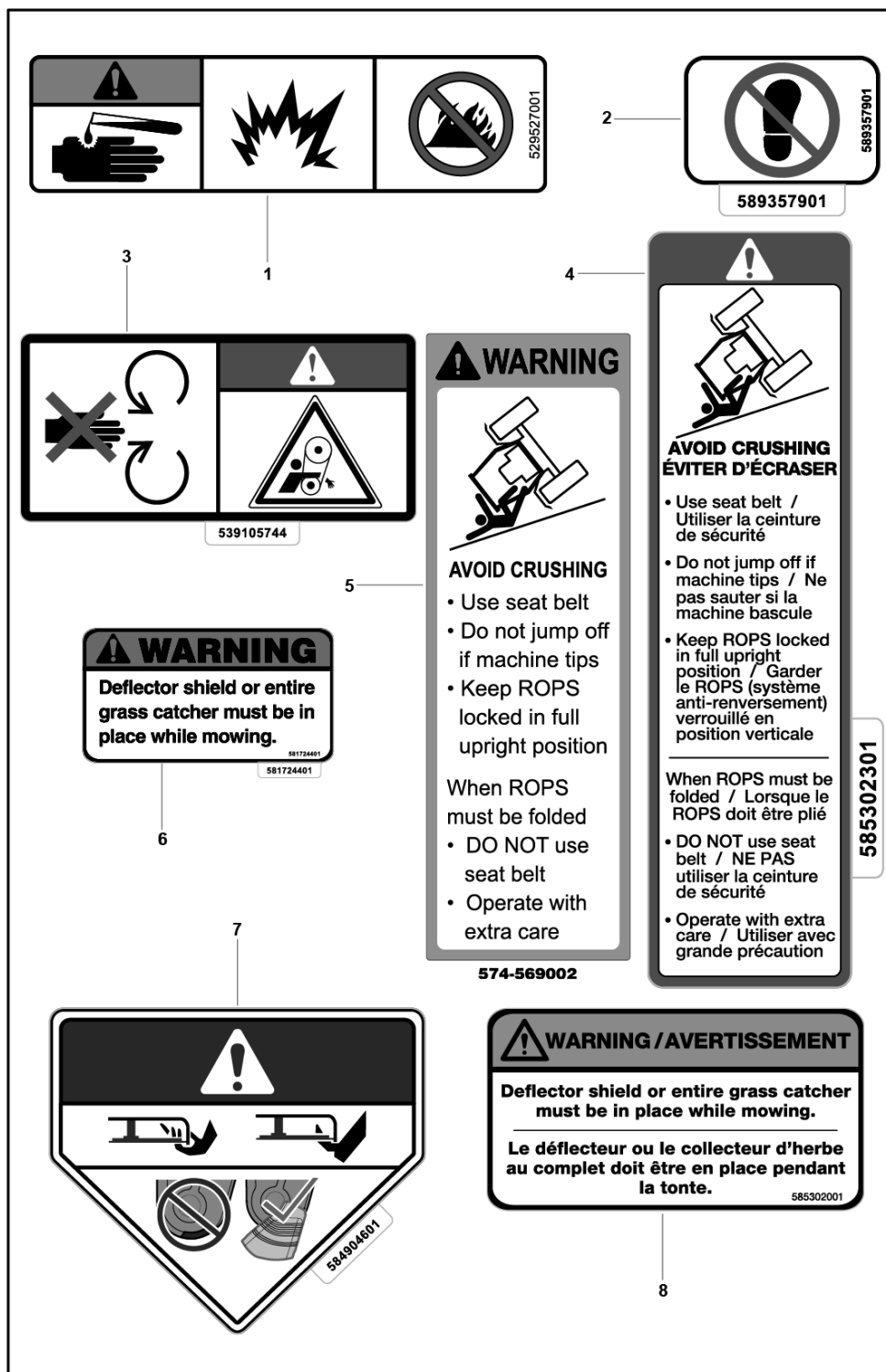


Ref.	Article N.	Description	Qty	Kit
1	590801102	DECAL	1	-
2	590846801	DECAL	1	-

<b>Ref.</b>	<b>Article N.</b>	<b>Description</b>	<b>Qty</b>	<b>Kit</b>
3	529642401	DECAL	1	-
3	529642402	DECAL	1	-
4	599845002	DECAL	1	-
5	591078901	DECAL	1	-
6	590799101	DECAL	1	-
7	599844201	DECAL	1	-
8	591429601	DECAL	1	-



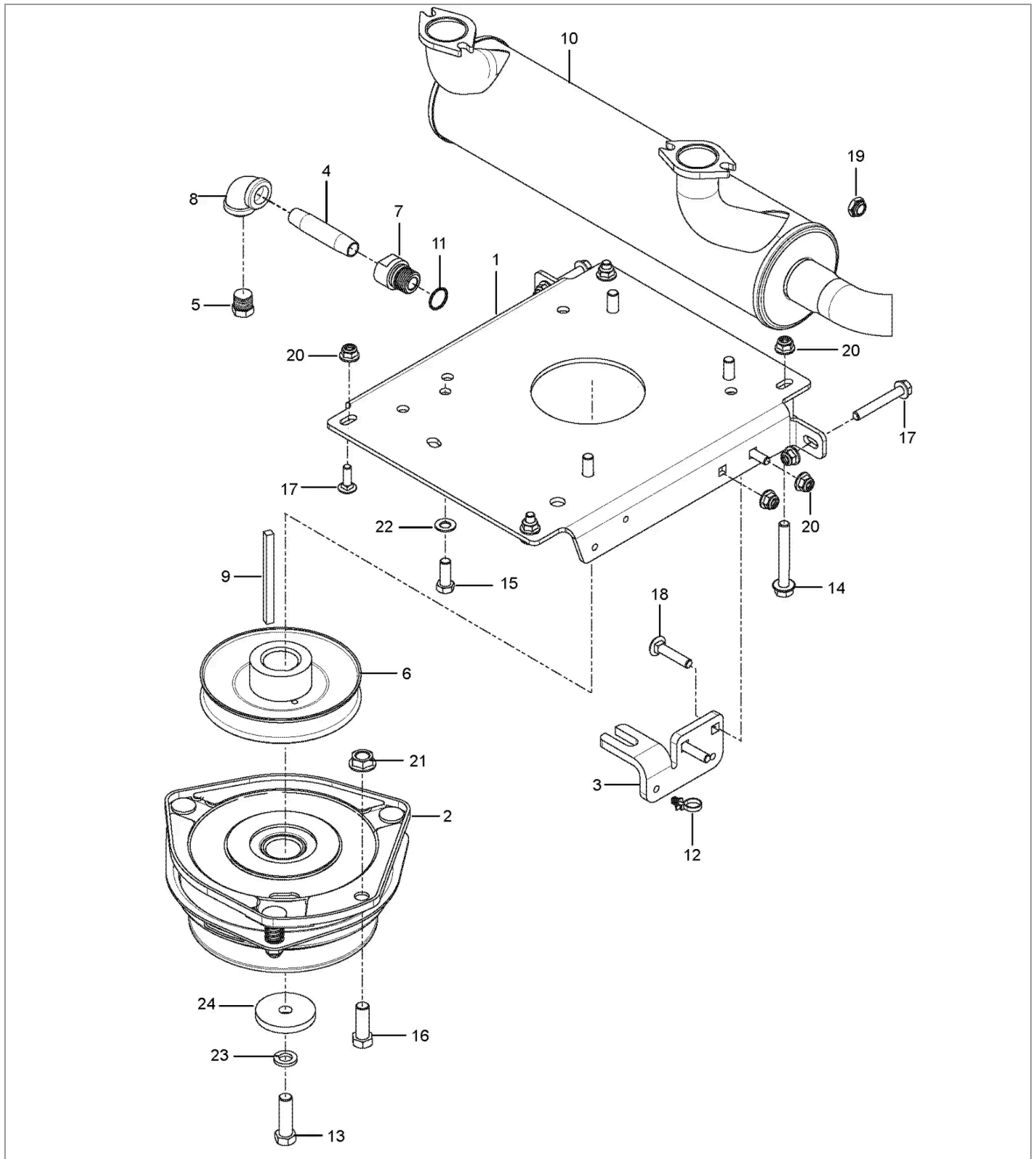
# DECALS



Ref.	Article N.	Description	Qty	Kit
1	529527001	DECAL	1	-
2	589357901	DECAL	2	-

<b>Ref.</b>	<b>Article N.</b>	<b>Description</b>	<b>Qty</b>	<b>Kit</b>
3	539105744	DECAL	2	-
4	585302301	DECAL	1	-
5	574569002	DECAL	1	-
6	581724401	DECAL	1	-
7	584904601	DECAL	1	-
8	585302001	DECAL	1	-

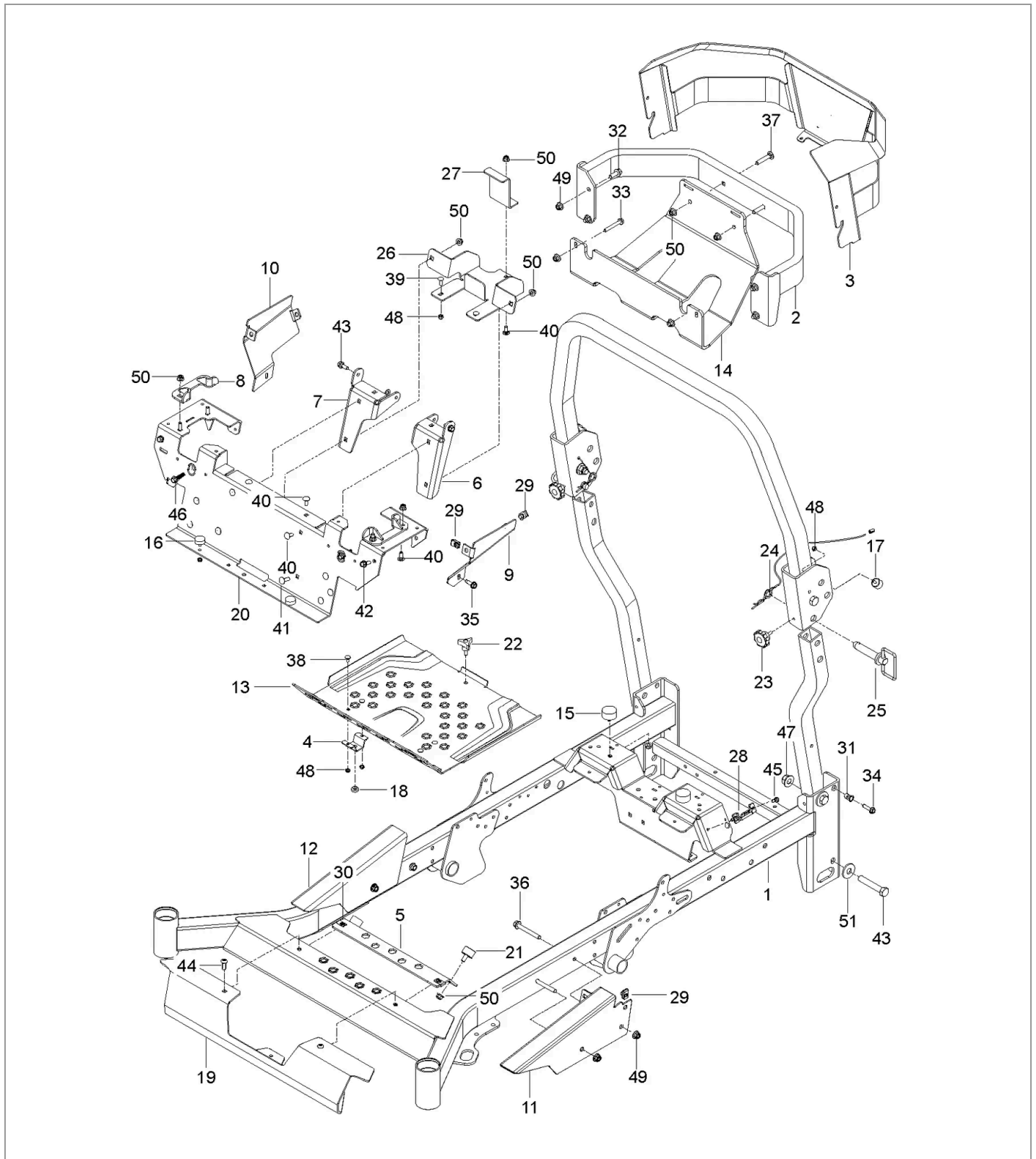
# ENGINE MOUNTING, GUARDS & MUFFLER



Ref.	Article N.	Description	Qty	Kit
1	582733302	PLATE	1	-
2	525749501	CLUTCH	1	-

<b>Ref.</b>	<b>Article N.</b>	<b>Description</b>	<b>Qty</b>	<b>Kit</b>
3	522676702	STOP	1	-
4	539118911	NIPPLE	1	-
5	522837001	PLUG	1	-
6	510019801	PULLEY	1	-
7	539119680	ADAPTER	1	-
8	539105072	90DEG.ELBOW 3/8NPT	1	-
9	525749901	KEY	1	-
10	525750401	MUFFLER	1	-
11	539109618	O-RING	1	-
12	505280001	TIE WRAP	1	-
13	581332801	BOLT	1	-
14	574233801	SCREW	4	-
15	539990563	SCREW	4	-
16	874780716	BOLT	1	-
17	539990208	SCREW	2	-
18	539102933	SCREW	2	-
19	539108120	NUT	1	-
20	539112899	NUT, 5/16-18, NYLOC	8	-
21	539102582	NUT	1	-
22	539102593	WASHER	4	-
23	539990247	WASHER	1	-
24	539125626	WASHER	1	-

# FRAME

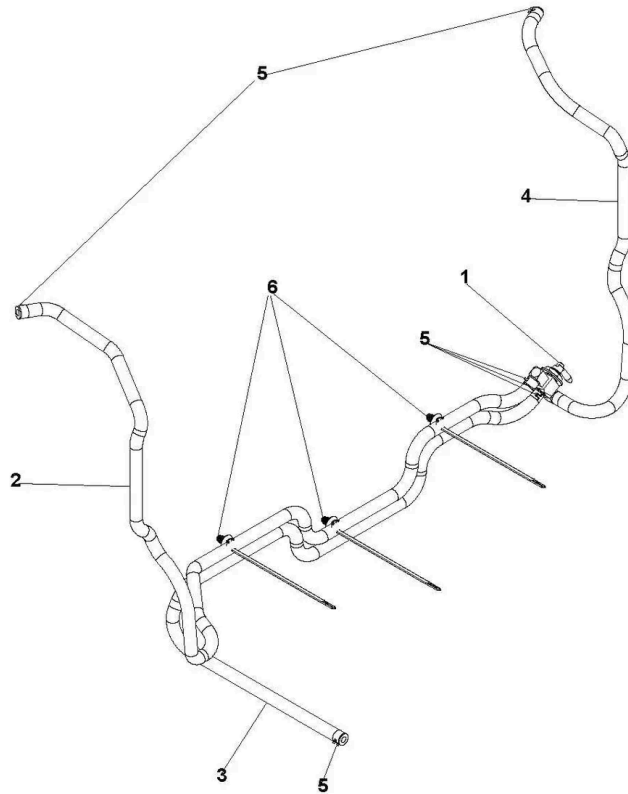
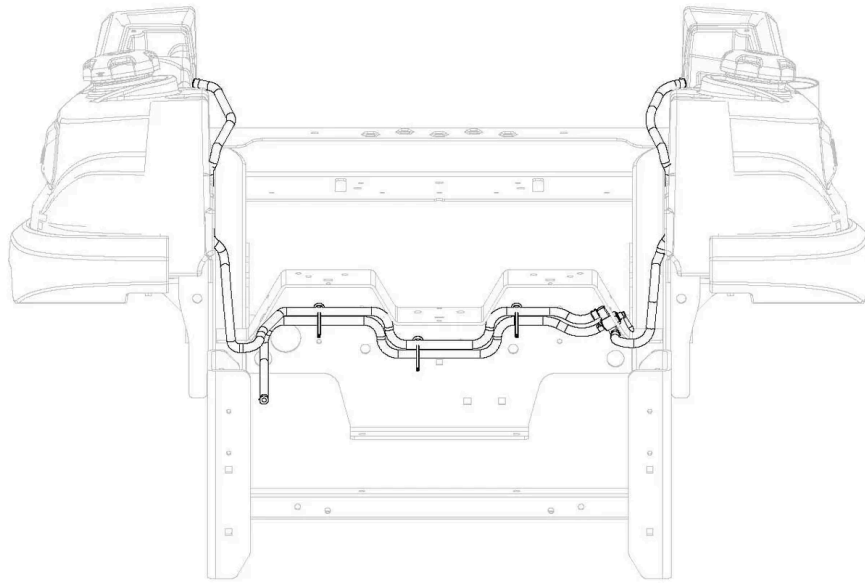


Ref.	Article N.	Description	Qty	Kit
1	591359803	FRAME w/ SAFETY DECALS	1	-
2	522675705	BUMPER	1	-

Ref.	Article N.	Description	Qty	Kit
3	574299106	GUARD	1	-
4	589808802	BRACKET	2	-
5	595528902	BRACKET	1	-
6	596789202	BRACKET	1	-
7	596789204	BRACKET	1	-
8	582481101	BRACKET	2	-
9	595327505	PANEL	1	-
10	595327506	PANEL	1	-
11	582480805	PANEL	1	-
12	582480806	PANEL	1	-
13	589304603	PLATE	1	-
14	596694103	PLATE	1	-
15	582478701	BUMPER	2	-
16	575811501	BUMPER	2	-
17	522801401	BUMPER	4	-
18	539102587	ABSORBER	2	-
19	599868702	COVER	1	-
20	582480506	CROSS MEMBER	1	-
21	589744001	ISOLATOR	2	-
22	539104411	KNOB	1	-
23	591344501	KNOB	2	-
24	591101701	PIN	2	-
25	591101601	PIN	2	-
26	596750302	PLATE	1	-
27	582460606	BRACKET <i>MX-14</i>	1	-
28	589500701	BRACKET	1	-
29	539104763	CLIP	7	-
30	589806801	NUT	2	-
31	539111028	NUTSERT 5/16-18 THICK GRIP	2	-
32	525612801	SCREW	4	-
33	574233801	SCREW	2	-
34	525544001	BOLT	2	-
35	539113226	BOLT	4	-
36	577117701	SCREW	4	-
37	539100145	BOLT	2	-
38	872140404	BOLT	4	-
39	872140406	BOLT	2	-
40	539990316	BOLT	14	-
41	539990208	SCREW	2	-
42	539110303	BOLT	4	-
43	580754601	BOLT	6	-

<b>Ref.</b>	<b>Article N.</b>	<b>Description</b>	<b>Qty</b>	<b>Kit</b>
44	589797201	SCREW	2	-
45	817490408	SCREW	2	-
46	585986101	BOLT	2	-
47	525829101	NUT	6	-
48	539976978	NUT	6	-
49	521996501	NUT	12	-
50	539112899	NUT, 5/16-18, NYLOC	21	-
51	539102653	WASHER	4	-
52	590877804	ROPS ROPS ASSY	1	-

# FUEL LINE & VALVE

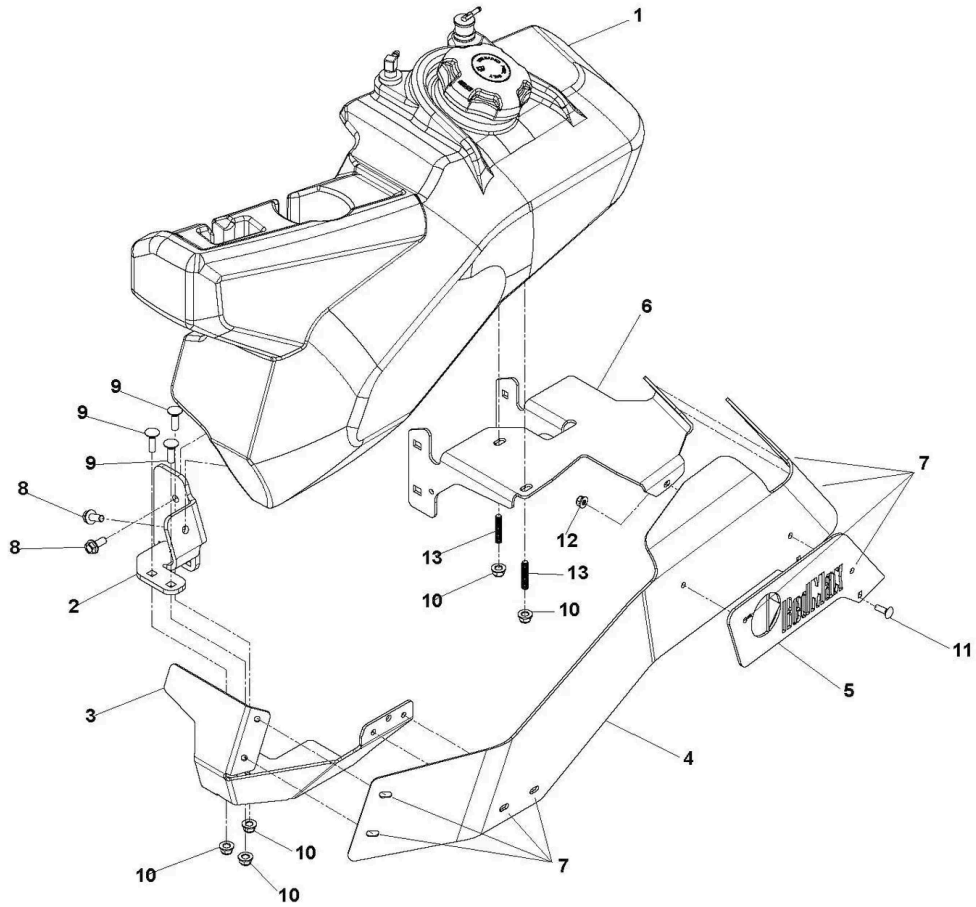


Ref.	Article N.	Description	Qty	Kit
1	598462501	VALVE	1	-
2	587044841	HOSE	1	-



<b>Ref.</b>	<b>Article N.</b>	<b>Description</b>	<b>Qty</b>	<b>Kit</b>
4	587044824	HOSE	1	-
5	539912222	CLAMP	6	-
6	591367101	CABLE	3	-

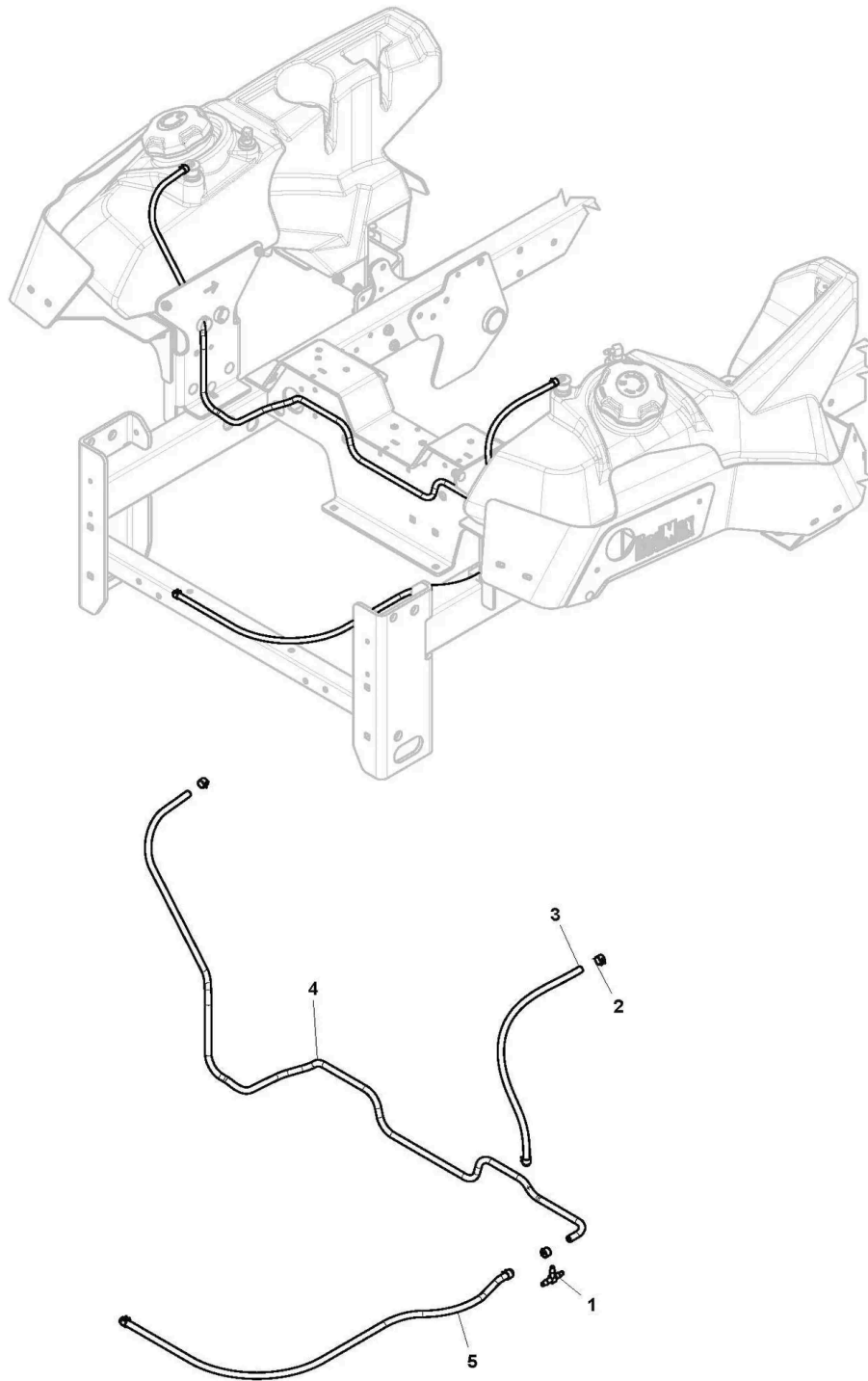
# FUEL TANK



Ref.	Article N.	Description	Qty	Kit
1	589997304	FUEL TANK ASSY LH	1	-

Ref.	Article N.	Description	Qty	Kit
1	590026004	FUEL TANK ASSY <i>RH</i>	1	-
2	529516803	BRACKET <i>LH</i>	1	-
2	529516804	BRACKET <i>RH</i>	1	-
3	529517004	GUARD <i>RH</i>	1	-
3	529517003	GUARD <i>LH</i>	1	-
4	529517103	GUARD <i>LH</i>	1	-
4	529517104	GUARD <i>RH</i>	1	-
5	529517204	GUARD <i>RH</i>	1	-
5	529517203	GUARD <i>LH</i>	1	-
6	529517404	GUARD <i>RH</i>	1	-
6	529517403	GUARD <i>LH</i>	1	-
7	588119401	RIVET	8	-
8	592858701	BOLT	2	-
9	595901501	BOLT	3	-
10	594944401	NUT	1	-
11	596238401	BOLT	1	-
12	582478602	NUT	1	-
13	582484201	SCREW	1	-

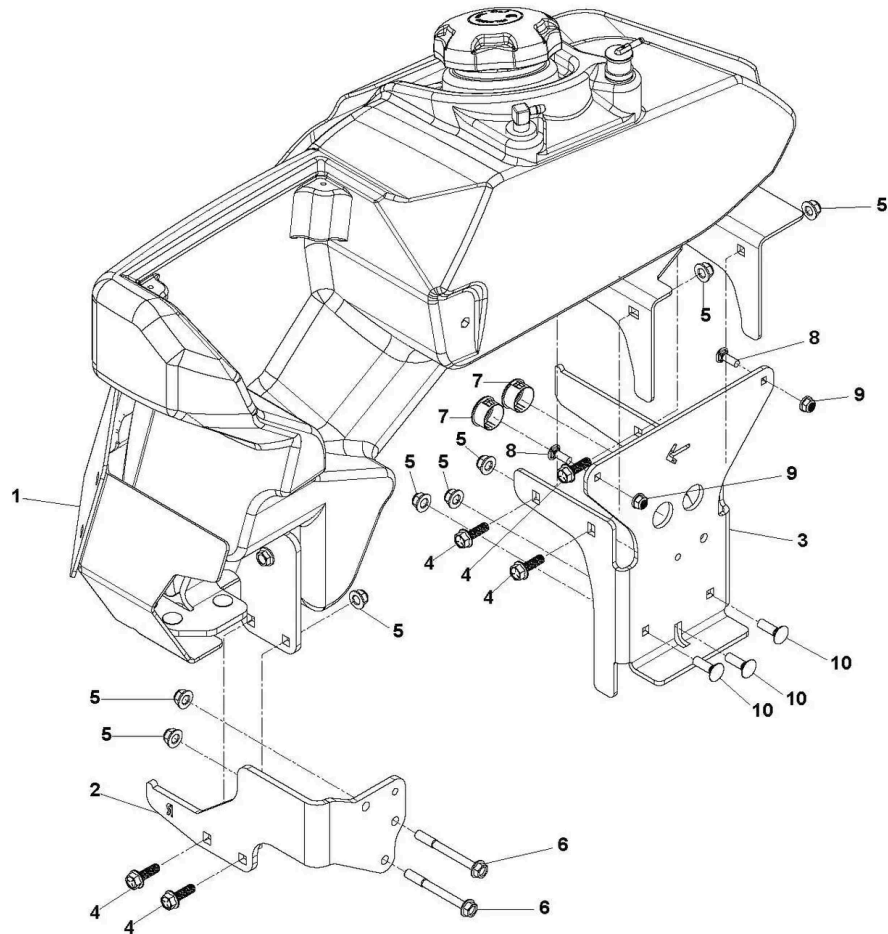
# FUEL TANK



Ref.	Article N.	Description	Qty	Kit
1	574206602	FITTING	1	-
2	575436501	CLAMP	1	-

<b>Ref.</b>	<b>Article N.</b>	<b>Description</b>	<b>Qty</b>	<b>Kit</b>
3	587044554	HOSE <i>CUT TO LENGTH</i>	1	-
4	587044554	HOSE <i>CUT TO LENGTH</i>	1	-
5	587044554	HOSE <i>CUT TO LENGTH</i>	1	-

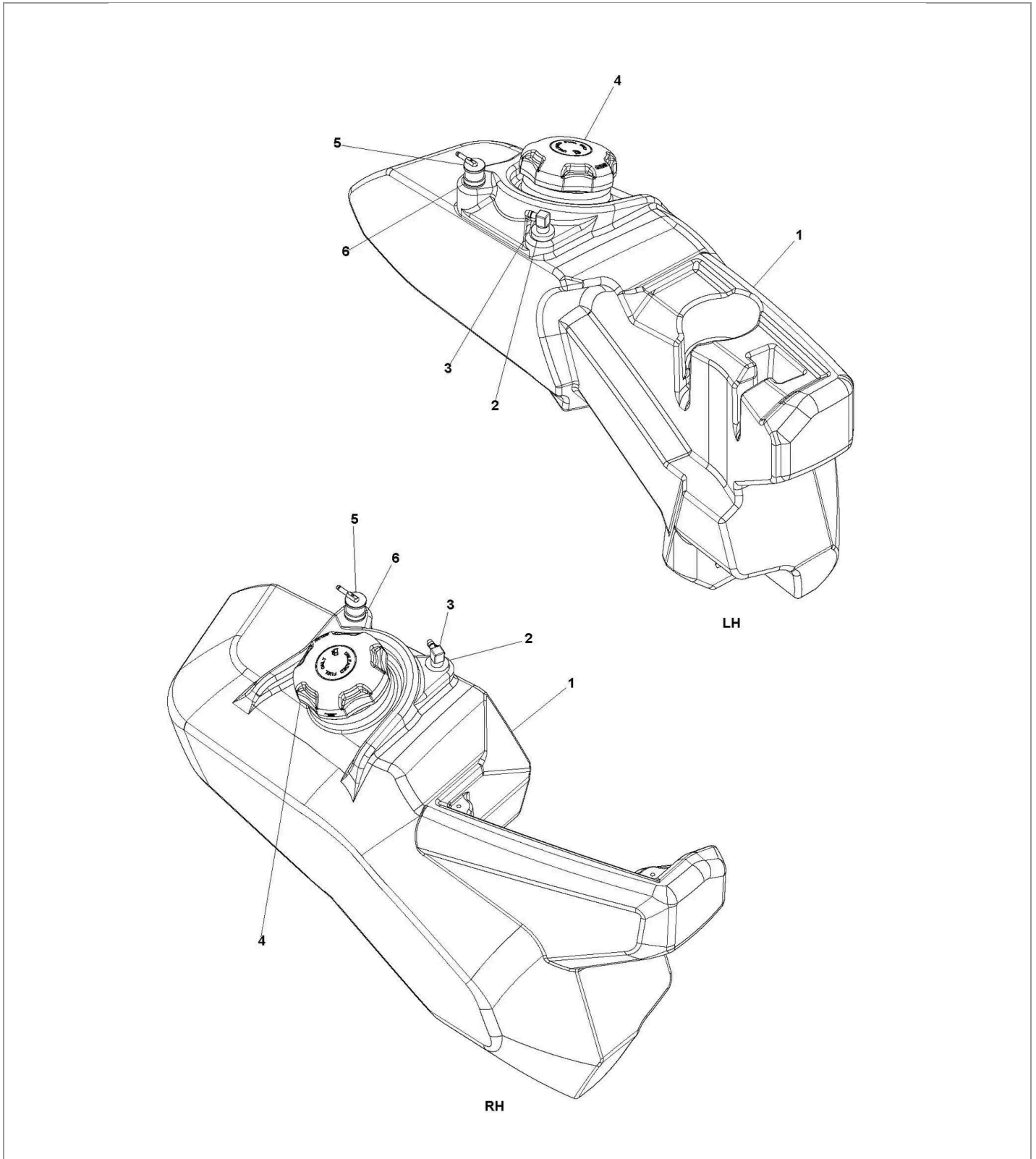
# FUEL TANK



Ref.	Article N.	Description	Qty	Kit
1	900000002	DUMMY PART	1	-
2	529516703	BRACKET	1	-

<b>Ref.</b>	<b>Article N.</b>	<b>Description</b>	<b>Qty</b>	<b>Kit</b>
2	529516704	BRACKET	1	-
3	529517704	BRACKET	1	-
3	529517703	BRACKET	1	-
4	594911801	SCREW	1	-
5	594944401	NUT	1	-
6	874490548	BOLT	1	-
7	596773901	BUSHING	1	-
8	596238401	BOLT	1	-
9	582478602	NUT	1	-
10	595901501	BOLT	1	-

# FUEL TANK PARTS

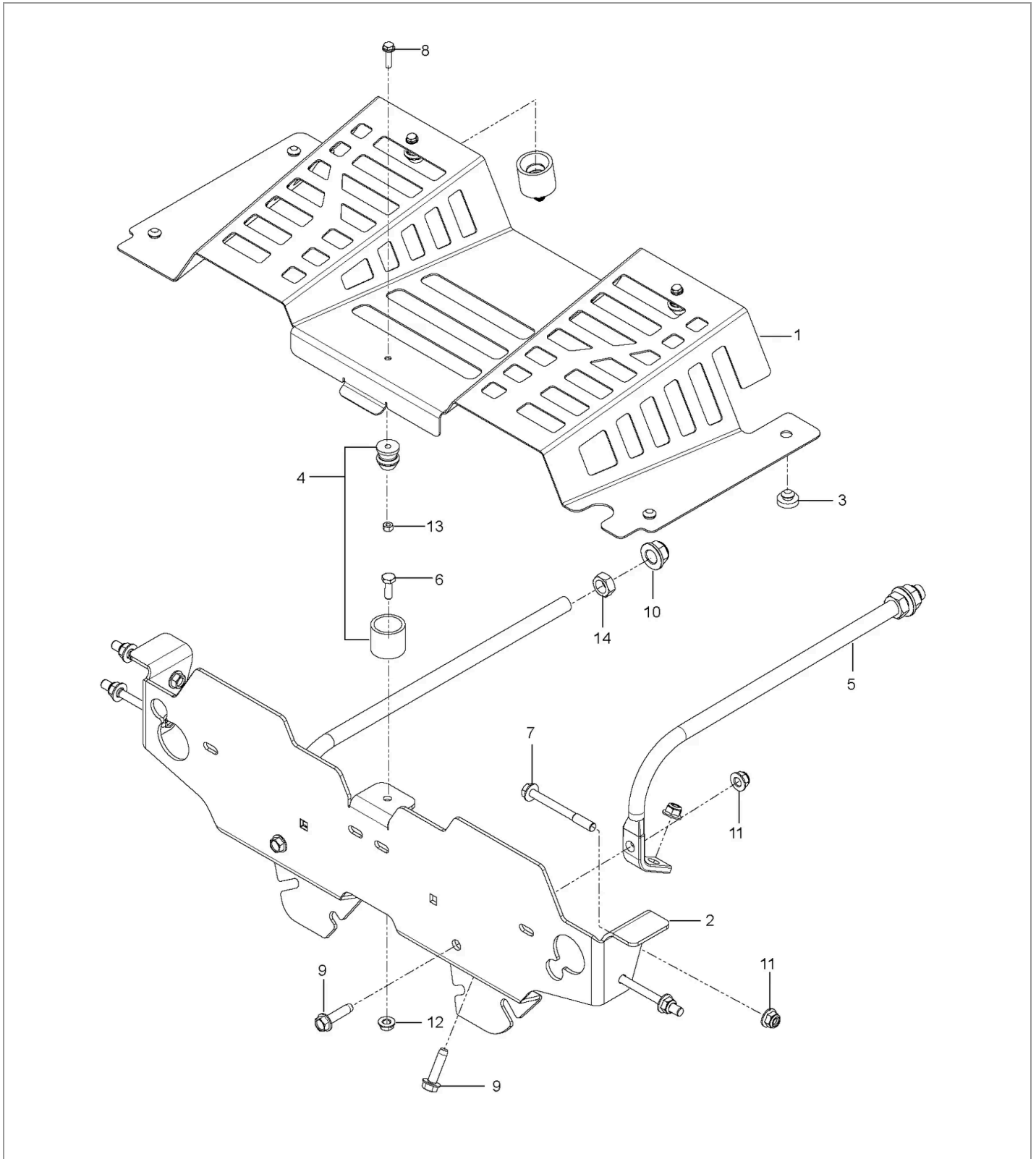


Ref.	Article N.	Description	Qty	Kit
1	589997304	FUEL TANK ASSY <i>LH</i>	1	-
2	539105245	GROMMET	2	-



<b>Ref.</b>	<b>Article N.</b>	<b>Description</b>	<b>Qty</b>	<b>Kit</b>
3	525865401	TUBE ASSY	2	-
4	575018103	CAP	2	-
5	576618101	TANK VENT	2	-
6	584648201	GROMMET	2	-

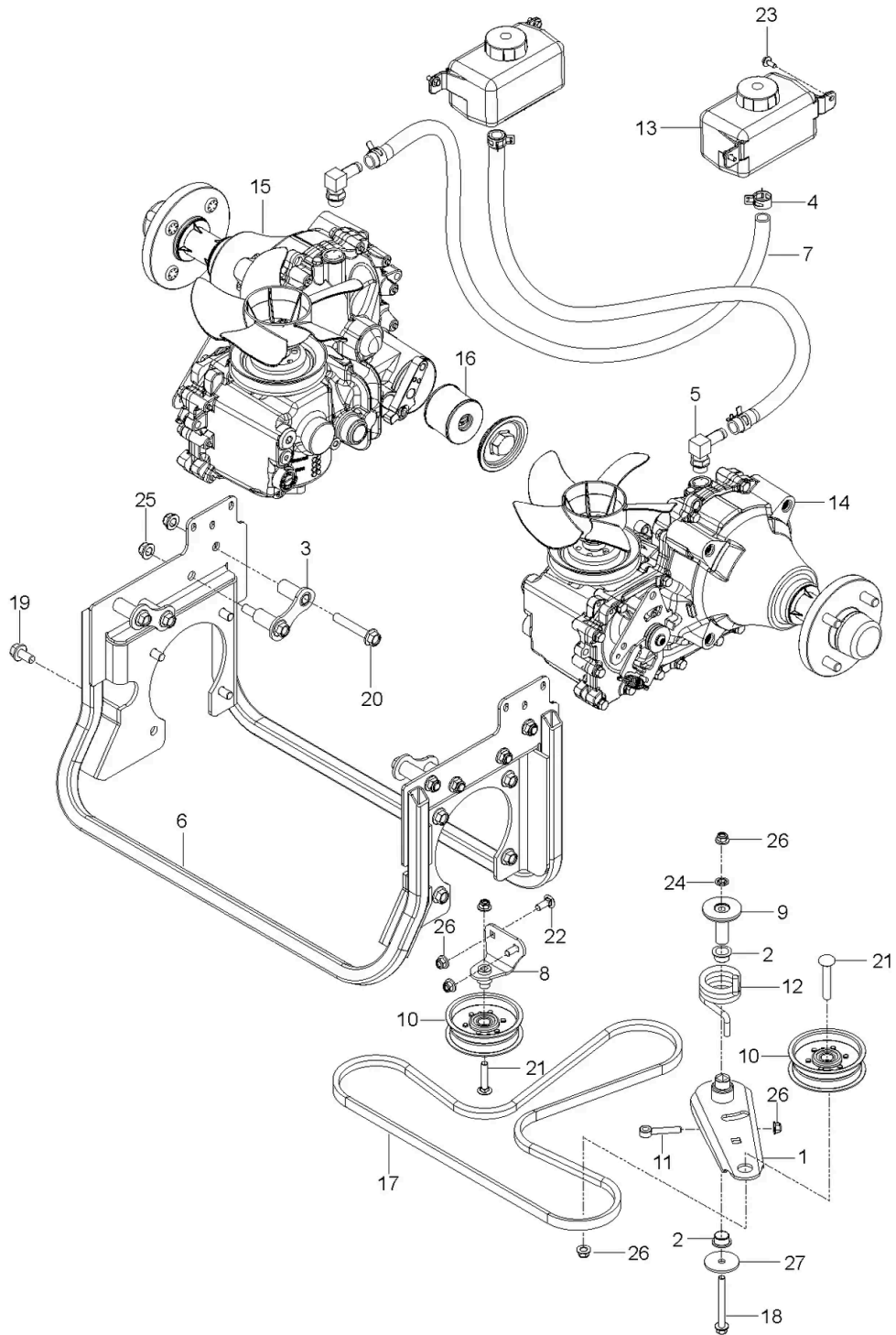
# GUARDS



Ref.	Article N.	Description	Qty	Kit
1	591359901	SHIELD	1	-
2	582461206	BRACKET	1	-

<b>Ref.</b>	<b>Article N.</b>	<b>Description</b>	<b>Qty</b>	<b>Kit</b>
3	539102587	ABSORBER	4	-
4	582461701	HOLDER ASSY	3	-
5	582461303	ROD	2	-
6	874780412	BOLT	3	-
7	874490548	BOLT	4	-
8	503200001	SCREW EHHFM	3	-
9	587592101	SCREW	4	-
10	521991101	NUT	2	-
11	539112899	NUT, 5/16-18, NYLOC	8	-
12	532191730	NUT	3	-
13	731231405	HEXAGON NUT	3	-
14	873350800	NUT	2	-

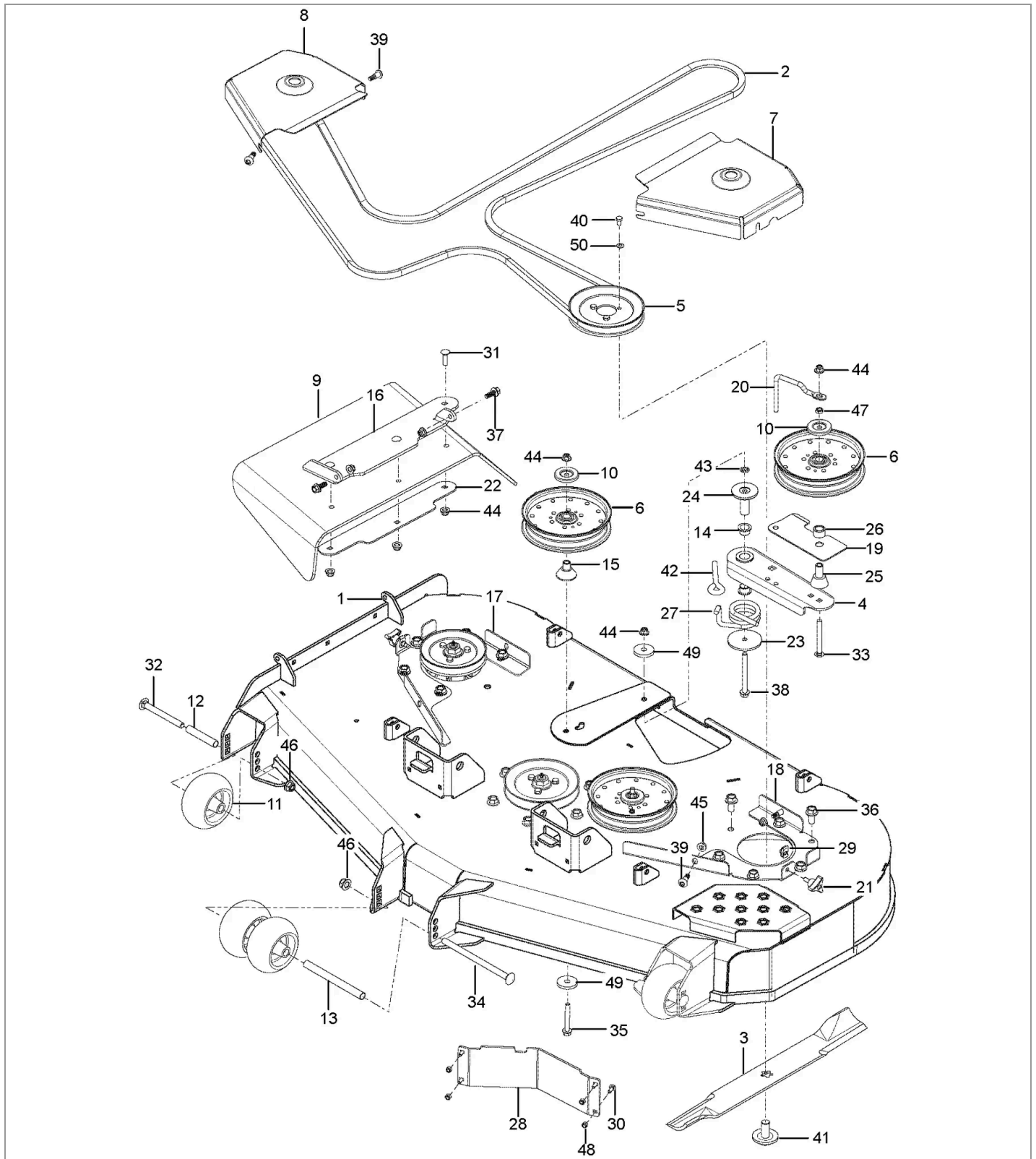
# HYDRAULIC PUMP - MOTOR



Ref.	Article N.	Description	Qty	Kit
1	582463102	ARM	1	-
2	501603701	BEARING	2	-

<b>Ref.</b>	<b>Article N.</b>	<b>Description</b>	<b>Qty</b>	<b>Kit</b>
3	582479102	BRACKET	4	-
4	582480101	CLAMP	4	-
5	529311401	FITTING	2	-
6	582479404	FRAME	1	-
7	582480204	HOSE	2	-
8	586933802	MOUNT	1	-
9	582468101	SHAFT	1	-
10	587654101	PULLEY	2	-
11	582716201	ROD END	1	-
12	582468401	SPRING	1	-
13	574499201	TANK	2	-
14	582480001	TRANSMISSION	1	-
15	582480002	TRANSMISSION	1	-
16	576127201	FILTER	1	-
17	582480402	V-BELT	1	-
18	874490652	SCREW	1	-
19	574210601	SCREW	8	-
20	874490848	SCREW	8	-
21	539100145	BOLT	2	-
22	539990645	BOLT	2	-
23	532165857	SCREW	4	-
24	539913847	BOLT	1	-
25	521991101	NUT	8	-
26	521996501	NUT	6	-
27	819133210	WASHER	1	-

# MOWER DECK / CUTTING DECK



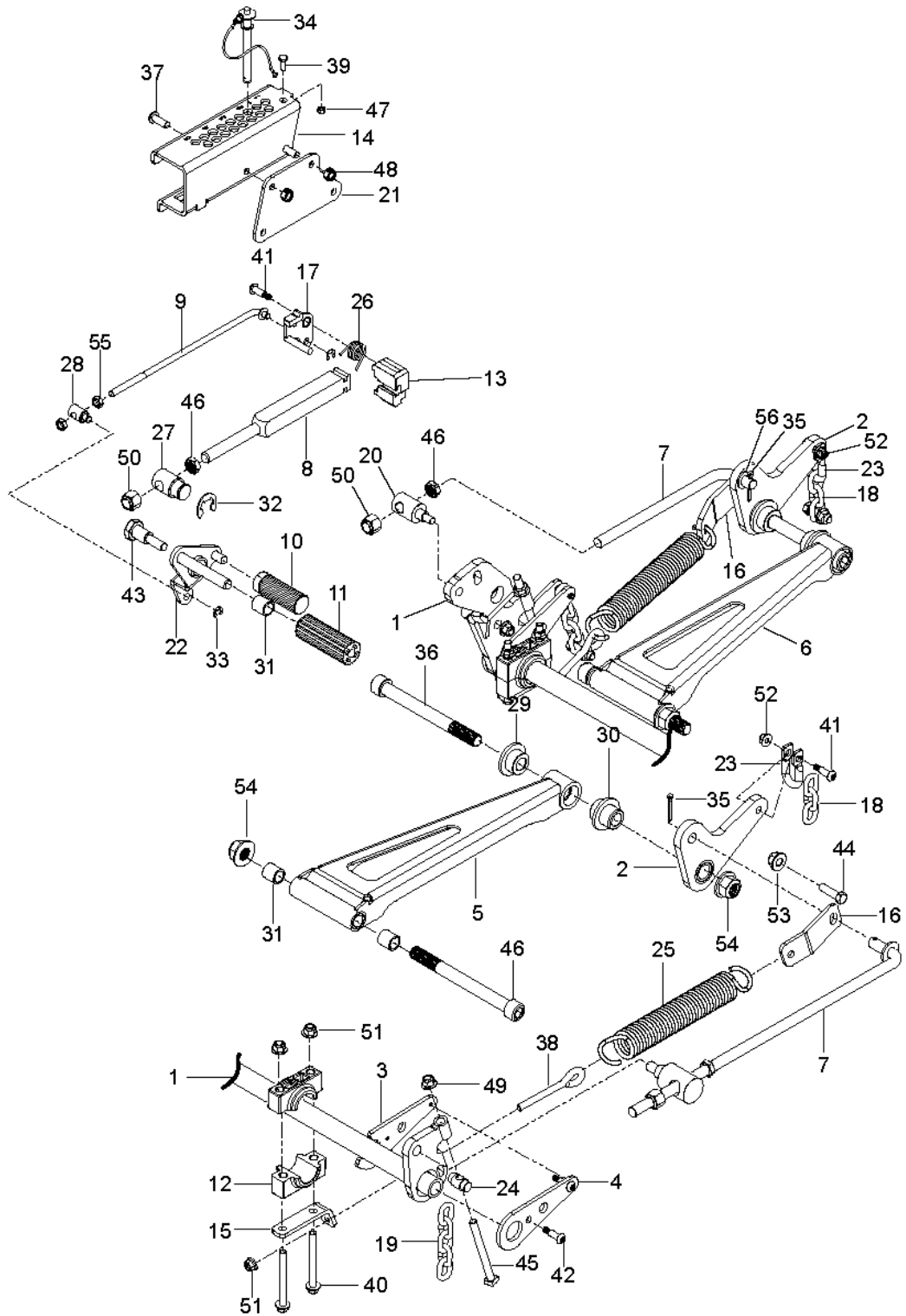
Ref.	Article N.	Description	Qty	Kit
1	591359708	CUTTING DECK	1	-
2	588264801	DRIVE BELT	1	-

Ref.	Article N.	Description	Qty	Kit
3	539105711	BLADE	3	-
4	582462702	ARM	1	-
5	539130646	PULLEY	3	-
6	510015101	PULLEY	3	-
7	582463007	PULLEY	1	-
8	582463008	PULLEY	1	-
9	582468801	CHUTE	1	-
10	510254501	SHIELD	3	-
11	574169601	ROLLER	6	-
12	574196401	TUBE	4	-
13	574196501	TUBE	1	-
14	539131518	BEARING	2	-
15	510263701	BEARING	2	-
16	582467303	BRACKET	1	-
17	582463209	BRACKET	1	-
18	582463210	BRACKET	1	-
19	582472502	BELT GUARD	1	-
20	582470201	KEEPER	1	-
21	539104411	KNOB	2	-
22	590523702	PLATE	1	-
23	582466401	PLATE	1	-
24	582468101	SHAFT	1	-
25	582468301	SPACER	1	-
26	589455201	SPACER	1	-
27	582468001	SPRING	1	-
28	510437502	BAFFLE	1	-
29	539104763	CLIP	2	-
30	539115620	1/4-20X3/4 CARR BLT	4	-
31	872140610	BOLT	3	-
32	510022301	SCREW	4	-
33	872140628	BOLT	2	-
34	872140864	BOLT	1	-
35	874490644	BOLT	2	-
36	574210601	SCREW	18	-
37	525612801	SCREW	2	-
38	521996601	SCREW	1	-
39	582476401	SCREW	4	-
40	539130315	BOLT	9	-
41	539119007	SCREW	3	-
42	574202001	BOLT	1	-
43	539913847	BOLT	1	-

<b>Ref.</b>	<b>Article N.</b>	<b>Description</b>	<b>Qty</b>	<b>Kit</b>
44	521996501	NUT	10	-
45	539112899	NUT, 5/16-18, NYLOC	4	-
46	521991101	NUT	5	-
47	539109332	NUT	1	-
48	539976978	NUT	4	-
49	539106504	WASHER	2	-
50	539109600	WASHER	9	-



# MOWER LIFT / DECK LIFT

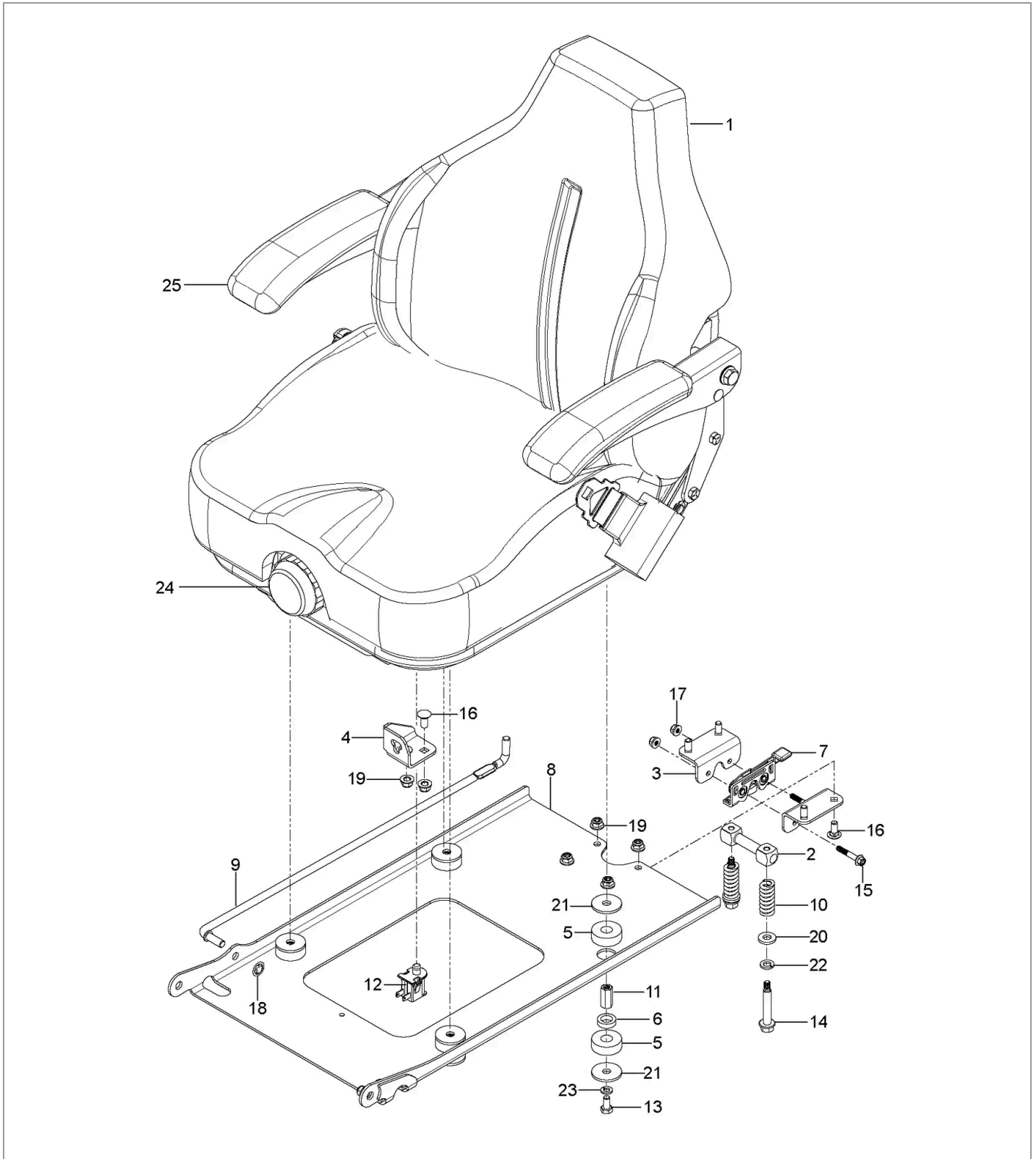


Ref.	Article N.	Description	Qty	Kit
1	582462602	SHAFT	1	-
2	592654001	ARM	1	-

Ref.	Article N.	Description	Qty	Kit
2	592654002	ARM	1	-
3	582465402	ARM	2	-
4	582463902	ARM	2	-
5	582462001	ARM	1	-
6	582462002	ARM	1	-
7	599603101	ROD	2	-
8	582472801	ROD	1	-
9	582471401	ROD	1	-
10	510408301	PEDAL	1	-
11	510089501	PAD	1	-
12	510023902	BLOCK	4	-
13	582467201	BLOCK	1	-
14	582466903	BRACKET	1	-
15	582468902	BRACKET	2	-
16	593091902	BRACKET	2	-
17	592654101	LEVER	1	-
18	539109693	LIFT CHAIN - 3 LINK	2	-
19	539102641	CHAIN	2	-
20	582464801	PIVOT	2	-
21	582763903	PLATE	1	-
22	589453201	LEVER ASSY	1	-
23	582469001	SHACKLE	2	-
24	582464201	SHAFT	2	-
25	593091801	SPRING	2	-
26	582471301	SPRING	1	-
27	582467001	SWIVEL	1	-
28	582467101	SWIVEL	1	-
29	582469901	BUSHING	2	-
30	582469801	BUSHING	2	-
31	510089201	BUSHING	5	-
32	539912730	RING	1	-
33	539990870	RING	2	-
34	590465502	PIN	1	-
35	539102889	SPLIT PIN	2	-
36	582466701	SCREW	4	-
37	582472601	SCREW	2	-
38	574202001	BOLT	2	-
39	539990580	SCREW	1	-
40	589786001	SCREW	4	-
41	501064102	SCREW	3	-
42	501064101	SCREW	4	-

<b>Ref.</b>	<b>Article N.</b>	<b>Description</b>	<b>Qty</b>	<b>Kit</b>
43	510408201	BOLT	1	-
44	539101175	SCREW	4	-
45	582465601	SCREW	2	-
46	589677701	NUT	3	-
47	539976978	NUT	1	-
48	539990546	NUT	2	-
49	539119124	NUT	4	-
50	594977001	NUT	3	-
51	521996501	NUT	6	-
52	539112899	NUT, 5/16-18, NYLOC	2	-
53	539132019	NUT	4	-
54	582466601	NUT	4	-
55	539108732	NUT 3/8-24 HEX JAM ZD	2	-
56	819211616	WASHER	2	-

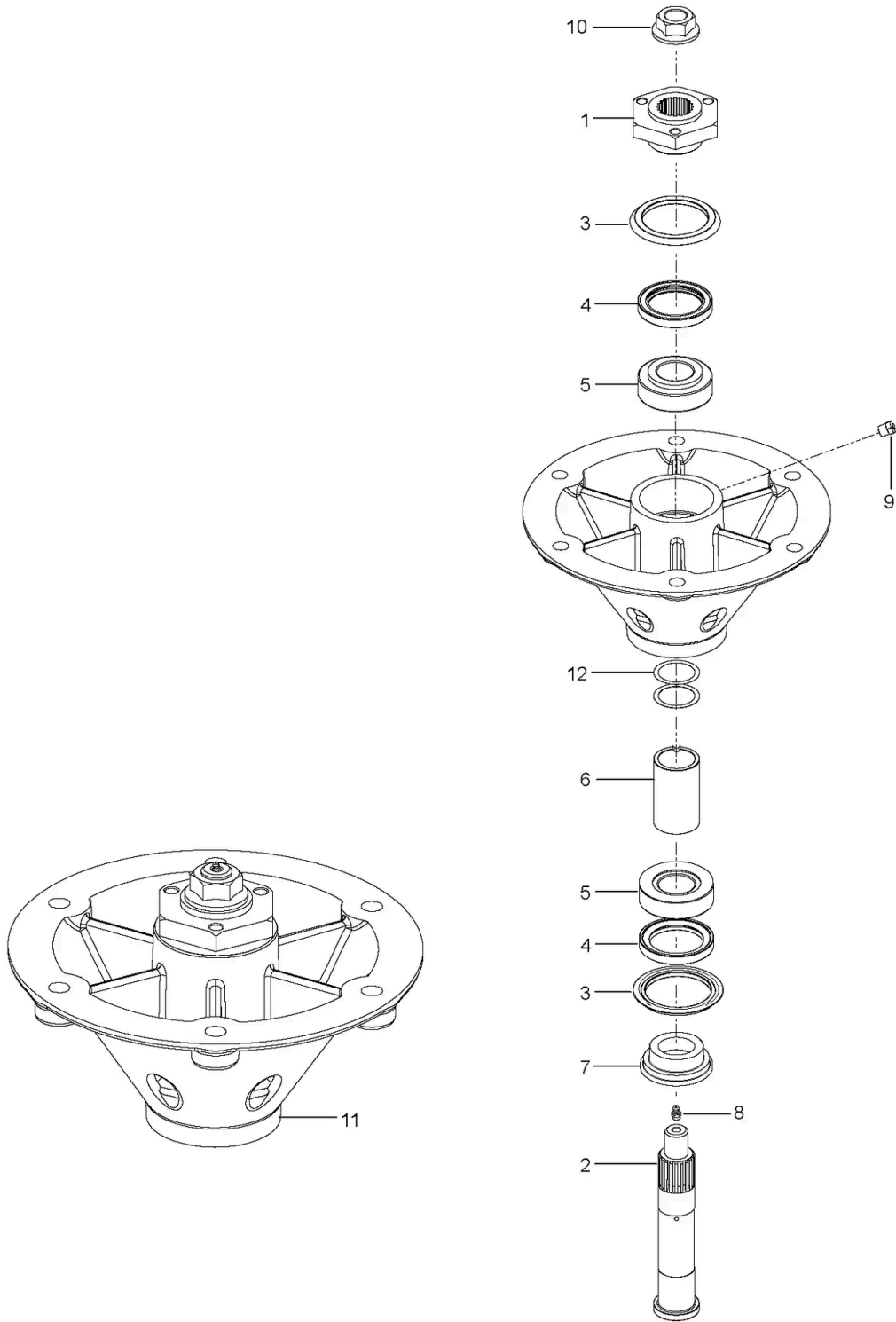
# SEAT



Ref.	Article N.	Description	Qty	Kit
1	590899806	SEAT	1	-
2	582478801	BAR	1	-

Ref.	Article N.	Description	Qty	Kit
3	582478201	BRACKET	2	-
4	590555002	BRACKET	1	-
5	590481801	ISOLATOR	8	-
6	539116377	INSERT	4	-
7	590373501	LATCH	1	-
8	590506802	PLATE	1	-
9	590507201	ROD	1	-
10	539113952	SPRING	2	-
11	582478101	NUT	4	-
12	532192749	SWITCH	1	-
13	539108392	HCS 5/16-18 X 5/8 GR 5 ZD	4	-
14	582478901	SCREW	2	-
15	582478501	SCREW	2	-
16	539990316	BOLT	8	-
17	582478601	NUT	2	-
18	539913847	BOLT	1	-
19	539112899	NUT, 5/16-18, NYLOC	6	-
20	522023401	WASHER	2	-
21	532413524	WASHER	8	-
22	539990118	WASHER	2	-
23	539990187	WASHER	4	-
24	579866109	SEAT ASSY <i>Knob</i>	1	-
25	579866108	SEAT ASSY <i>REPLACEMENT PAD ONLY</i>	2	-

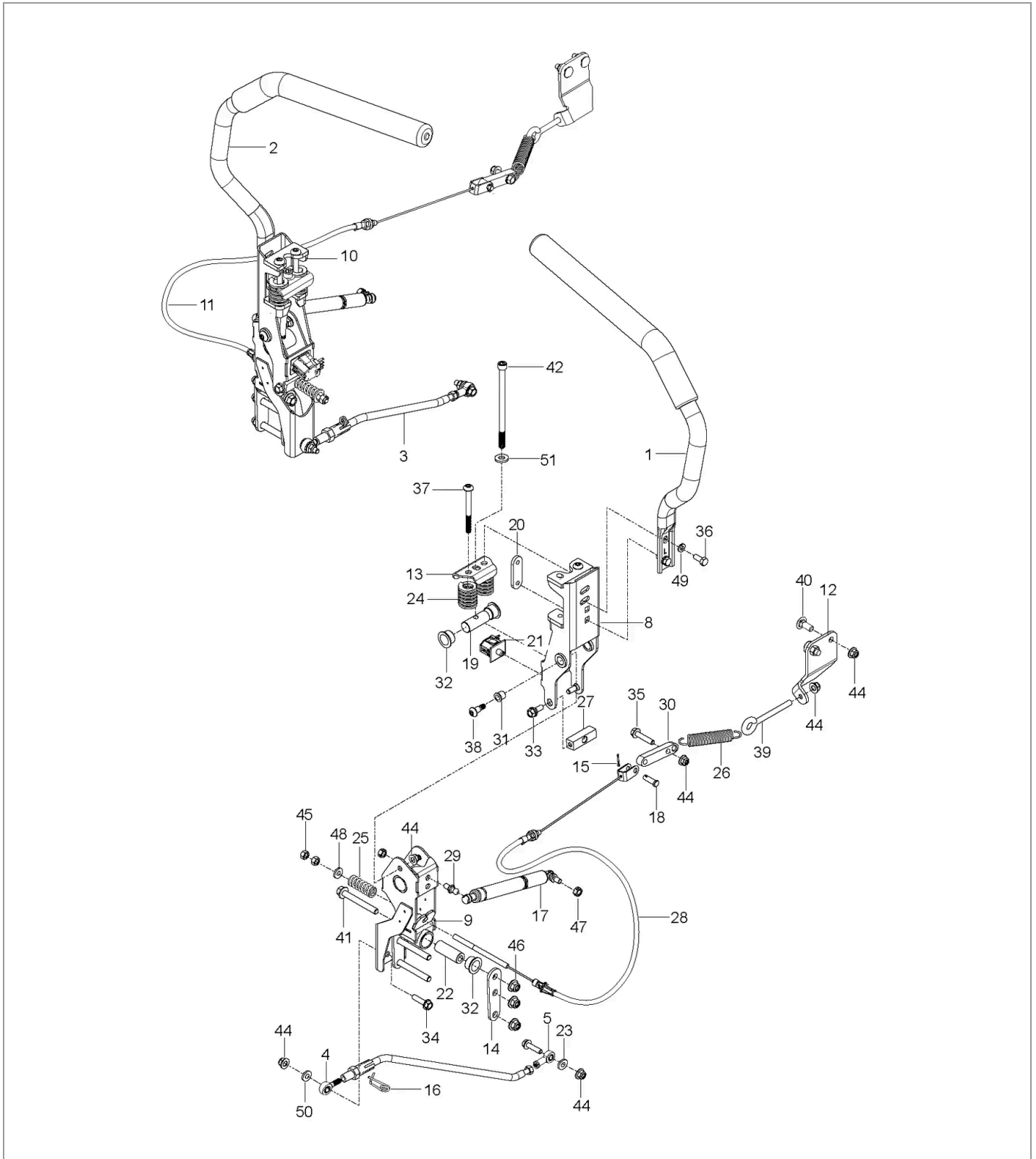
# SPINDLE



Ref.	Article N.	Description	Qty	Kit
1	580942201	HUB	3	-
2	580942101	SHAFT	3	-

Ref.	Article N.	Description	Qty	Kit
3	580942701	V-RING	6	-
4	580942601	SEAL	6	-
5	583911101	BEARING KIT <i>ALSO ORDER TOOL KIT</i>	3	-
6	580942301	SPACER	3	-
7	580942501	CARRIER	3	-
8	539976998	NIPPLE	3	-
9	539977326	FITTING	3	-
10	539130653	NUT	3	-
11	580943306	SPINDLE	3	-
12	580942801	SHIM	1	-

# STEERING



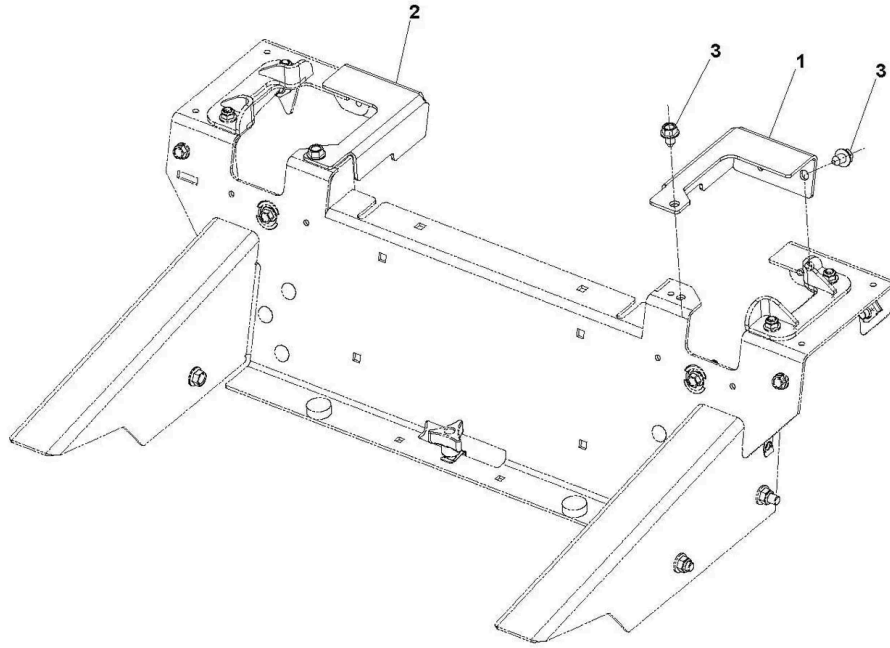
Ref.	Article N.	Description	Qty	Kit
1	582475501	LEVER	1	-
2	582475502	LEVER	1	-



Ref.	Article N.	Description	Qty	Kit
3	592653702	CONTROL	1	-
4	588692502	ROD	2	-
5	579764601	JOINT	2	-
8	592653801	CARRIER <i>w/BEARINGS LEFT</i>	1	-
9	592653901	CARRIER	2	-
10	592724001	CONTROL	1	-
11	592653501	PARKING BRAKE	1	-
12	582477802	BRACKET	1	-
13	582476901	BRACKET	2	-
14	582475102	BRACKET	4	-
15	532169484	PIN	2	-
16	582551901	CLIP	2	-
17	588775401	DAMPER	2	-
18	582477401	PIN	2	-
19	589505101	PIVOT	2	-
20	589489601	RETAINER	2	-
21	589500901	SWITCH	2	-
22	582475001	SPACER	2	-
23	582711303	SPACER	2	-
24	582477001	SPRING	4	-
25	532151332	SPRING	2	-
26	582477701	SPRING	2	-
27	582477201	YOKE	2	-
28	582477501	CABLE	2	-
29	539110607	STUD	4	-
30	582477601	BRACKET	2	-
31	582476801	BEARING	4	-
32	539131518	BEARING	8	-
33	539110303	BOLT	4	-
34	525544001	BOLT	4	-
35	525465401	SCREW	2	-
36	539976934	SCREW	4	-
37	582477101	SCREW	4	-
38	582476401	SCREW	2	-
39	539115574	EYE BOLT	2	-
40	539990208	SCREW	4	-
41	577117701	SCREW	6	-
42	589505601	SCREW	2	-
44	539112899	NUT, 5/16-18, NYLOC	14	-
45	539990223	NUT	4	-
46	521996501	NUT	6	-

<b>Ref.</b>	<b>Article N.</b>	<b>Description</b>	<b>Qty</b>	<b>Kit</b>
47	539990184	NUT	4	-
48	539990692	WASHER	2	-
49	539990187	WASHER	4	-
50	819111116	WASHER	2	-
51	522023401	WASHER	2	-

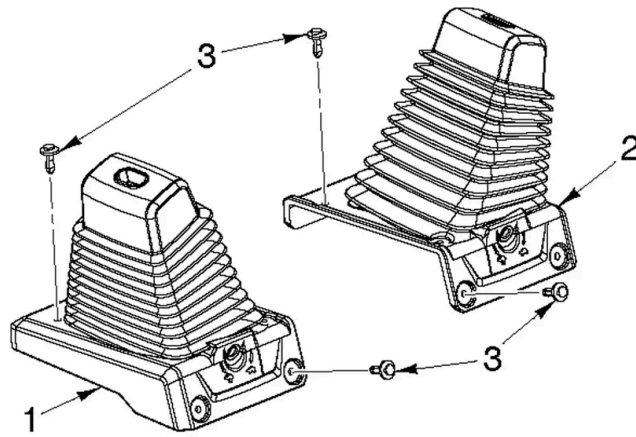
# STEERING



Ref.	Article N.	Description	Qty	Kit
1	599893005	COVER	1	-
2	599893006	COVER	1	-

<b>Ref.</b>	<b>Article N.</b>	<b>Description</b>	<b>Qty</b>	<b>Kit</b>
3	596564002	BOLT	4	-

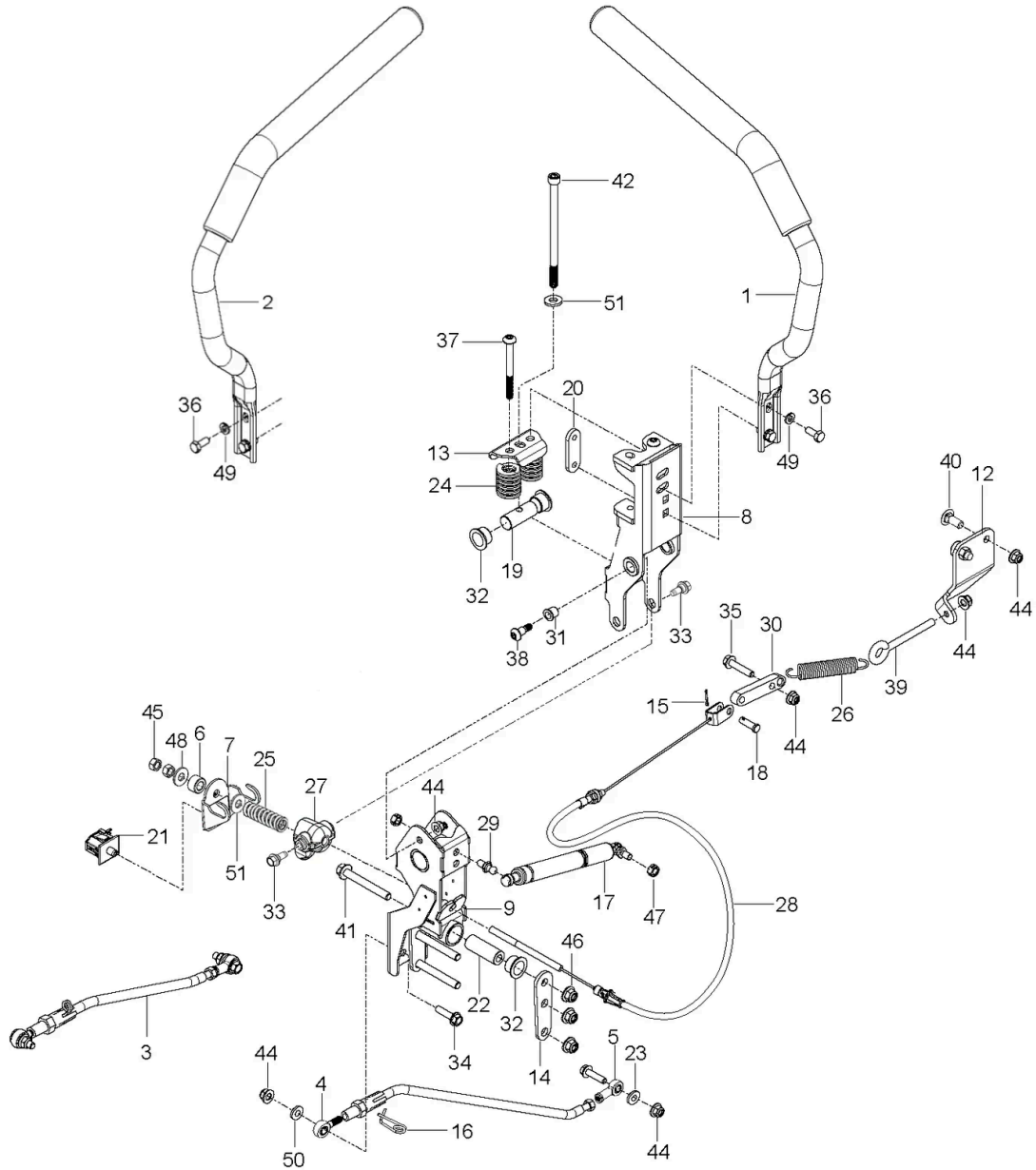
# STEERING - BELLOWS



Ref.	Article N.	Description	Qty	Kit
1	582484101	BELLOWS	1	-
2	582484001	BELLOWS	1	-

<b>Ref.</b>	<b>Article N.</b>	<b>Description</b>	<b>Qty</b>	<b>Kit</b>
3	582482901	RIVET	1	-

# STEERING - CONTROLS AND DAMPER



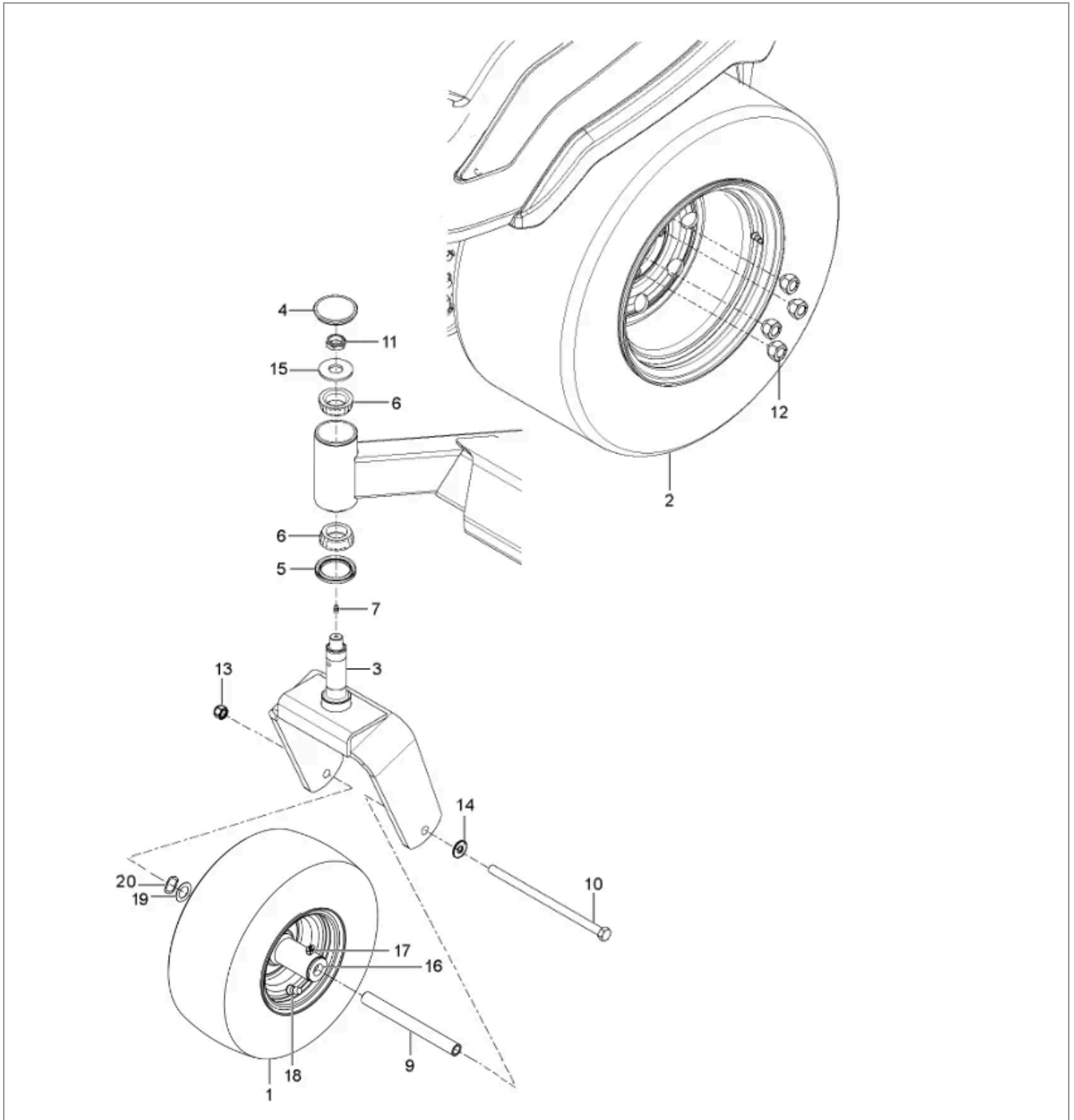
Ref.	Article N.	Description	Qty	Kit
1	582475501	LEVER LEFT	1	-

Ref.	Article N.	Description	Qty	Kit
2	582475502	LEVER <i>RIGHT</i>	1	-
3	596925601	ROD <i>RIGHT SIDE ASSY</i>	1	-
3	596925701	ROD <i>LEFT SIDE ASSY</i>	1	-
3	598852501	SERVICE KIT <i>COUPLER KIT. CONTAINS (2) COUPLERS THAT FITS BOTH LH/RH SIDES. REF # 4 SCREWS INTO COUPLER.</i>	1	-
4	588692502	ROD <i>ROD.END.MALE.LH.THREAD</i>	2	-
5	579764601	JOINT <i>JOINT.RH.THREAD.FEMALE.5/16</i>	2	-
6	539923515	SPACER	2	-
7	597744702	BRACKET	2	-
8	592653801	CARRIER <i>w/BEARINGS LEFT</i>	1	-
8	592653802	CARRIER <i>w/BEARINGS RIGHT</i>	1	-
9	592653901	CARRIER	2	-
12	582477802	BRACKET <i>LEFT</i>	1	-
12	582477804	BRACKET <i>RIGHT</i>	1	-
13	582476902	BRACKET	2	-
14	582475102	BRACKET	4	-
15	587225301	PIN	2	-
16	582551901	CLIP	2	-
17	588775401	DAMPER	2	-
18	582477401	PIN	2	-
19	589505102	PIVOT	2	-
20	589489601	RETAINER	2	-
21	589500902	SWITCH	2	-
22	582475001	SPACER	2	-
23	582711303	SPACER	2	-
24	582477001	SPRING	4	-
25	532151332	SPRING	2	-
26	582477702	SPRING	2	-
27	597744501	ADAPTER	2	-
28	582477501	CABLE	2	-
29	539110607	STUD	4	-
30	582477602	BRACKET	2	-
31	582476801	BEARING	4	-
32	539131518	BEARING	8	-
33	532170165	BOLT	4	-
34	525544001	BOLT	4	-



<b>Ref.</b>	<b>Article N.</b>	<b>Description</b>	<b>Qty</b>	<b>Kit</b>
35	525465402	SCREW	2	-
36	539976934	SCREW	4	-
37	582477102	SCREW	4	-
38	582476401	SCREW	4	-
39	596240801	BOLT	2	-
40	595901501	BOLT	4	-
41	577117701	SCREW	2	-
42	589505602	SCREW	2	-
44	594944401	NUT	14	-
45	596040901	HEXAGON NUT	4	-
46	521996502	NUT	6	-
47	539990184	NUT	4	-
48	596134901	WASHER	2	-
49	539990187	WASHER	4	-
50	596204101	WASHER	2	-
51	522023401	WASHER	4	-

# WHEELS AND TIRES



Ref.	Article N.	Description	Qty	Kit
1	597383801	SERVICE KIT	2	-
1	599156702	TIRE	2	-
2	510154502	WHEEL RIM	2	-
2	591091701	TIRE	2	-
3	525611905	FORK	2	-

<b>Ref.</b>	<b>Article N.</b>	<b>Description</b>	<b>Qty</b>	<b>Kit</b>
4	510034001	CAP	2	-
5	510034301	SEAL	2	-
6	510034403	BEARING	4	-
7	596623501	VALVE	2	-
9	575334901	SPACER	2	-
10	594946501	BOLT	2	-
11	522842602	NUT	2	-
12	587653902	NUT	8	-
13	521991102	NUT	2	-
14	595086801	WASHER	2	-
15	574824701	WASHER	2	-
16	539102484	BEARING	4	-
16	539105307	ROLLER BEARING	4	-
17	596623501	VALVE	2	-
18	539912234	VALVE	2	-
19	599405101	SHIM	2	-
20	539133007	WASHER	2	-