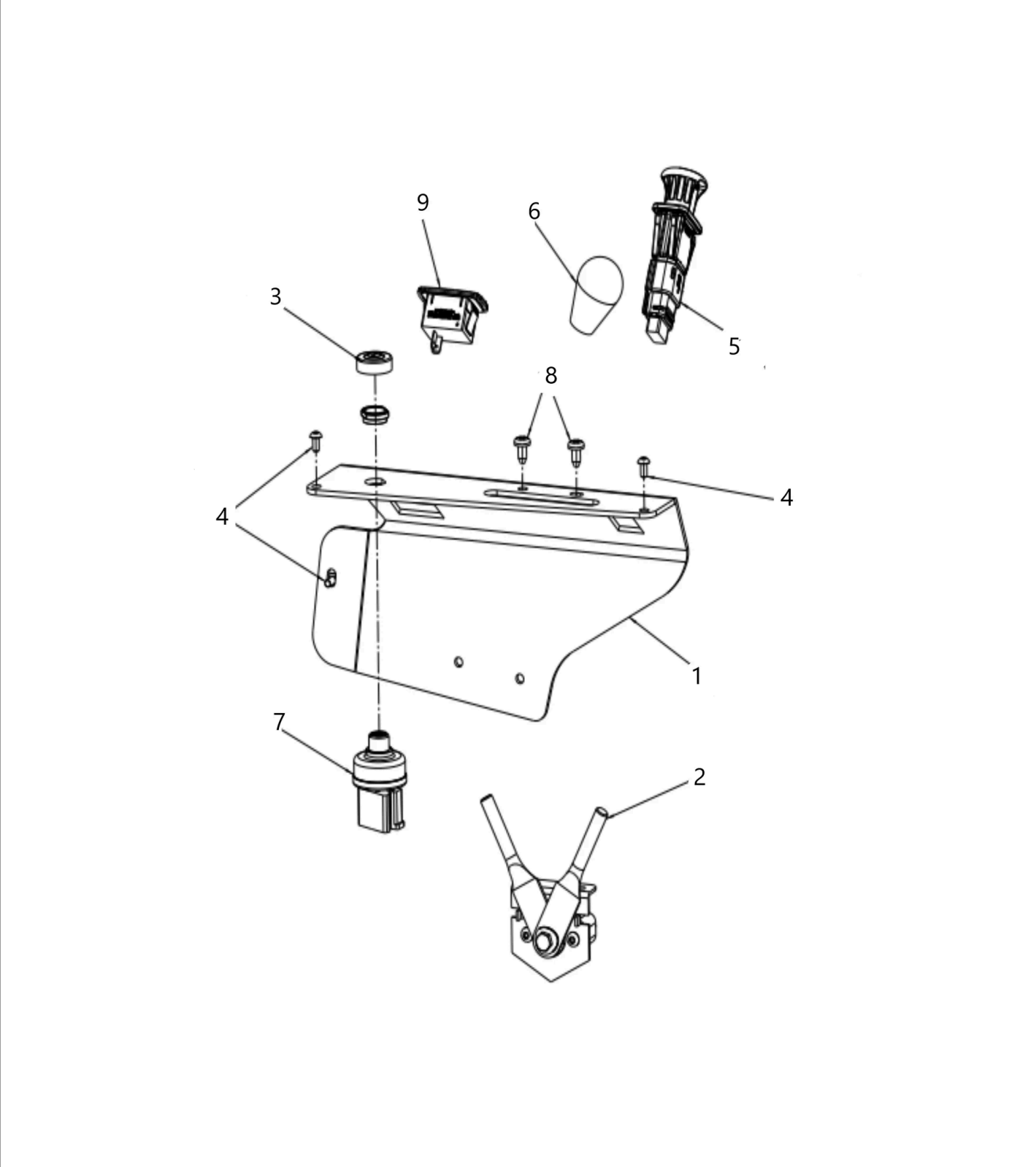


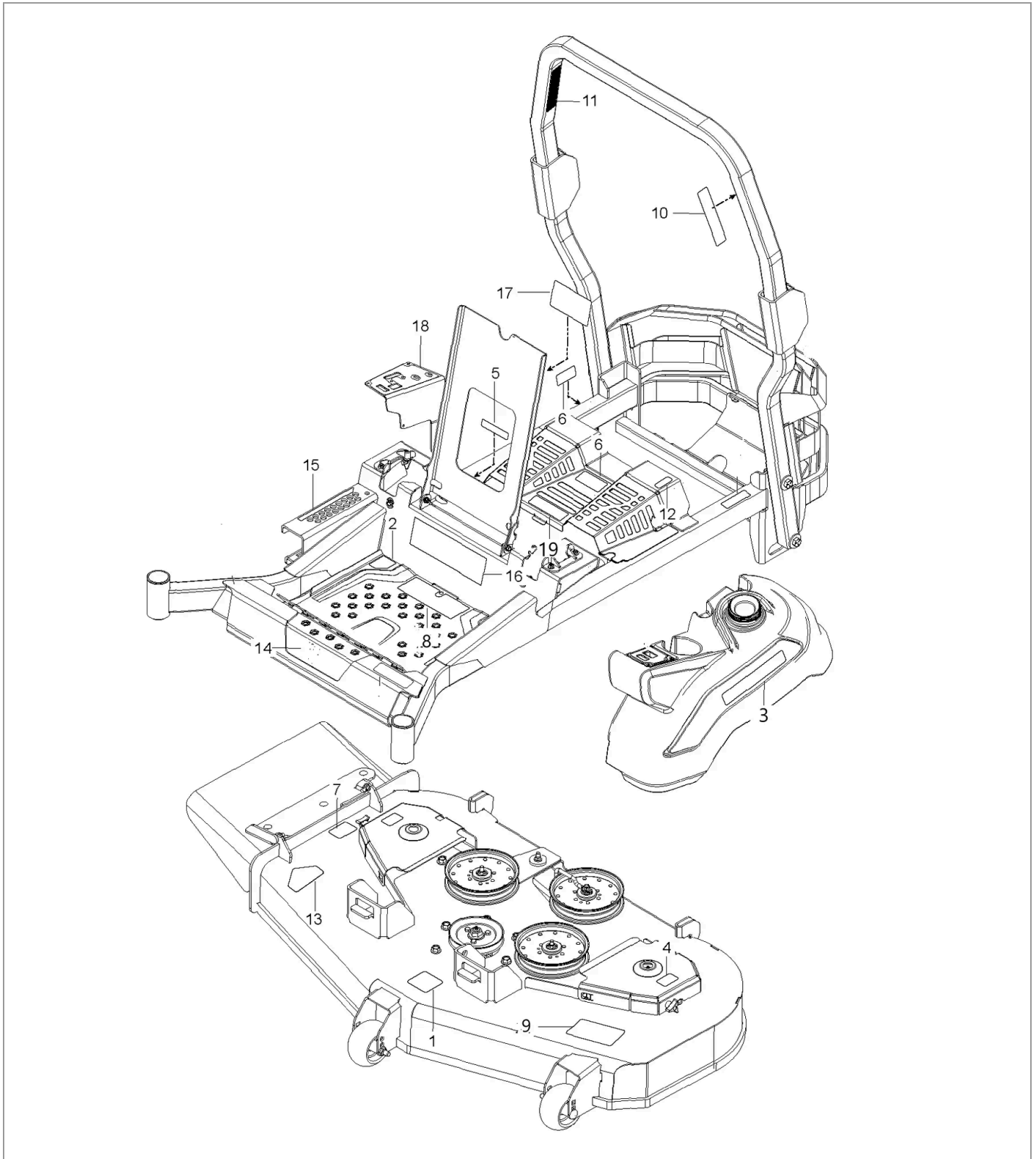
Product Catalog: /CZT60TX

CONTROL PANEL



Ref.	Article N.	Description	Qty	Kit
1	536777803	CONTROL PANEL	1	-
2	536689801	THROTTLE	1	-
3	539103178	NUT CAP	1	-
4	539114341	SCREW	3	-
5	589887201	SWITCH	1	-
6	539132624	KNOB	1	-
7	574455401	SWITCH	1	-
8	532199855	SCREW	2	-
9	594919101	HOUR METER	1	-
10	593777806	HARNESS	1	-
11	574455501	KEY	1	-

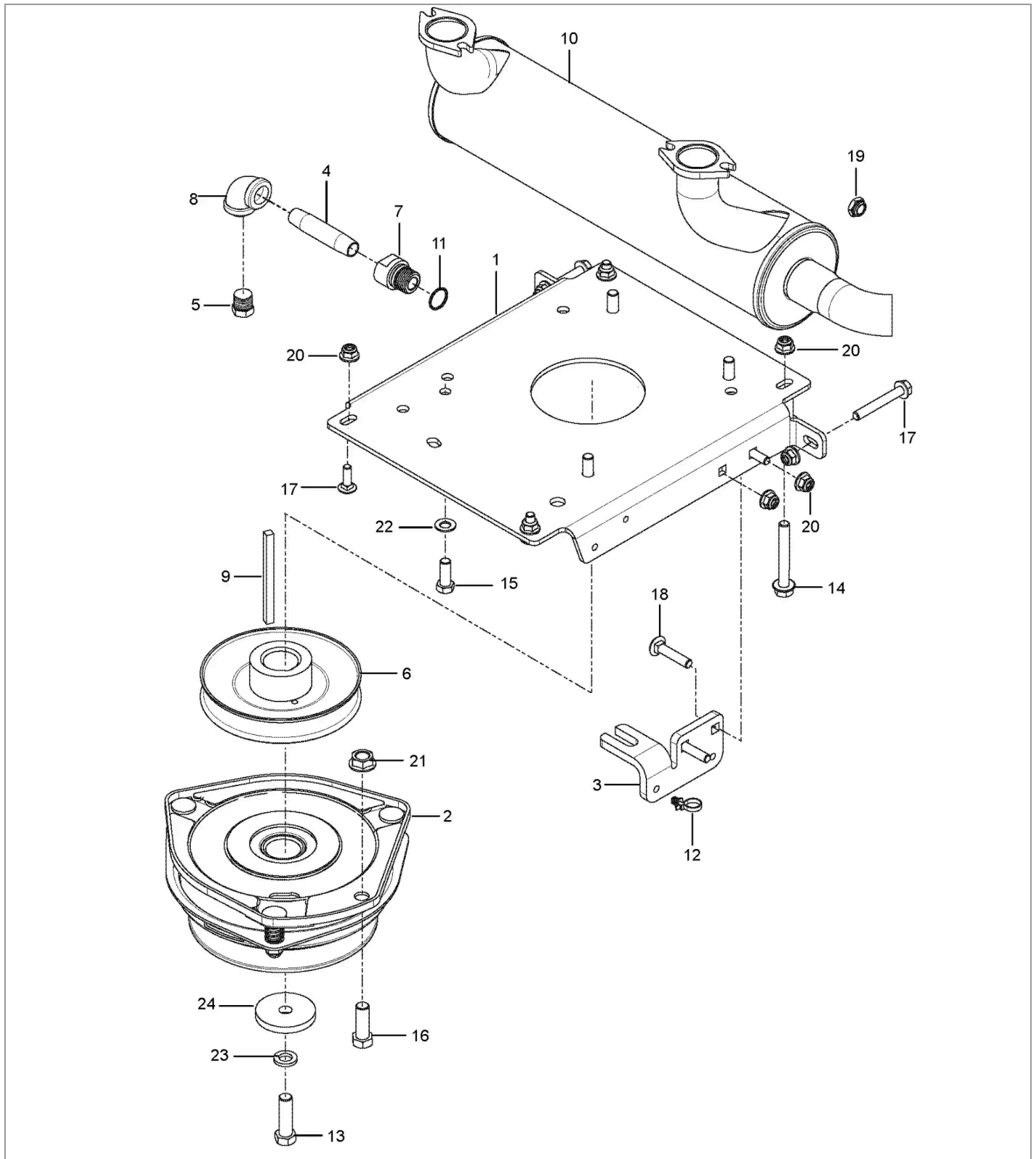
DECALS



Ref.	Article N.	Description	Qty	Kit
1	591163901	DECAL	1	-
2	599844701	DECAL MOTION/BRAKE RH	1	-

Ref.	Article N.	Description	Qty	Kit
2	599844702	DECAL <i>MOTION/BRAKE LH</i>	1	-
3	538688506	GUARD <i>RH</i>	1	-
3	538688505	GUARD <i>LH</i>	1	-
4	589357902	DECAL <i>NO STEP</i>	1	-
5	529527001	DECAL <i>BATTERY WARNING</i>	1	-
6	539105744	DECAL <i>DANGER BELT</i>	1	-
7	581724401	DECAL <i>DEFLECTOR WARNING</i>	1	-
8	599845001	DECAL	1	-
9	591078901	DECAL	1	-
10	529642401	DECAL <i>ROPS</i>	1	-
11	574569002	DECAL <i>ROPS WARNING</i>	1	-
12	599844901	DECAL <i>FUSE</i>	1	-
13	584904602	DECAL <i>DECK/DEFLECT WARNING</i>	1	-
14	590799101	DECAL	1	-
15	599844401	DECAL	1	-
16	537667201	DECAL	1	-
17	599755201	DECAL <i>MAINTANCE/SERVICE</i>	1	-
18	534102503	DECAL	1	-
19	599844201	DECAL	1	-
20	590801001	DECAL	1	-

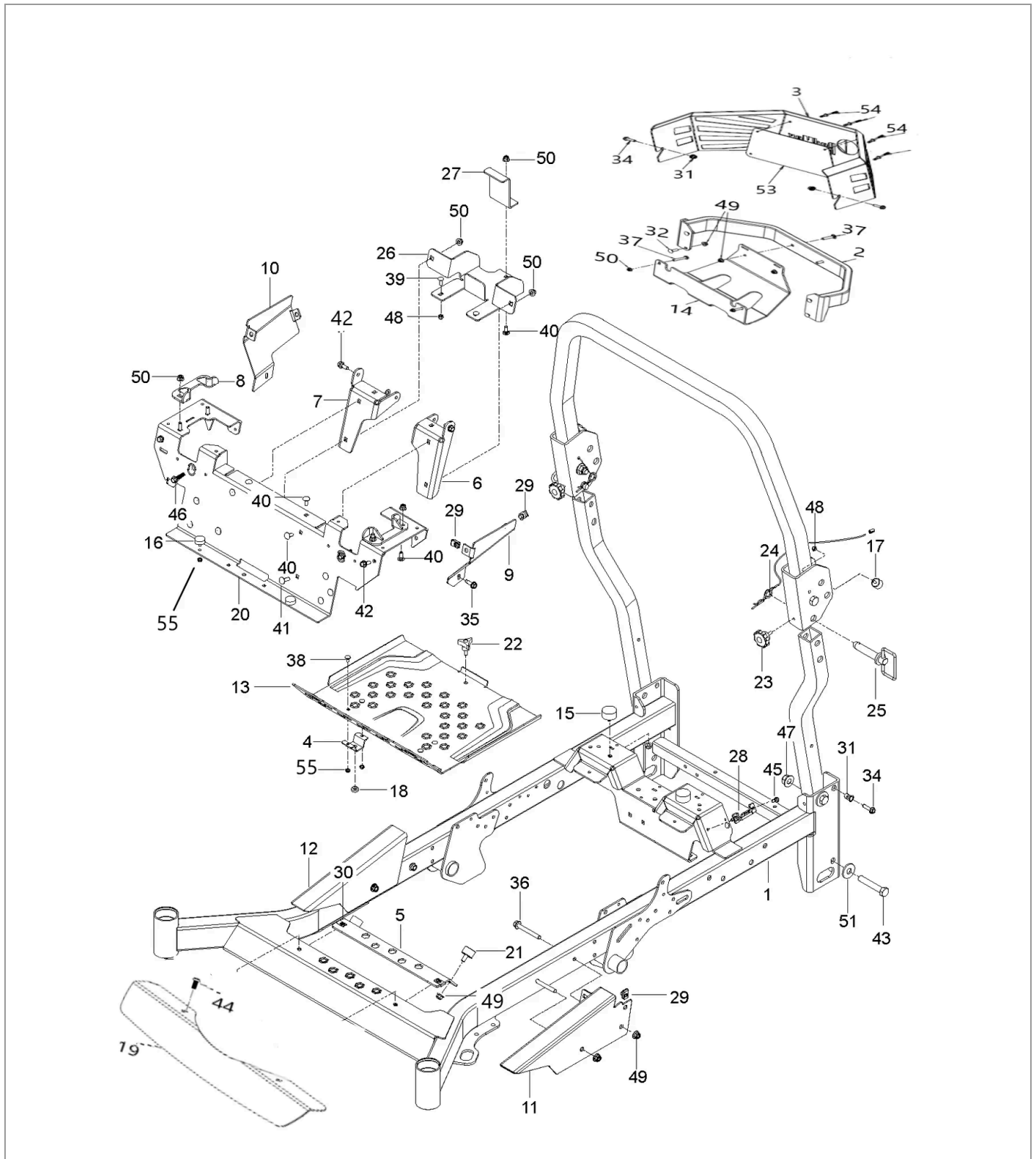
ENGINE MOUNTING, GUARDS AND MUFFLER



Ref.	Article N.	Description	Qty	Kit
1	582733302	PLATE	1	-
2	525749501	CLUTCH	1	-

Ref.	Article N.	Description	Qty	Kit
3	522676702	STOP	1	-
4	539118911	NIPPLE	1	-
5	522837001	PLUG	1	-
6	510019801	PULLEY	1	-
7	539119680	ADAPTER	1	-
8	539105072	90DEG.ELBOW 3/8NPT	1	-
9	525749901	KEY	1	-
10	525750401	MUFFLER	1	-
10	589628501	EXHAUST <i>For 97049750200, 97064110100</i>	1	-
10	525750301	MUFFLER <i>For 97049750100</i>	1	-
11	539109618	O-RING	1	-
12	505280001	TIE WRAP	1	-
13	581332801	BOLT	1	-
14	574233801	SCREW	4	-
15	539990563	SCREW	4	-
16	874780716	BOLT	1	-
17	539990208	SCREW	2	-
18	539102933	SCREW	2	-
19	539108120	NUT	1	-
20	539112899	NUT, 5/16-18, NYLOC	8	-
21	539102582	NUT	1	-
22	539102593	WASHER	4	-
23	539990247	WASHER	1	-
24	539125626	WASHER	1	-
25	586839801	GASKET <i>For 97049750200, 97064110100 Exhaust Gaskets</i>	2	-

FRAME

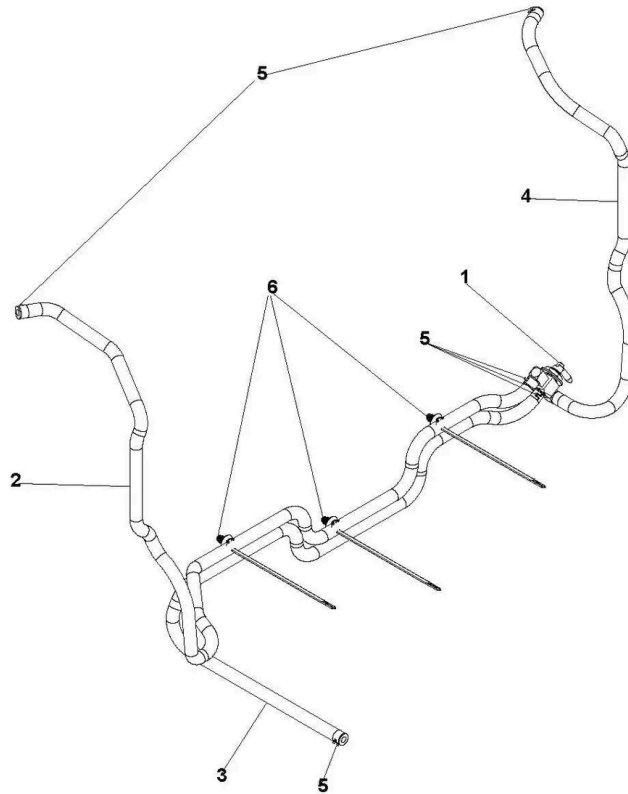
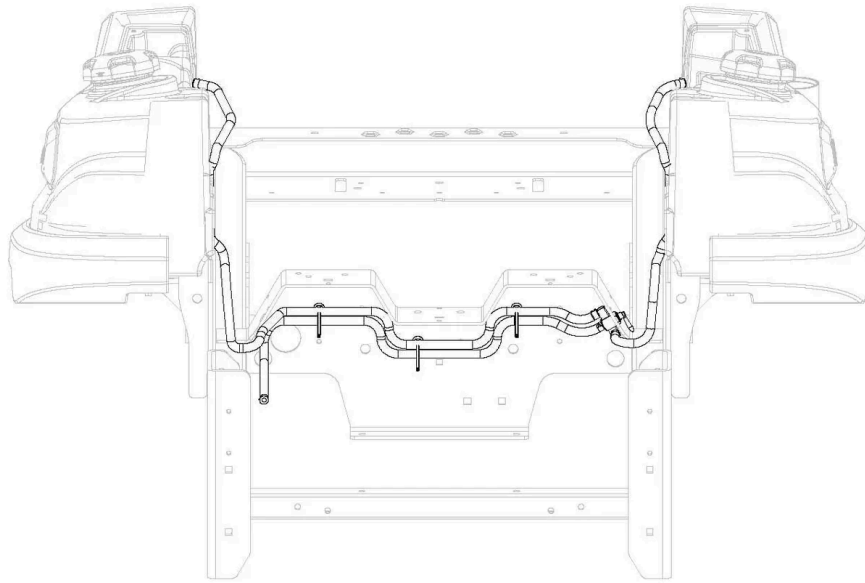


Ref.	Article N.	Description	Qty	Kit
1	591359803	FRAME w/ SAFETY DECALS	1	-
2	522675705	BUMPER	1	-

Ref.	Article N.	Description	Qty	Kit
3	574299108	GUARD	1	-
4	589808802	BRACKET	2	-
5	595528902	BRACKET	1	-
6	596789202	BRACKET	1	-
7	596789204	BRACKET	1	-
8	582481101	BRACKET	2	-
9	595327505	PANEL	1	-
10	595327506	PANEL	1	-
11	582480805	PANEL	1	-
12	582480806	PANEL	1	-
13	589304603	PLATE	1	-
14	596694103	PLATE	1	-
15	582478702	BUMPER	2	-
16	575811501	BUMPER	2	-
17	522801401	BUMPER	4	-
18	539102587	ABSORBER	2	-
19	599868702	COVER	1	-
20	582480506	CROSS MEMBER	1	-
21	589744002	ISOLATOR	2	-
22	597783101	KNOB	1	-
23	591344501	KNOB	2	-
24	591101702	PIN	2	-
25	591101602	PIN	2	-
26	596750302	PLATE	1	-
27	582460606	BRACKET <i>MX-14</i>	1	-
28	589500701	BRACKET	1	-
29	539104763	CLIP	7	-
30	589806801	NUT	2	-
31	594977401	NUT	2	-
32	595901101	BOLT	4	-
33	574233802	SCREW	2	-
34	525544002	BOLT	2	-
35	596433801	SCREW	4	-
36	577117702	BOLT	4	-
37	595901401	BOLT	2	-
38	596133401	BOLT	4	-
39	596238401	BOLT	2	-
40	595901601	BOLT	14	-
41	595901501	BOLT	2	-
42	596240701	BOLT	4	-
43	580754602	BOLT	6	-

Ref.	Article N.	Description	Qty	Kit
44	589797202	SCREW	2	-
45	596135801	BOLT	2	-
46	585986101	BOLT	2	-
47	525829102	NUT	6	-
48	595086601	NUT	6	-
49	521996502	NUT	12	-
50	594944401	NUT	21	-
51	594946401	WASHER	4	-
52	590877804	ROPS <i>ROPS ASSY</i>	1	-
53	538644402	PLATE	1	-
54	531390601	RIVET	4	-
55	596031501	LOCK NUT	2	-

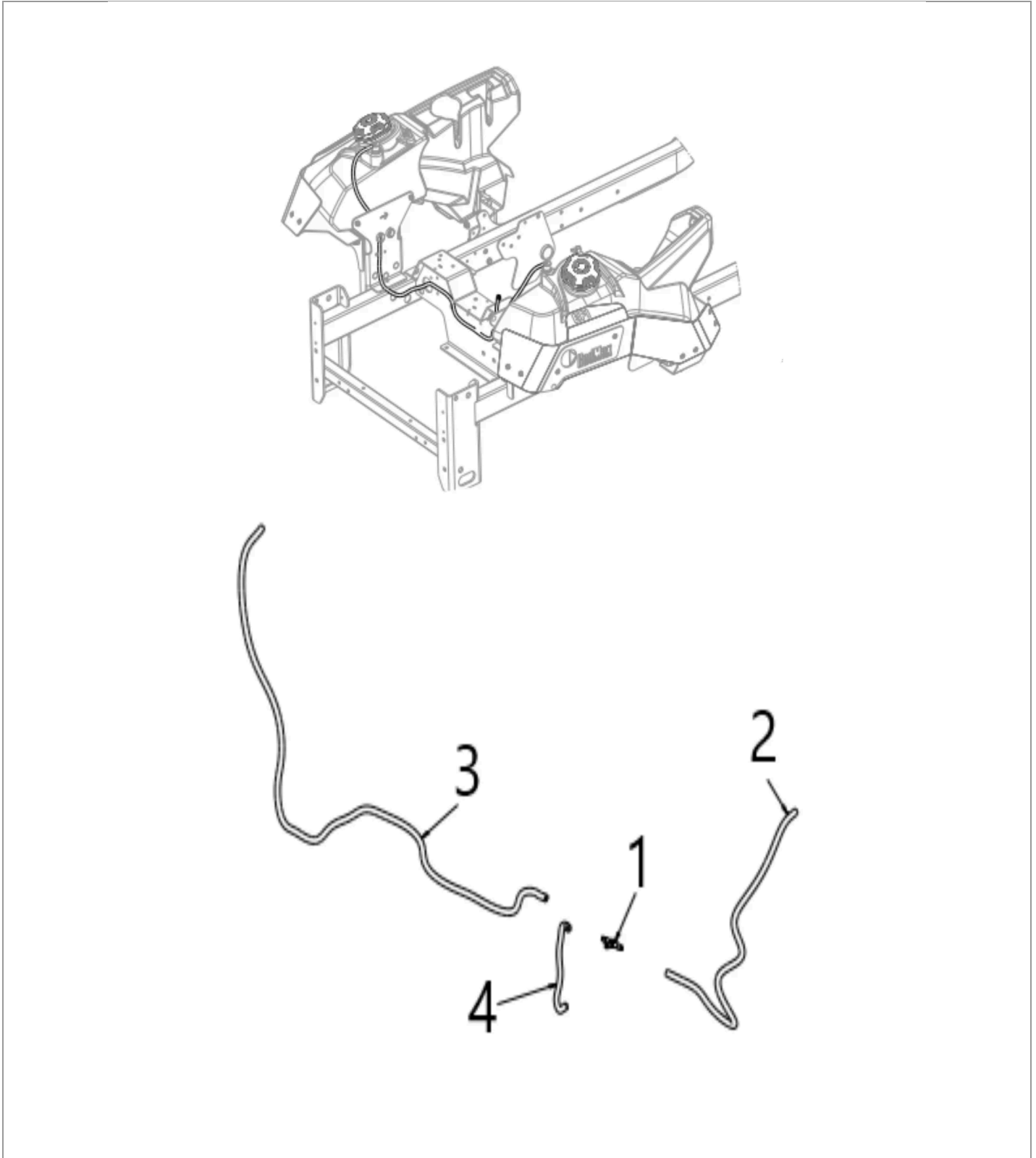
FUEL LINE AND VALVE



Ref.	Article N.	Description	Qty	Kit
1	598462501	VALVE	1	-
2	587044841	HOSE	1	-

Ref.	Article N.	Description	Qty	Kit
3	587044806	HOSE	1	-
4	587044824	HOSE	1	-
5	532123487	HOSE CLAMP	6	-
6	591367101	CABLE	3	-

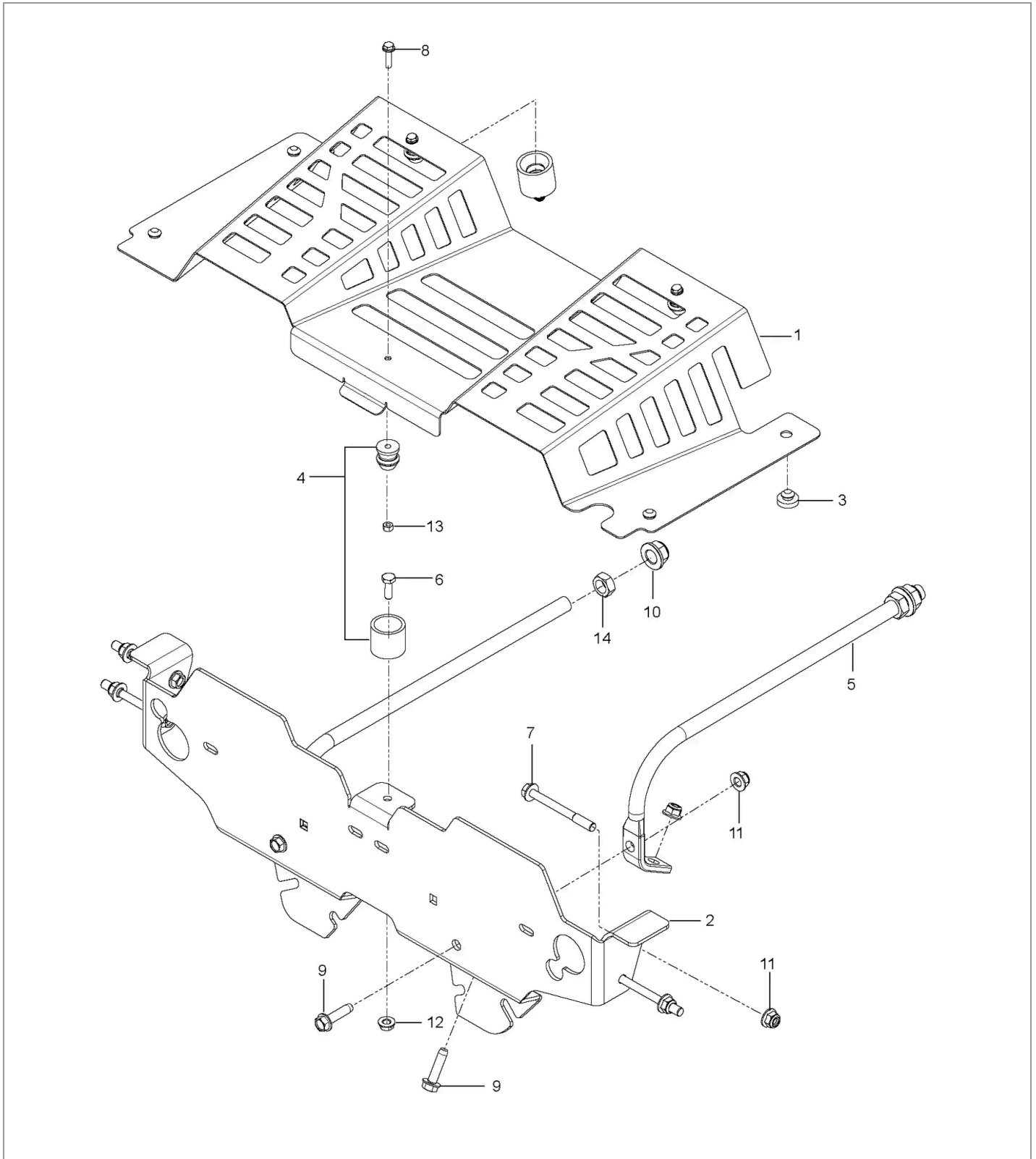
FUEL TANK



Ref.	Article N.	Description	Qty	Kit
1	574206602	FITTING	1	-
2	587044524	HOSE CUT TO LENGTH	1	-

Ref.	Article N.	Description	Qty	Kit
3	587044535	587044535 <i>CUT TO LENGTH</i>	1	-
4	587044506	587044506 <i>CUT TO LENGTH</i>	1	-

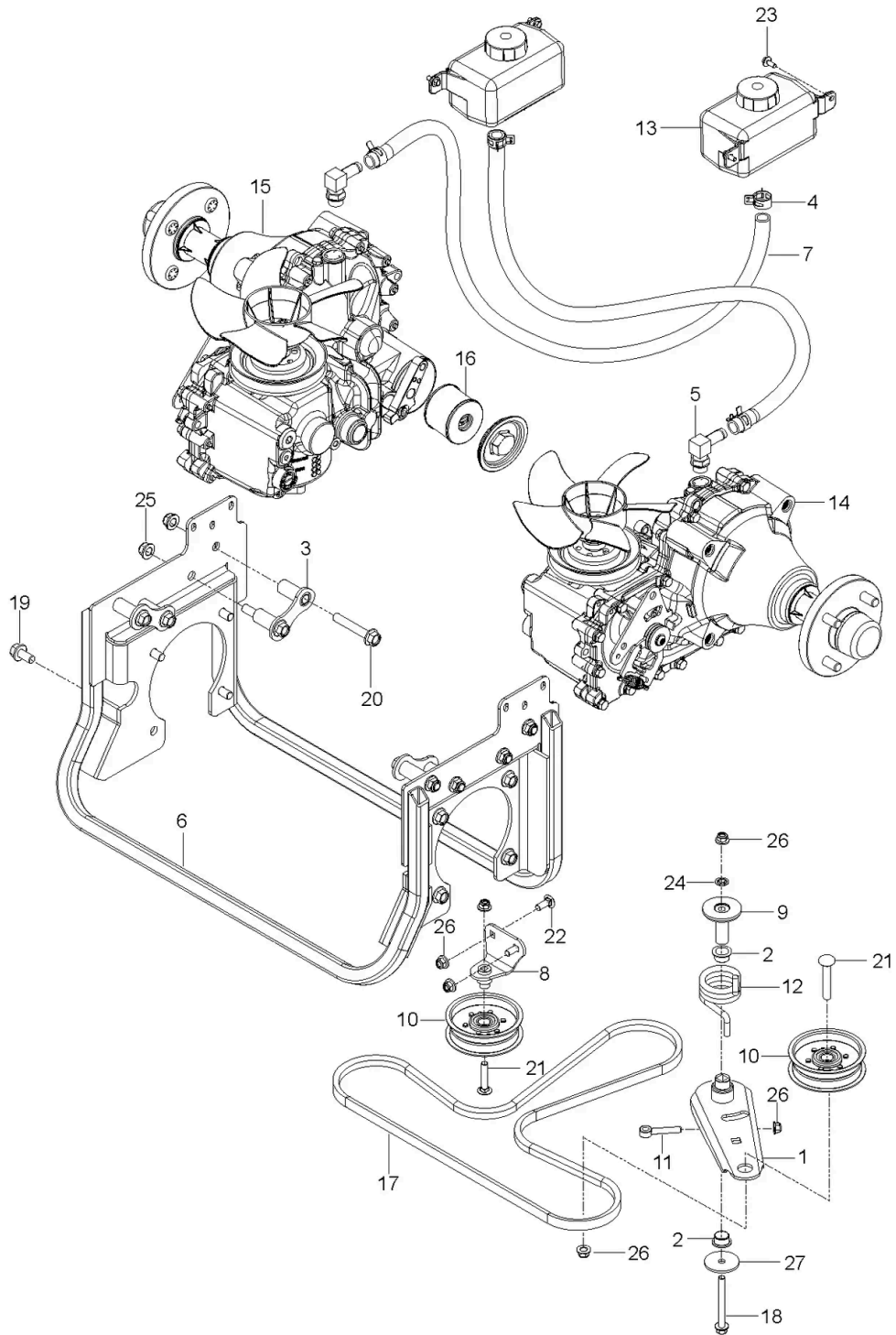
GUARDS



Ref.	Article N.	Description	Qty	Kit
1	591359901	SHIELD	1	-
2	582461207	BRACKET	1	-

Ref.	Article N.	Description	Qty	Kit
3	539102587	ABSORBER	4	-
4	582461701	HOLDER ASSY	3	-
5	582461304	ROD	2	-
6	596230901	SCREW	3	-
7	874490548	BOLT	4	-
8	503200001	SCREW EHHFM	3	-
9	587592102	SCREW	4	-
10	521991102	NUT	2	-
11	594944401	NUT	8	-
12	532191730	NUT	3	-
13	731231405	HEXAGON NUT	3	-
14	596433401	NUT	2	-

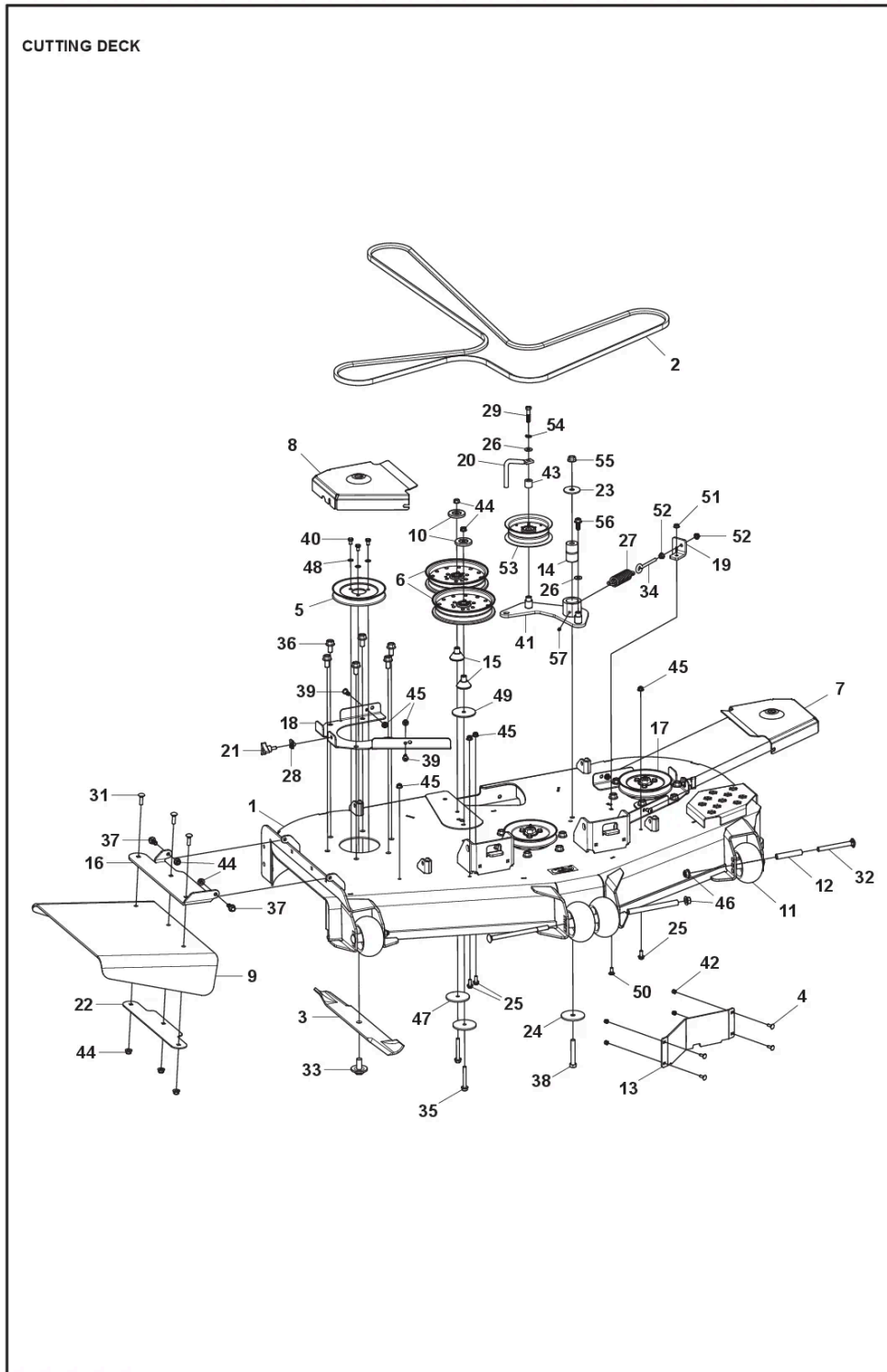
HYDRAULIC PUMP - MOTOR



Ref.	Article N.	Description	Qty	Kit
1	582463102	ARM	1	-
2	501603701	BEARING	2	-

Ref.	Article N.	Description	Qty	Kit
3	582479102	BRACKET	4	-
4	582480101	CLAMP	4	-
5	529311401	FITTING	2	-
6	582479404	FRAME	1	-
7	582480208	HOSE	2	-
8	586933802	MOUNT	1	-
9	582468102	SHAFT	1	-
10	587654101	PULLEY	2	-
11	582716201	ROD END	1	-
12	582468401	SPRING	1	-
13	574499201	TANK	2	-
14	582480001	TRANSMISSION	1	-
15	582480002	TRANSMISSION	1	-
16	576127201	FILTER	1	-
17	582480402	V-BELT	1	-
18	596637401	SCREW	1	-
19	574210602	SCREW	8	-
20	596789601	BOLT	8	-
21	595901401	BOLT	2	-
22	595316801	BOLT	2	-
23	532165857	SCREW	4	-
24	539913847	BOLT	1	-
25	521991102	NUT	8	-
26	521996502	NUT	6	-
27	596135501	WASHER	1	-

MOWER DECK / CUTTING DECK

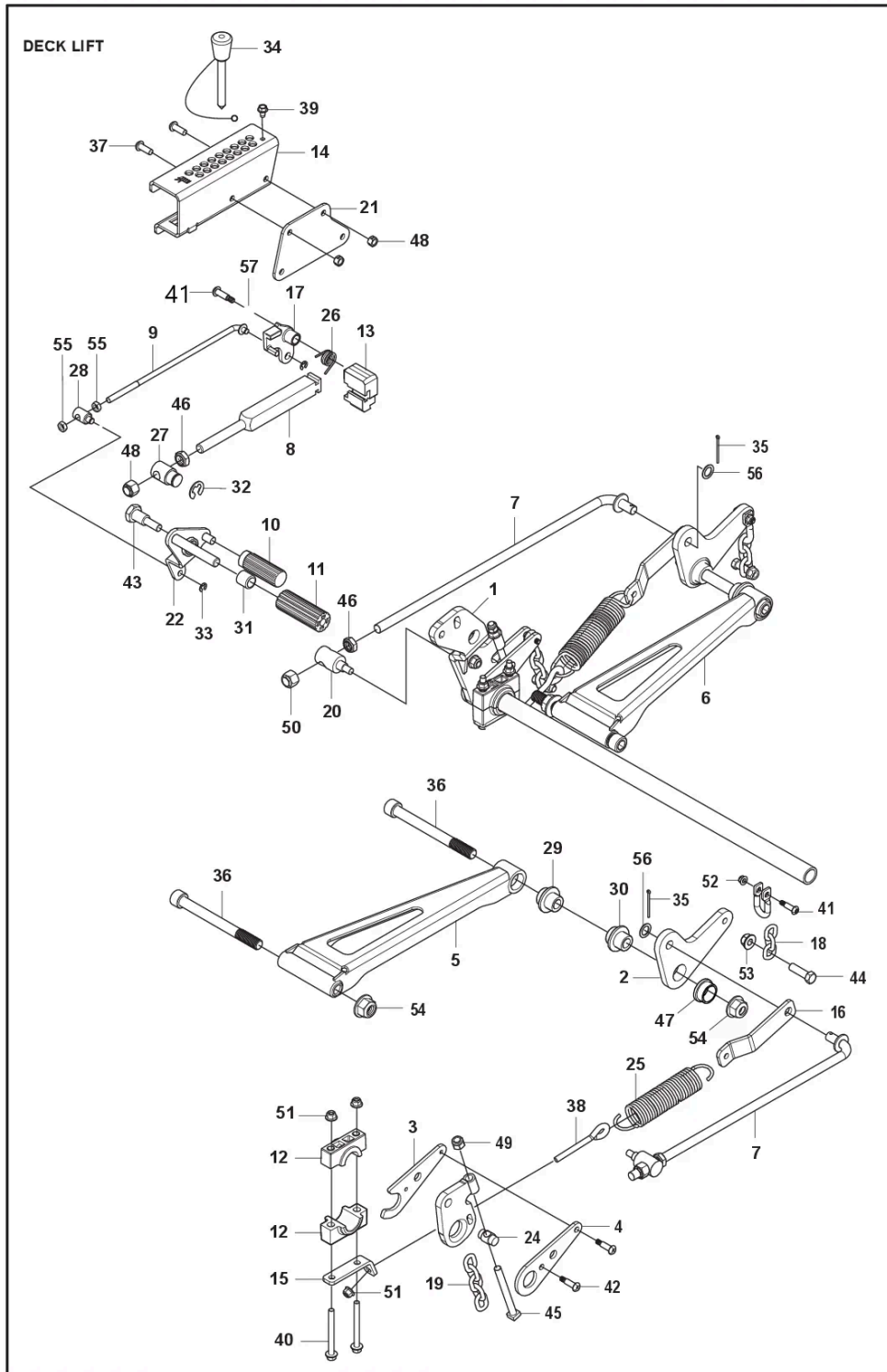


Ref.	Article N.	Description	Qty	Kit
1	546368801	SERVICE KIT CUTTING DECK W/ SFTY DECALS	1	-

Ref.	Article N.	Description	Qty	Kit
2	536861102	DRIVE BELT <i>DECK.BELT. 175.600</i>	1	-
3	539105711	BLADE <i>BLADE 21</i>	3	-
4	596238401	BOLT <i>BOLT.CARR.1/4-20X3/4.GR5.CLRZN</i>	4	-
5	539130646	PULLEY <i>PULLEY - 6.57</i>	3	-
6	510015102	PULLEY <i>PULLEY.IDLER.</i>	2	-
9	582468801	CHUTE <i>CHUTE.DISCHARGE</i>	1	-
10	510254502	SHIELD <i>DUST SHIELD</i>	2	-
11	574169601	ROLLER <i>ROLLER, GAUGE .635 BORE</i>	3	-
12	574196402	TUBE <i>TUBE.GAGE.ROLLER.ALXE</i>	4	-
13	510437502	BAFFLE <i>BAFFLE.DIVERTER.PNT.LH.E-DIP</i>	1	-
14	546121601	BUSHING <i>BUSHING.GREASEABLE.INNER.RAW</i>	1	-
15	510263701	BEARING <i>BEARING, IDLER ARM</i>	2	-
16	582467303	BRACKET <i>BRACKET.CHUTE.ORG</i>	1	-
17	582463209	BRACKET <i>CHUTE.DISCHARGE</i>	1	-
18	582463210	BRACKET <i>BRACKET.PULLEY.COVER.RH.PNT</i>	1	-
19	536986806	BRACKET <i>BRACKET.EYEBOLT.RED</i>	1	-
20	597890001	KEEPER <i>KEEPER.BELT.46STAMPED.RZ.CLR</i>	1	-
21	597783101	KNOB <i>KNOB.3WING.5/16-18.CLR.ZN</i>	2	-
22	590523702	PLATE <i>PLATE.BACKING.DISCHARGE.CHT.BK</i>	1	-
23	546136602	PLATE <i>REINFOCEMENT.PLATE.BLACK.431</i>	1	-
24	546126202	PLATE <i>BACKING.PLATE.E-DIP BLK</i>	1	-
25	592858702	BOLT <i>BOLT.5/16-18X.75.HEX.FLANGE</i>	4	-
26	596134901	WASHER <i>WASHER.PLAIN.3/8 X 7/8</i>	2	-
27	537563101	SPRING <i>SPRING.EXTENTION.CLR Zn</i>	1	-
28	539104763	CLIP <i>U-CLIP 5/16 - 18 NUT RETAINER</i>	2	-
29	596583901	BOLT <i>BOLT.HEX.3/8X1-3/4GR5.CLR.ZN</i>	1	-
31	595901101	BOLT <i>BOLT.3/8-16 X 1.27 GR5 CLR ZN</i>	3	-

Ref.	Article N.	Description	Qty	Kit
32	510022302	SCREW SCREW.CUP.HEAD.1/2-13 X 4 3/4	3	-
33	539119007	SCREW BLADE BOLT/WASHER	3	-
34	596240801	BOLT BOLT.EYELET.5/16-18 X 3-1/2	1	-
35	596436901	SCREW SCREW.HEX.3/8-16 X 2-3/4	2	-
36	574210602	SCREW SCREW.HHFS.1/2-13 X 1.GR5.CLR	18	-
37	525612802	SCREW SCREW.HHF 3/8-16 UNCX1 G5	2	-
38	596435301	BOLT BOLT.HEXAGON.1/2-13 X 3-1/4	1	-
39	582476402	SCREW SCREW.3/8DIA.SHLDR.5/16-18THR	4	-
40	596433301	BOLT BOLT.HEX.5/16-18X1/2GR5	9	-
41	546121202	ARM ARM.IDLER	1	-
42	595086601	NUT NUT.HEX.1/4-20 ST ZPB	4	-
43	538930301	SPACER SPACER.BELT.KEEPER	1	-
44	521996502	NUT NUT.HEX.LOCK.W/FLANGE.3/8-16	7	-
45	594944401	NUT NUT.HEX.FLNG.5/16-18.NYLOC.CLR	8	-
46	521991102	NUT 1/2-13.HEX.FLANGE.NYLOK	5	-
47	582466402	PLATE PLATE.SPRING.RETAINER	2	-
48	596565001	WASHER WASHER;5/16X0.042IN ST CLR.ZN	9	-
49	546126302	PLATE PLATE.REINFORCEMENT.MS BLK	1	-
50	595901601	BOLT BOLT.CUP.5/16-18 X 3/4.CLR.ZNC	1	-
51	596135701	LOCK NUT NUT.LOCK.PRVL.TORQ.5/16-18X.68	1	-
52	596039201	LOCK NUT NUT.SER.FLANGE.LOCKNUT.5/16-18	2	-
53	589766102	PULLEY PULLEY.IDLER.DECK.CLR ZINC	1	-
54	596238701	WASHER WASHER.SPRING.LOCK.381IDX.680	1	-
55	539111187	NUT NUT, 1/2-13 HEX WHIZLK GR5 ZD	1	-
56	596583101	SCREW SCREW.HHTC.W/COLL.3/8X1GR5	1	-
57	596899901	NIPPLE NIPPLE.ZERK.STRAIGHT.1/4-28	1	-

MOWER LIFT / DECK LIFT

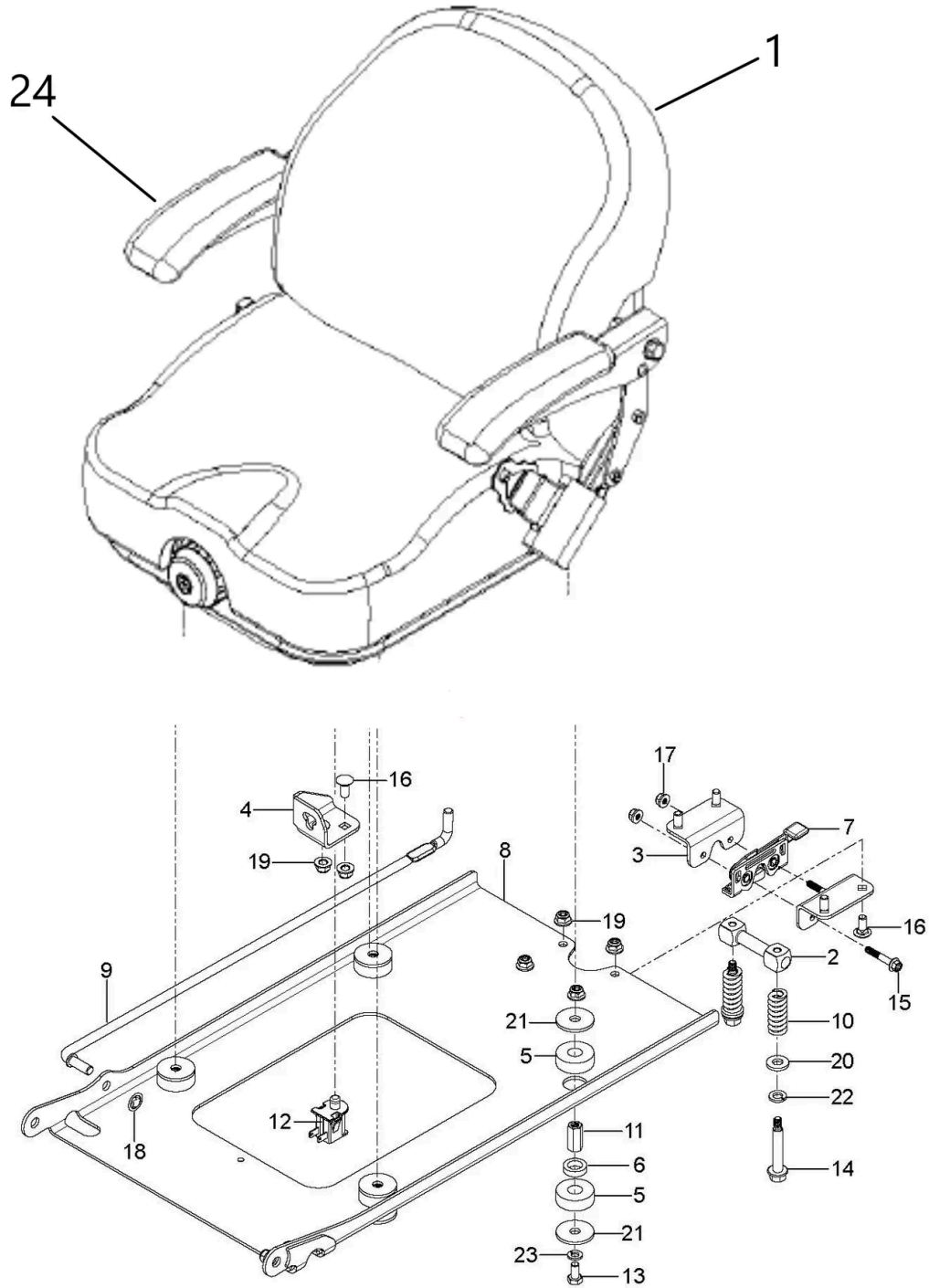


Ref.	Article N.	Description	Qty	Kit
1	582462602	SHAFT	1	-
2	592654001	ARM	1	-

Ref.	Article N.	Description	Qty	Kit
2	592654002	ARM	1	-
3	582465402	ARM	2	-
4	582463902	ARM	2	-
5	582462001	ARM	1	-
6	582462002	ARM	1	-
7	599603101	ROD	2	-
8	582472802	ROD	1	-
9	582471402	ROD	1	-
10	510408302	PEDAL	1	-
11	510089501	PAD	1	-
12	510023902	BLOCK	4	-
13	582467202	BLOCK	1	-
14	582466903	BRACKET	1	-
15	582468902	BRACKET	2	-
16	593091902	BRACKET	2	-
17	592654101	LEVER	1	-
18	594722001	CHAIN	2	-
19	594722002	CHAIN	2	-
20	582464802	PIVOT	2	-
21	582763903	PLATE	1	-
22	589453202	LEVER ASSY	1	-
23	582469002	SHACKLE	2	-
24	582464202	SHAFT	2	-
25	593091802	SPRING	2	-
26	582471302	SPRING	1	-
27	582467002	SWIVEL	1	-
28	582467102	SWIVEL	1	-
29	582469902	BUSHING	2	-
30	582469802	BUSHING	2	-
31	510089201	BUSHING	5	-
32	812000053	E-CLIP	1	-
33	539990870	RING	2	-
34	592914201	PIN	1	-
35	595528801	PIN	2	-
36	582466702	SCREW	4	-
37	582472602	SCREW	2	-
38	574202002	BOLT	2	-
39	596230901	SCREW	1	-
40	589786002	SCREW	4	-
41	501064104	SCREW	3	-
42	501064103	SCREW	4	-

Ref.	Article N.	Description	Qty	Kit
43	510408202	BOLT	1	-
44	594944601	BOLT	4	-
45	582465602	SCREW	2	-
46	589677702	NUT	3	-
47	595086601	NUT	1	-
48	595305901	NUT	2	-
49	595901901	NUT	4	-
50	594977001	NUT	3	-
51	521996502	NUT	6	-
52	594944401	NUT	2	-
53	594993301	NUT	4	-
54	582466602	NUT	4	-
55	596029901	HEXAGON NUT	2	-
56	596933401	WASHER	2	-
57	589368201	BEARING	1	-

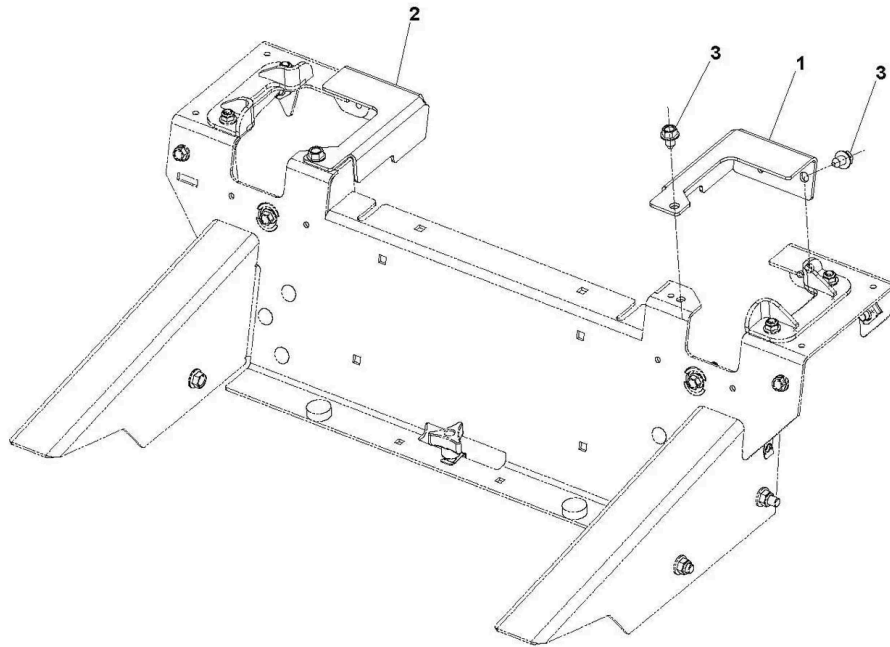
SEAT



Ref.	Article N.	Description	Qty	Kit
1	590899806	SEAT SEAT.I3M.SUSP.REDMAX	1	-

Ref.	Article N.	Description	Qty	Kit
2	582478802	BAR <i>BAR.LATCH.SEAT</i>	1	-
3	582478203	BRACKET <i>BRACKET.MTG.LATCH</i>	2	-
4	590555002	BRACKET <i>BRACKET.SEAT.STAY.ROD</i>	1	-
5	590481801	ISOLATOR <i>ISOLATOR</i>	8	-
6	539116377	INSERT <i>ISO-MOUNT INSERT</i>	4	-
7	590373501	LATCH <i>LATCH.ROTARY</i>	1	-
8	590506802	PLATE <i>PLATE.SEAT</i>	1	-
9	590507202	ROD <i>ROD.STAY.SEAT</i>	1	-
10	594891901	SPRING <i>SPRING</i>	2	-
11	582478102	NUT <i>NUT.HEX.5/16-18X1-1/8.CLR ZINC</i>	4	-
12	532192749	SWITCH <i>SWITCH</i>	1	-
13	596031601	SCREW <i>SCREW.HEX.5/16-18 X 5/8</i>	4	-
14	582478902	SCREW <i>SCREW.SHLDR.3/8DIAX2.5/16-18</i>	2	-
15	582478502	SCREW <i>SCREW.HHD W/FLG.1/4-20X1.5GR5</i>	2	-
16	595901601	BOLT <i>BOLT.CUP.5/16-18 X 3/4.CLR.ZNC</i>	8	-
17	582478602	NUT <i>NUT.FLG.NYLOCK.1/4-20GR G</i>	2	-
18	539913847	BOLT <i>NUT 3/8 PALNUT RTNG BLK PHOS</i>	1	-
19	594944401	NUT <i>NUT.HEX.FLNG.5/16-18.NYLOC.CLR</i>	6	-
20	522023401	WASHER <i>WASHER, 3/8 THICK</i>	2	-
21	532413524	WASHER <i>WASHER.13/32 X 1 X 1/2.11GAHRD</i>	8	-
22	596238701	WASHER <i>WASHER.SPRING.LOCK.381IDX.680</i>	2	-
23	596238801	WASHER <i>WASHER.LOCK.5/16.SQR.END.Zn</i>	4	-
24	590899803	SEAT <i>SEAT ASSY</i>	2	-

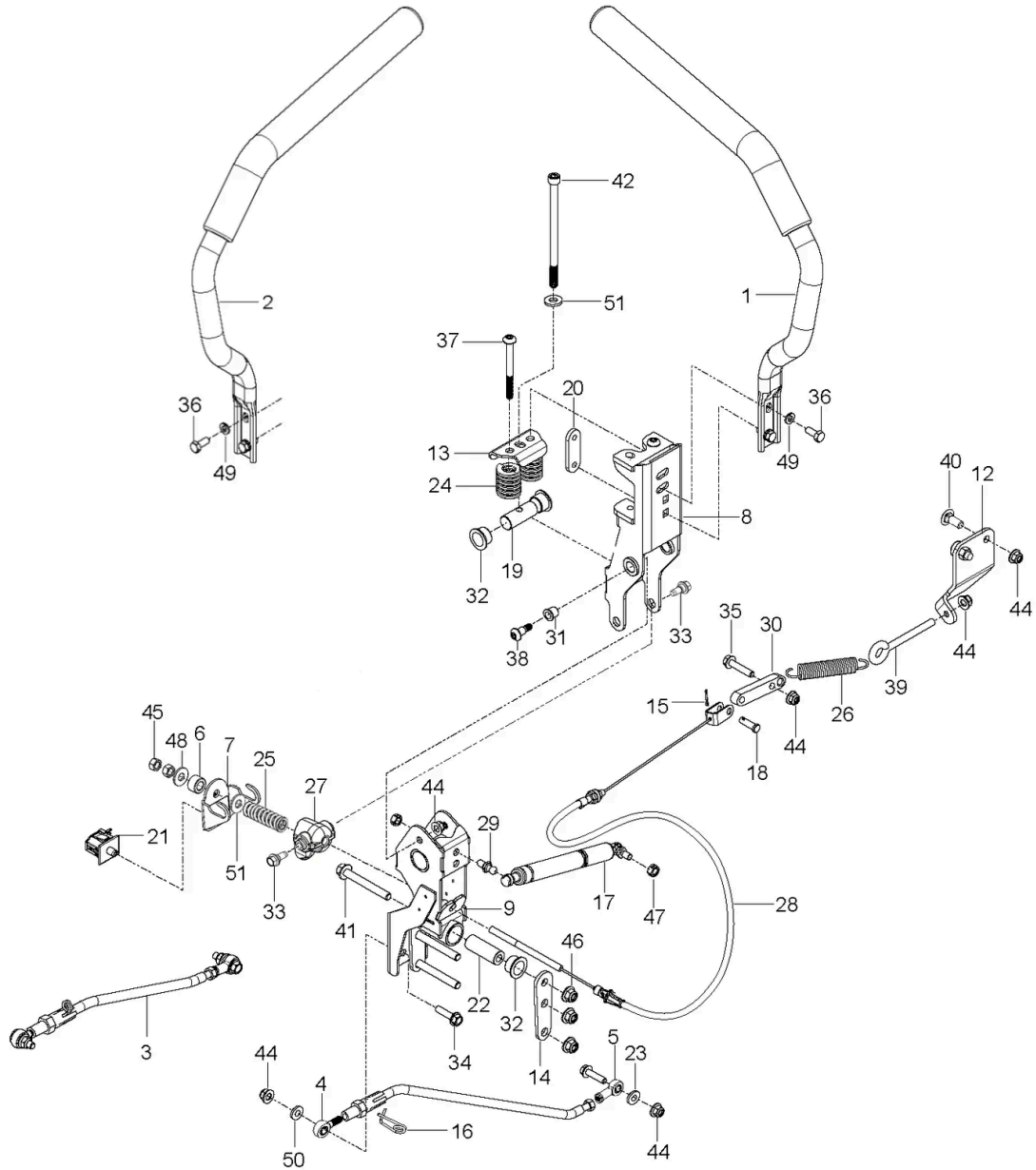
STEERING



Ref.	Article N.	Description	Qty	Kit
1	599893005	COVER	1	-
2	599893006	COVER	1	-

Ref.	Article N.	Description	Qty	Kit
3	596564002	BOLT	4	-

STEERING - CONTROLS AND DAMPER

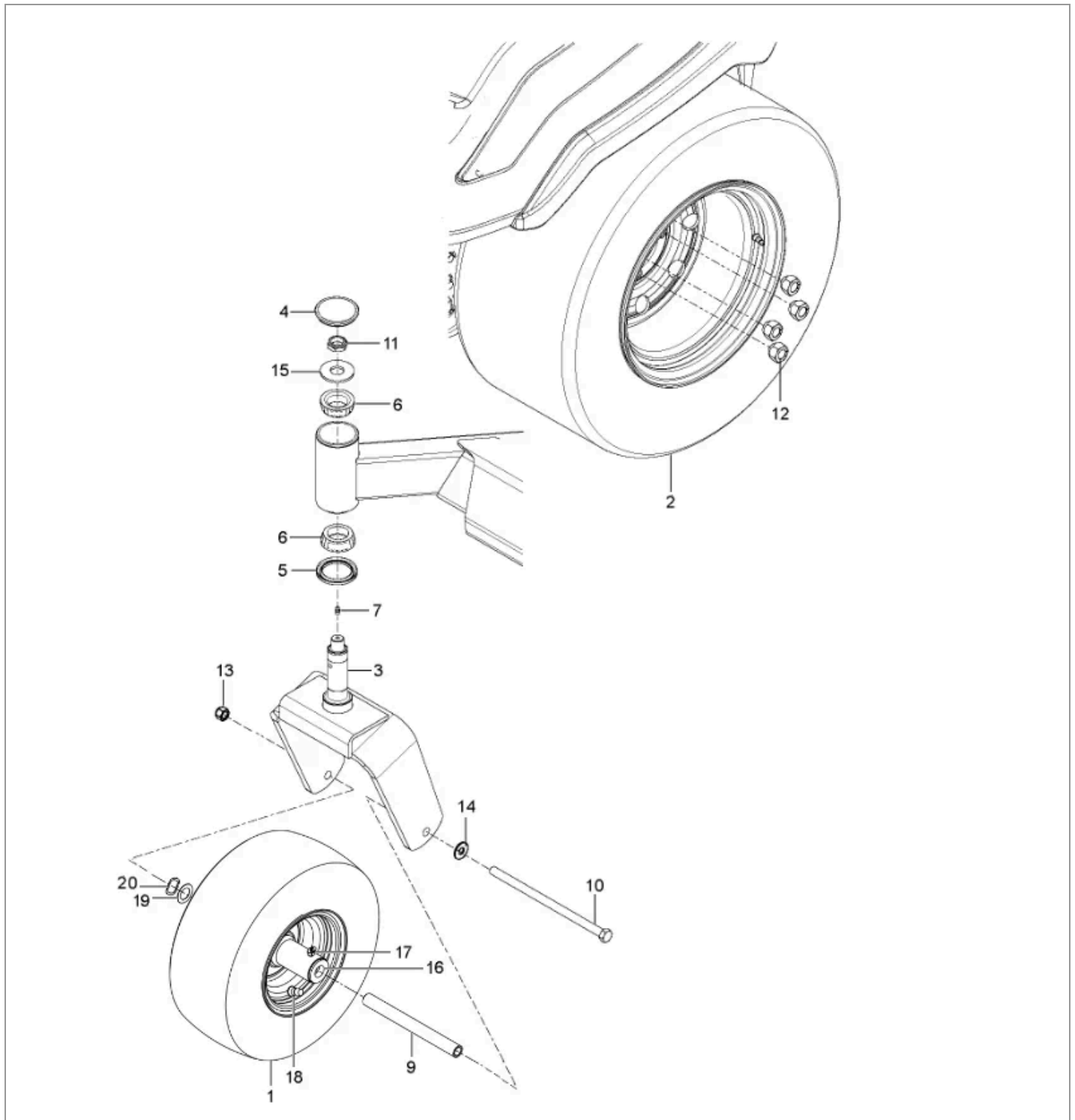


Ref.	Article N.	Description	Qty	Kit
1	582475501	LEVER LEFT	1	-

Ref.	Article N.	Description	Qty	Kit
2	582475502	LEVER <i>RIGHT</i>	1	-
3	598852501	SERVICE KIT <i>Control Rod Coupler Service Kit</i>	1	-
3	596925602	ROD <i>RIGHT</i>	1	-
3	596925702	ROD <i>LEFT</i>	1	-
4	588692502	ROD	2	-
5	579764601	JOINT	2	-
6	539923515	SPACER	2	-
7	597744702	BRACKET	2	-
8	592653801	CARRIER <i>w/BEARINGS LEFT</i>	1	-
8	592653802	CARRIER <i>w/BEARINGS RIGHT</i>	1	-
9	592653901	CARRIER	2	-
12	582477802	BRACKET <i>LEFT</i>	1	-
12	582477804	BRACKET <i>RIGHT</i>	1	-
13	582476902	BRACKET	2	-
14	582475102	BRACKET	4	-
15	587225301	PIN	2	-
16	582551901	CLIP	2	-
17	588775401	DAMPER	2	-
18	582477402	PIN	2	-
19	589505102	PIVOT	2	-
20	589489601	RETAINER	2	-
21	589500902	SWITCH	2	-
22	582475002	SPACER	2	-
23	582711304	SPACER	2	-
24	582477002	SPRING	4	-
25	531242601	SPRING	2	-
26	582477702	SPRING	2	-
27	597744502	ADAPTER	2	-
28	582477501	CABLE	2	-
29	594056301	STUD	4	-
30	582477602	BRACKET	2	-
31	582476801	BEARING	4	-
32	539131518	BEARING	8	-
33	532170165	BOLT	4	-
34	525544002	BOLT	4	-
35	525465402	SCREW	2	-
36	596030501	SCREW	4	-

Ref.	Article N.	Description	Qty	Kit
37	582477102	SCREW	4	-
38	582476402	SCREW	4	-
39	596240801	BOLT	2	-
40	595901501	BOLT	4	-
41	577117702	BOLT	6	-
42	589505602	SCREW	2	-
44	594944401	NUT	14	-
45	596040901	HEXAGON NUT	4	-
46	521996502	NUT	6	-
47	596580701	NUT	4	-
48	596134901	WASHER	2	-
49	596238801	WASHER	4	-
50	596204101	WASHER	2	-
51	522023401	WASHER	4	-

WHEELS AND TIRES



Ref.	Article N.	Description	Qty	Kit
1	597383801	SERVICE KIT	2	-
1	599156702	TIRE	2	-
2	510154502	WHEEL RIM	2	-
2	591091701	TIRE	2	-
3	525611905	FORK	2	-

Ref.	Article N.	Description	Qty	Kit
4	510034003	CAP	2	-
5	510034301	SEAL	2	-
6	510034403	BEARING	4	-
7	596623501	VALVE	2	-
9	575334901	SPACER	2	-
10	594946501	BOLT	2	-
11	522842602	NUT	2	-
12	587653903	NUT	8	-
13	521991102	NUT	2	-
14	595086801	WASHER	2	-
15	574824702	WASHER	2	-
16	539102484	BEARING	4	-
16	539105307	ROLLER BEARING	4	-
17	596623501	VALVE	2	-
18	539912234	VALVE	2	-
19	599405101	SHIM	2	-
20	539133007	WASHER	2	-