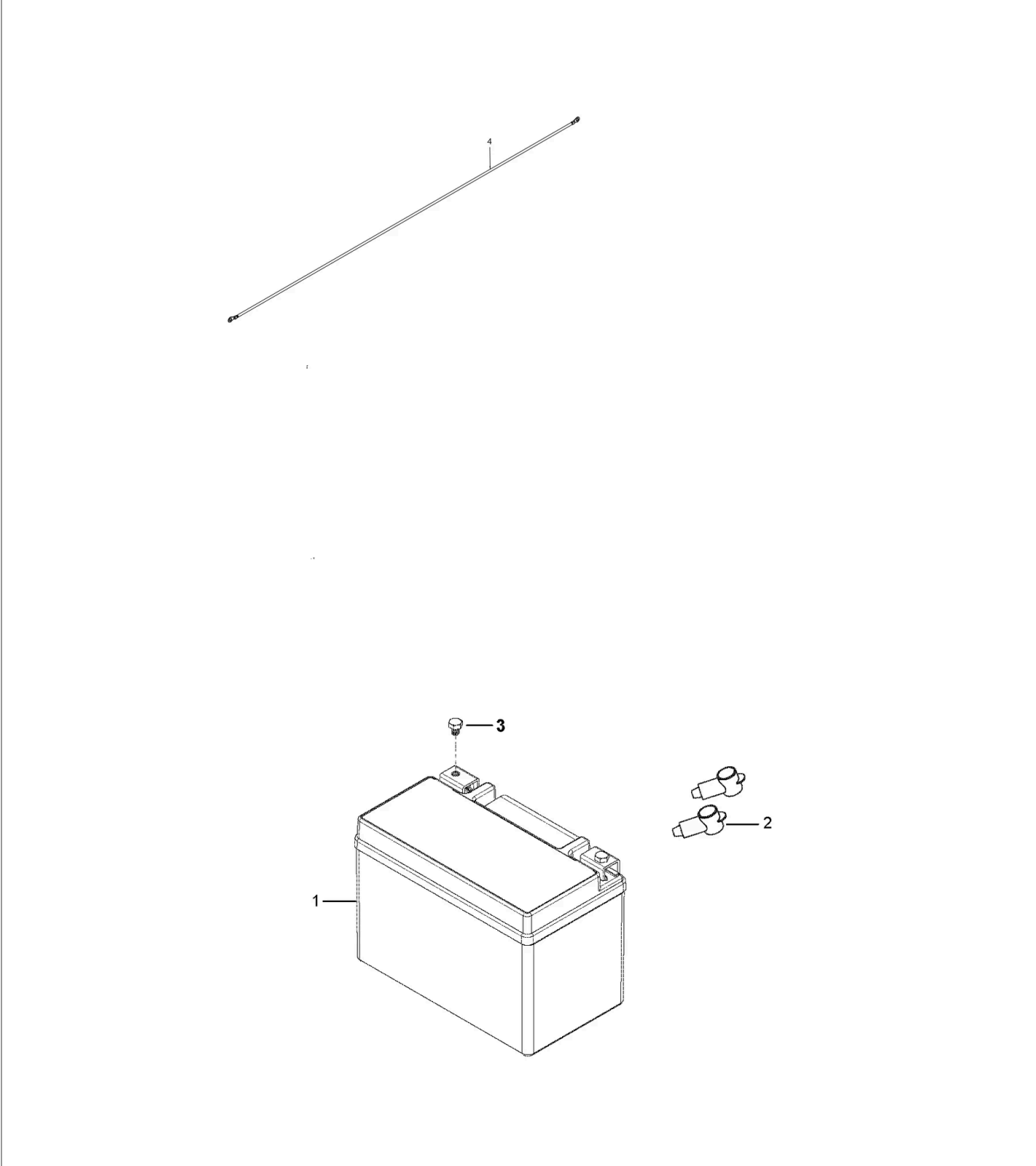


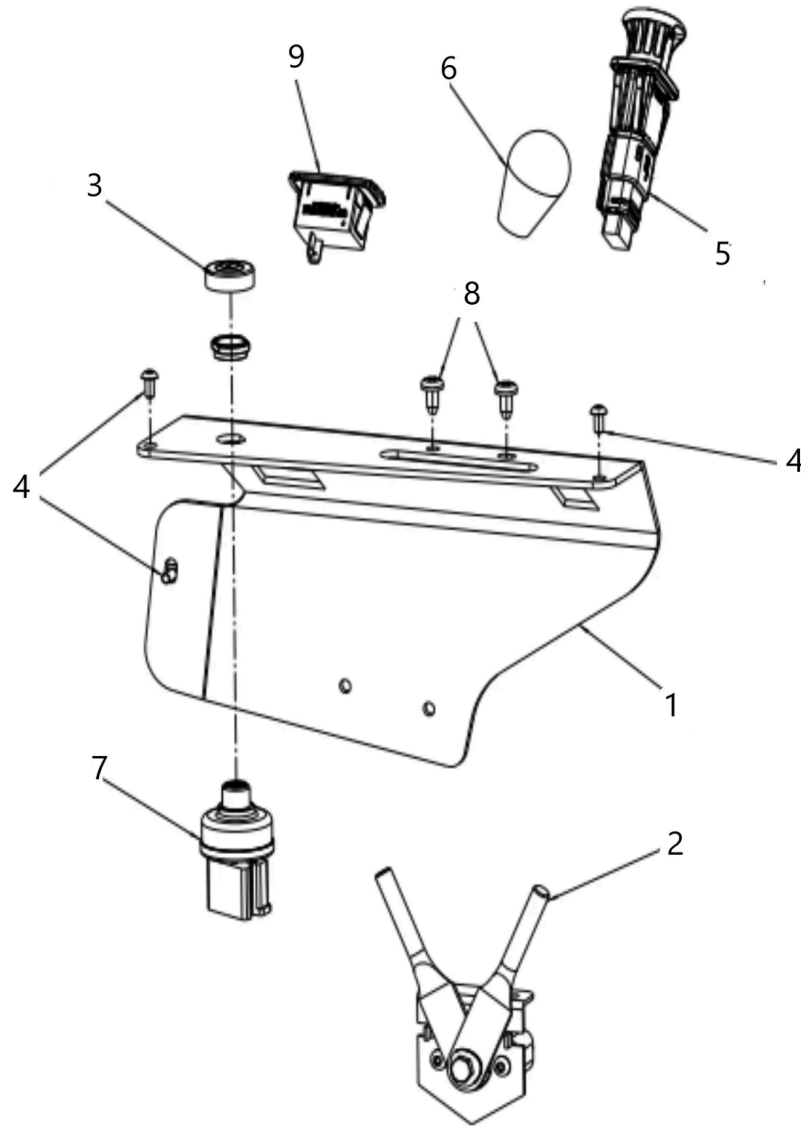
# Product Catalog: /CZT72TX

## BATTERY



<b>Ref.</b>	<b>Article N.</b>	<b>Description</b>	<b>Qty</b>	<b>Kit</b>
1	589819503	BATTERY <i>BATTERY.STARTER.AGM.LEOCH.12AH</i>	1	-
2	539102759	INSULATOR <i>INSULATOR-BATTERY</i>	1	-
3	582460802	SCREW <i>SCREW.M6 X 8MM.HEX.CAP.CLR.ZNC</i>	2	-
4	590632106	CABLE <i>CABLE.BATT.6GA.RED.BLK.KAWI</i>	1	-

# CONTROL COMPONENTS

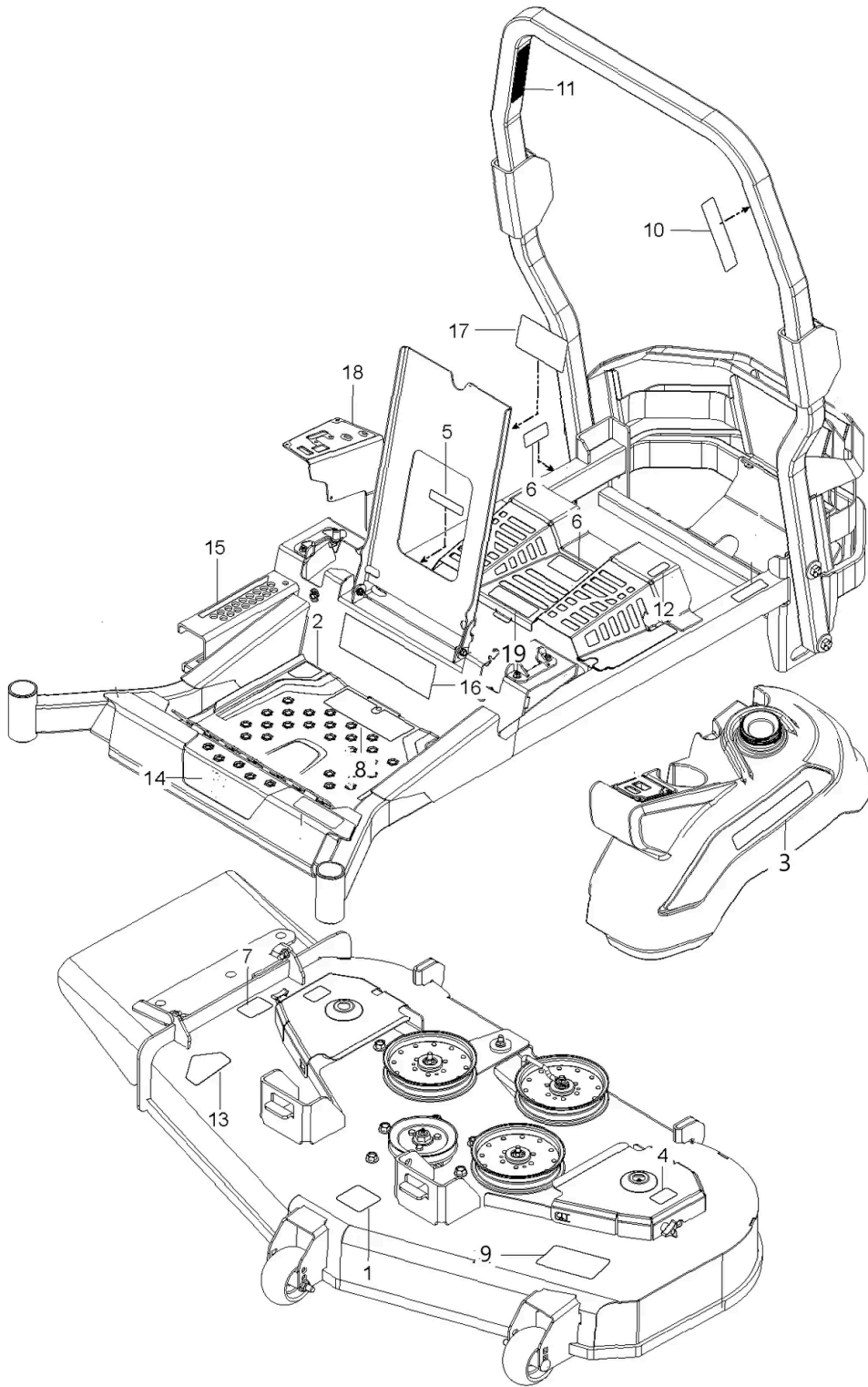


Ref.	Article N.	Description	Qty	Kit
1	536777803	CONTROL PANEL CONTROL PANEL	1	-

Ref.	Article N.	Description	Qty	Kit
2	536689801	THROTTLE <i>THROTTLE CONTROL</i>	1	-
3	539103178	NUT CAP <i>NUT CAP</i>	1	-
4	539114341	SCREW <i>SCREW</i>	3	-
5	589887201	SWITCH <i>SWITCH.PTO</i>	1	-
6	539132624	KNOB <i>KNOB - SHIFT</i>	1	-
7	574455401	SWITCH <i>SWITCH</i>	1	-
8	532199855	SCREW <i>SCREW.1/4-20.PANHEAD</i>	2	-
9	594919101	HOUR METER <i>HOURLMETER.SRVMINDER.RECT</i>	1	-
10	593777806	HARNESS <i>HARNESS.REDMAX.Z500X.KAWI.EFI</i>	1	-
11	574455501	KEY <i>KEY</i>	1	-



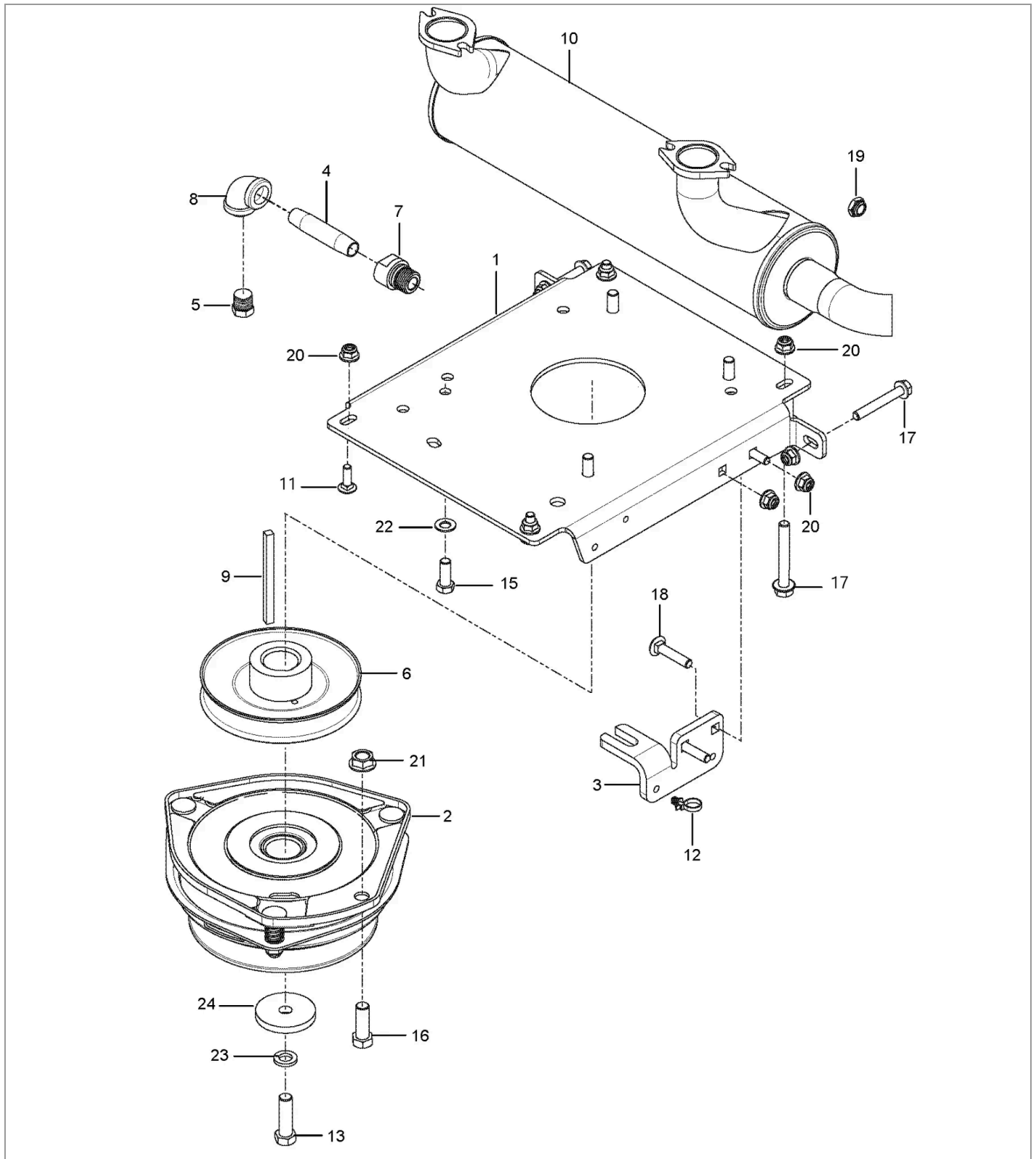
# DECALS



Ref.	Article N.	Description	Qty	Kit
1	574438801	DECAL DECAL. 72 BELT ROUTING	1	-

Ref.	Article N.	Description	Qty	Kit
2	599844701	DECAL DECAL.ZTR.MOTNCNTRL/PKBRK.Z500	1	-
2	599844702	DECAL DECAL.ZTR.MOTNCNTRL/PKBRK.Z500	1	-
3	538688506	GUARD DECAL.GUARD	1	-
3	538688505	GUARD DECAL.GUARD	1	-
4	589357902	DECAL DECAL.DECK.CLEARCUT.NOSTEP	2	-
5	529527001	DECAL DECAL.ZTR.WARNING.BATTERY.SYMB	1	-
6	539105744	DECAL DECAL - EURO DANGER-BELT	2	-
7	581724401	DECAL DECAL.6MIL.DEF.SHLD.WARN	1	-
8	599845001	DECAL DECAL.ZTR.SADDLE.WARN.PZ500	1	-
9	596341001	DECAL DECAL.DECK.72REDMAX.RED	1	-
10	529642401	DECAL DECAL.ROPS.Z500.2200LBS.998KG	1	-
11	574569002	DECAL DECAL.ROPS.WARNING	1	-
12	599844901	DECAL DECAL.FUSE.PZ.Z500.ENGINEONLY	1	-
13	584904602	DECAL DECAL.DECK.DEFLECTOR.WARNING	1	-
14	590799101	DECAL DECAL.EMBLEM.3D.REDMAX	1	-
15	599844401	DECAL DECAL.Z500.DECKLIFT.REDMAX	1	-
16	546830901	DECAL DECAL.ZTR.SAD.COMM/CZT72TX	1	-
17	599755201	DECAL DECAL.Z400	1	-
18	534102503	DECAL DECAL.ZTR.CNTRL.PANEL.REDMAX	1	-
19	599844201	DECAL DECAL.ZTR.TRANS/WARN/INST.Z500	1	-
20	590801001	DECAL DECAL.FUEL	1	-
21	599844902	DECAL DECAL.FUSE.PZ.Z500.ENG/FR	1	-
22	529642402	DECAL DECAL.ROPS.Z500.2200LBS.998KG	1	-
23	596344801	DECAL DECAL.ZTR.FUELSELECT.ENG/FRE	1	-
24	585302301	DECAL DECAL.ROPS.WARNING.EN/FR	1	-
25	585302001	DECAL DECAL.DECK.6MIL.DEFLT/WARN.E/F	1	-

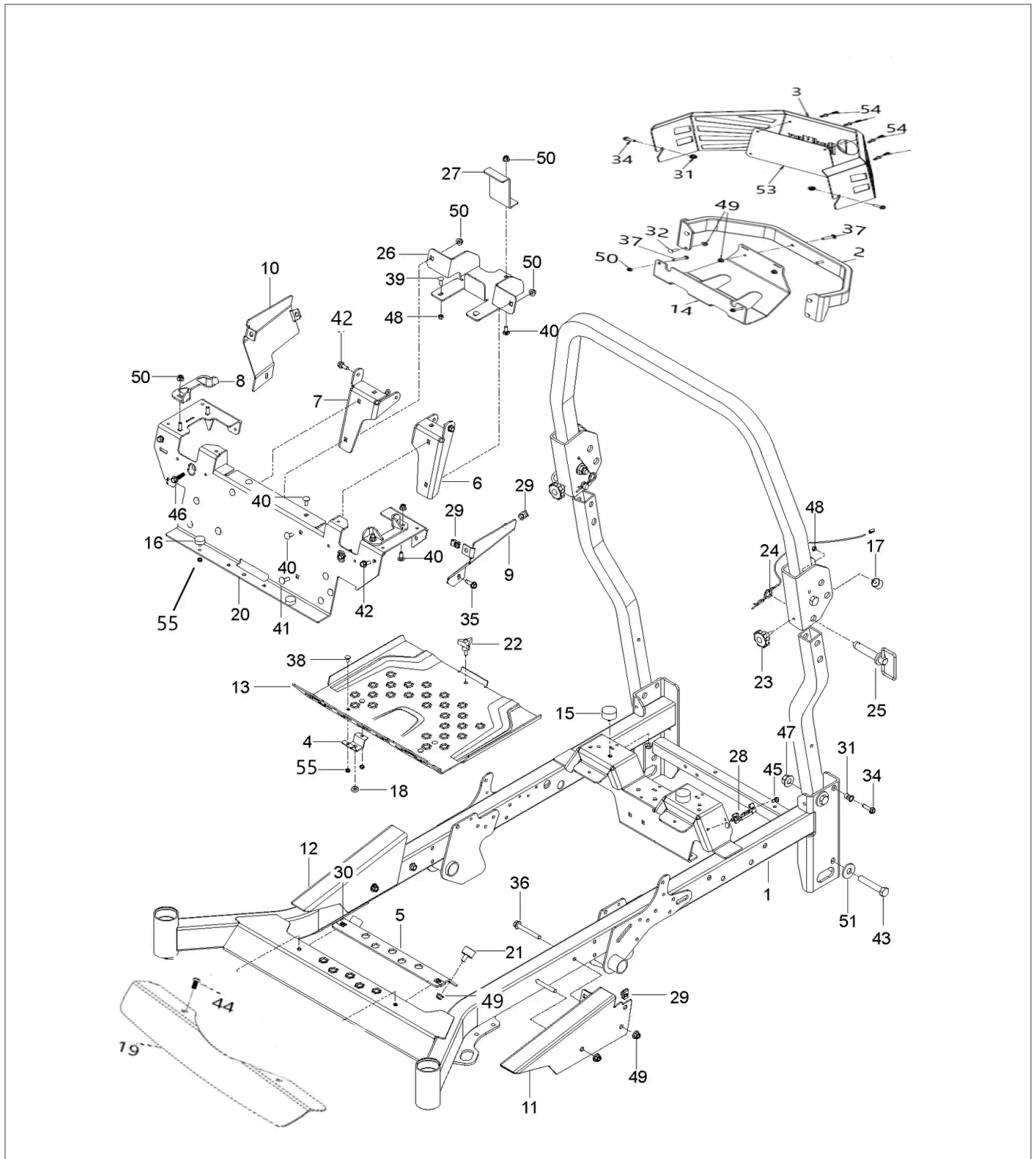
# ENGINE MOUNTING, GUARDS AND MUFFLER



Ref.	Article N.	Description	Qty	Kit
1	53666802	PLATE <i>ENGINE.PLATE.X431</i>	1	-

Ref.	Article N.	Description	Qty	Kit
2	547104201	CLUTCH CLUTCH GT5-EH01	1	-
3	547035202	BRACKET CLUTCH.STOP.BRACKET.BLACK.X431	1	-
4	539118911	NIPPLE 3/8` PIPE NIPPLE 3`	1	-
5	522837001	PLUG PLUG, DRAIN, 3/8 NPTF	1	-
6	510019801	PULLEY PULLEY, ENGINE	1	-
7	522599003	ADAPTER ADAPTER.OIL.DRAIN	1	-
8	539105072	90DEG.ELBOW 3/8NPT ELBOW-90 3/8 NPT	1	-
9	525749901	KEY KEY, 1/4 SQ X 3.5	1	-
10	589628501	EXHAUST MUFFLER.EXHAUST.FX921V	1	-
11	595901501	BOLT BOLT.CUP.SQ.NCK.5/16-18 X 1.02	2	-
12	591367101	CABLE CABLE.TIE.6.FIRTREE.PZ.REFRES	1	-
13	581332805	BOLT BOLT.ELEC.CLUTCH1.5CLR.ZN	1	-
15	596564401	BOLT BOLT.HEX.HEAD.3/8-16 X 1	4	-
16	525834202	SCREW HHFS.W/COLLAR.3/8-16X1-1/4 GR5	1	-
17	574233802	SCREW HHFS.5/16 X 2.25 GD5.CLR.ZINC	4	-
18	596030801	BOLT BOLT.RDHD.SQ.5/16-18X1 1/2.GR5	2	-
19	596031501	LOCK NUT LOCK.NUT.188 X.218.CLEAR.ZINC	1	-
20	594944401	NUT NUT.HEX.FLNG.5/16-18.NYLOC.CLR	8	-
21	73900600	NUT NUT.LOCK.FLG.3/8-16UNC	1	-
22	539102593	WASHER WASH 3/8 DISC SPRING SPEC	4	-
23	596238901	WASHER WASHER.7/16 IN.CLR.Zn	1	-
24	539125626	WASHER BLADE WASHER	1	-
25	586839801	GASKET GASKET	1	-

# FRAME

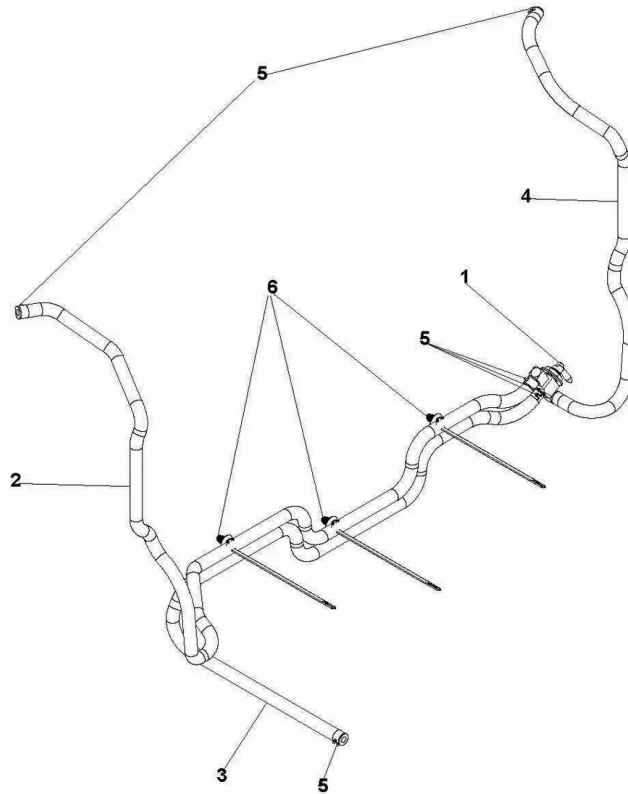
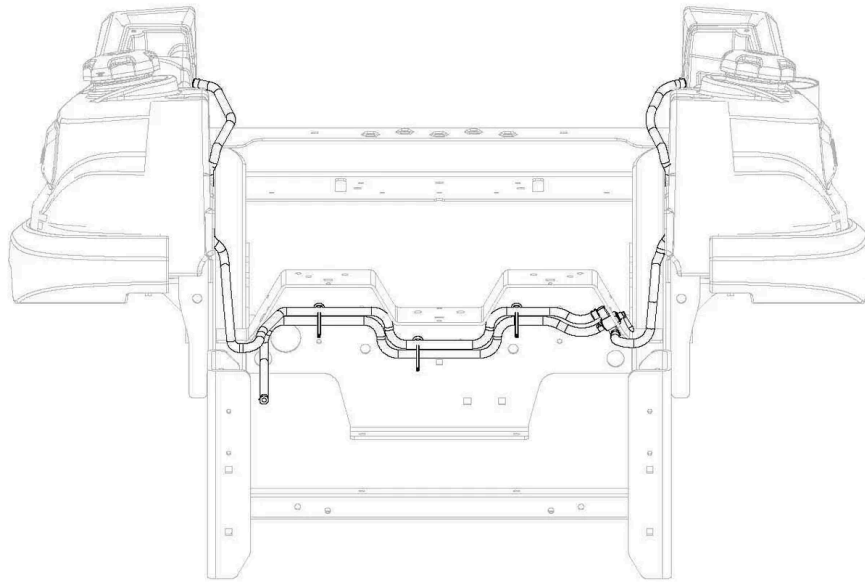


Ref.	Article N.	Description	Qty	Kit
1	591359803	FRAME FRAME.COMM.72 WELDMENT REDX672	1	-

Ref.	Article N.	Description	Qty	Kit
2	522675705	BUMPER BUMPER.REAR.SNAP.RED	1	-
3	574299108	GUARD GUARD.REAR.MS428 BLACK	1	-
4	589808802	BRACKET BRACKET.PNT.FLOORPAN.BMPR	2	-
5	595528902	BRACKET BRACKET.PNT.ISOLATOR.SUPPT.BLK	1	-
6	596789202	BRACKET BRACKET.PNT.MTG.SEAT.LH	1	-
7	596789204	BRACKET BRACKET.PNT.MTG.SEAT.RH	1	-
8	582481101	BRACKET BRACKET.STOP	2	-
9	595327505	PANEL PANEL.CLOSE.OUT.LH.RED	1	-
10	595327506	PANEL PANEL.CLOSEOUT.RH.RED	1	-
11	582480805	PANEL PANEL.WEDGE.LH.MS672.RED	1	-
12	582480806	PANEL PANEL.WEDGE.RH.MS672.RED	1	-
13	589304603	PLATE PLATE.FLOOR.PAN.X672 RED	1	-
14	596694103	PLATE PLATE.SKID.LONG.YAMAHA	1	-
15	582478702	BUMPER BUMPER.5/16-18	2	-
16	575811501	BUMPER BUMPER, 1/4-20 STUD, 3/8	2	-
17	522801401	BUMPER BUMPER, MALE STUD, 1/4-20	2	-
18	539102587	ABSORBER GROMMET, BUMPER	2	-
19	599868702	COVER COVER.BUMPER.MS428 BLK	1	-
20	582480506	CROSS MEMBER CROSSMEMBER.SEAT.FRNT.W/HOLES	1	-
21	589744002	ISOLATOR ISOLATOR.PZ.FOOTREST.CLR.Zn	2	-
22	597783101	KNOB KNOB.3WING.5/16-18.CLR.ZN	1	-
23	591344501	KNOB KNOB	2	-
24	591101702	PIN PIN.HAIR.DBL.LOOP.W/LNYRD.ZINC	2	-
25	591101602	PIN PIN.ROPS.W/HANDLE.CLEAR.ZINC	2	-
26	596750302	PLATE PLATE.BATTERY.PNT	1	-
27	582460606	BRACKET BRACKET.PNT.MOUNT.BATTERY	1	-
28	589500701	BRACKET BRACKET.FUSE.RELAY.HOUSING.PZ	1	-

Ref.	Article N.	Description	Qty	Kit
29	539104763	CLIP NUT.5/16-18.RETAINER-U.TYPE	7	-
30	589806801	NUT NUT.U-NUT.3/8-16.LONG.BARREL	2	-
31	594977401	NUT NUT.RIVET.5/16-18	2	-
32	595901101	BOLT BOLT.3/8-16 X 1.27 GR5 CLR ZN	4	-
34	525544002	BOLT BOLT.HEXAGON.HEAD.5/16-18X1.25	2	-
35	596433801	SCREW SCREW.HEX.W/WSHR 5/16-18 X 1	4	-
36	577117702	BOLT HHFS.3/8-16 X 3.GR5.CLEAR.ZINC	4	-
37	595901401	BOLT BOLT.3/8-16 X 2.02.GR5 CLR ZN	2	-
38	596133401	BOLT BOLT.CARRIAGE.1/4-20 X .50.GR5	4	-
39	596238401	BOLT BOLT.CARR.1/4-20X3/4.GR5.CLRZN	2	-
40	595901601	BOLT BOLT.CUP.5/16-18 X 3/4.CLR.ZNC	1	-
41	595901501	BOLT BOLT.CUP.SQ.NCK.5/16-18 X 1.02	2	-
42	596240701	BOLT BOLT.HEX.5/16-18 X 21/32	4	-
43	580754602	BOLT BOLT.HCS.5/8-11X3-1/2.CLR.ZINC	6	-
44	589797202	SCREW SCREW.BUTTON.HEAD.3/8-16X1.125	2	-
45	596135801	BOLT BOLT.HEX.1/4-20 X 1/2.CLR.ZINC	2	-
46	585986101	BOLT SCREW.SHAKEPROOF.1.25.BLACK	2	-
47	525829102	NUT NUT.5/8-11 FLNG.NYLOC.CLR.ZINC	6	-
48	539976978	NUT NUT.HEX.1/4-20 NYLOC ZD	2	-
49	521996502	NUT NUT.HEX.LOCK.W/FLANGE.3/8-16	12	-
50	594944401	NUT NUT.HEX.FLNG.5/16-18.NYLOC.CLR	21	-
51	594946401	WASHER WASHER.PLAIN.688X1.75X.138St	4	-
52	590877802	ROPS ROPS ASSY	1	-
53	538644402	PLATE PLATE.BACKING.REDMX.RR	1	-
54	531390601	RIVET RIVET.4X20.STAINLESS.MULTIGRIP	4	-
55	596031501	LOCK NUT LOCK.NUT.188 X.218.CLEAR.ZINC	2	-

# FUEL SYSTEM

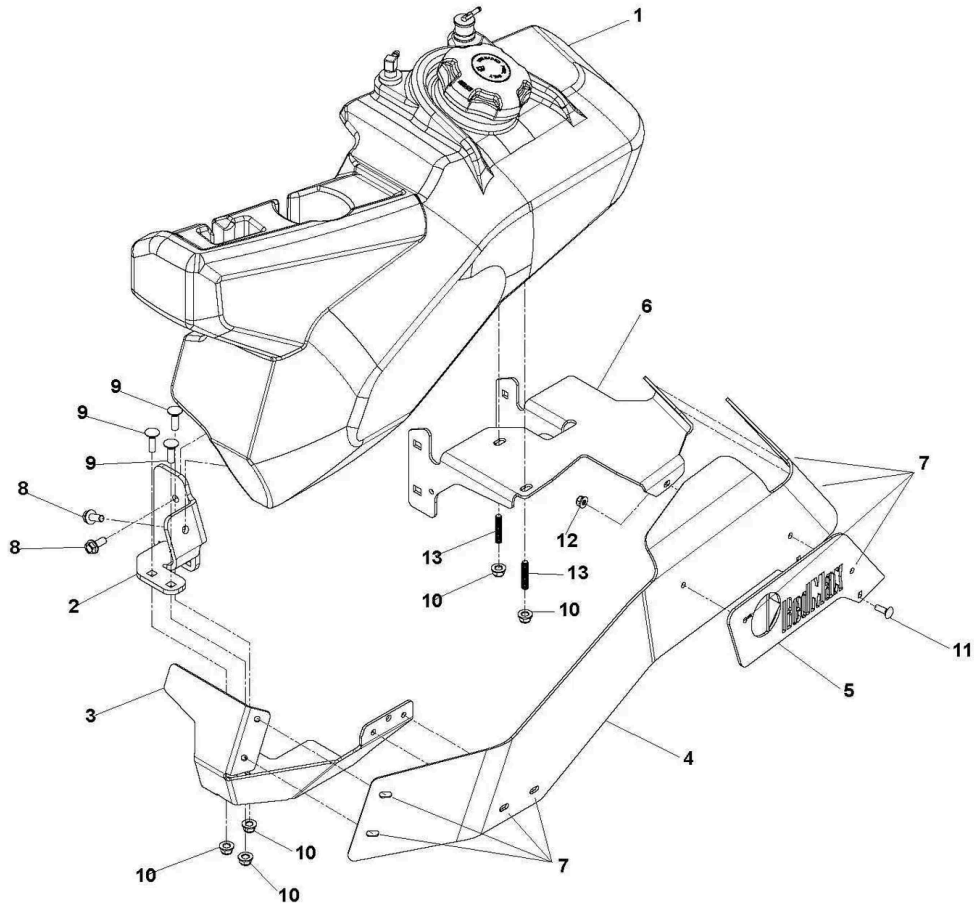


Ref.	Article N.	Description	Qty	Kit
1	598462501	VALVE VALVE.FUEL.TANK	1	-



<b>Ref.</b>	<b>Article N.</b>	<b>Description</b>	<b>Qty</b>	<b>Kit</b>
2	587044841	HOSE <i>HOSE.1/4.LOW.PERM.FUEL.LN.41</i>	1	-
3	587044809	587044809 <i>HOSE.1/4.LOW.PERM.FUEL.LN.9</i>	1	-
4	587044824	HOSE <i>HOSE.1/4.LOW.PERM.FUEL.LN.24</i>	1	-
5	532123487	HOSE CLAMP <i>CLAMP.HOSE.BLK</i>	6	-
6	591367101	CABLE <i>CABLE.TIE.6.FIRTREE.PZ.REFRES</i>	3	-

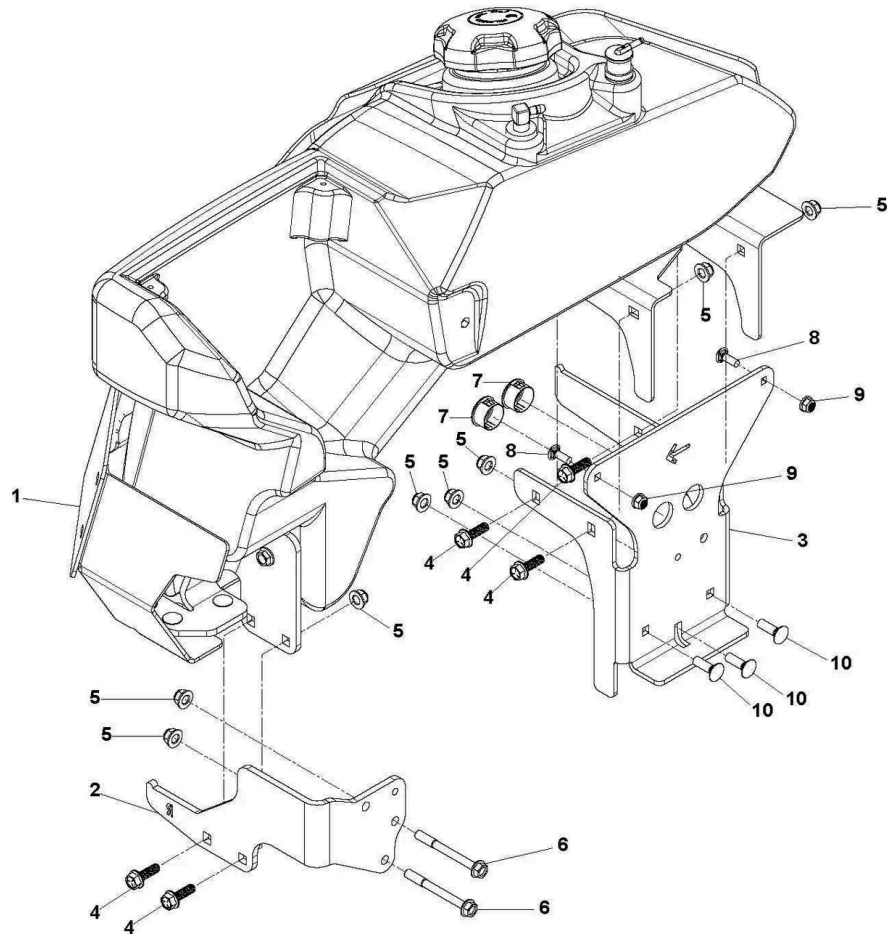
# FUEL TANK



Ref.	Article N.	Description	Qty	Kit
1	589997304	FUEL TANK ASSY FUEL.TANK.ASM.LH.PZ.EPA.23.BLK	1	-

Ref.	Article N.	Description	Qty	Kit
1	590026012	FUEL TANK ASSY <i>FUEL.TANK.ASM.rH.PZ.EPA.23.BLK</i>	1	-
2	529516803	BRACKET <i>BRCKET.TNK.FRT.LH</i>	1	-
2	529516804	BRACKET <i>BRACKET.TNK.FRT.RH</i>	1	-
3	529517004	GUARD <i>GUARD.TANK.FRONT.CZTX.RH</i>	1	-
3	529517003	GUARD <i>GUARD.TANK.FRONT.CZTX.LH</i>	1	-
4	529517109	GUARD <i>GUARD.TANK.MID.CZT&amp;CZTX.LH</i>	1	-
4	529517110	GUARD <i>GUARD.TANK.MID.CZTTX.RH</i>	1	-
5	538688506	GUARD <i>GUARD.TANK.LOGO.RH.</i>	1	-
5	538688505	GUARD <i>GUARD.TANK.LOGO.LH.</i>	1	-
6	529517404	GUARD <i>GUARD.TANK.REAR.CZTX.RH.431</i>	1	-
6	529517403	GUARD <i>GUARD.TANK.REAR.CZTX.LH.431</i>	1	-
7	531390601	RIVET <i>RIVET.4X20.STAINLESS.MULTIGRIP</i>	16	-
8	592858701	BOLT <i>BOLT.5/16-18X3/4.HEX.FLNG.HEAD</i>	4	-
9	595901501	BOLT <i>BOLT.CUP.SQ.NCK.5/16-18 X 1.02</i>	6	-
10	594944401	NUT <i>NUT.HEX.FLNG.5/16-18.NYLOC.CLR</i>	10	-
11	596238401	BOLT <i>BOLT.CARR.1/4-20X3/4.GR5.CLRZN</i>	4	-
12	582478602	NUT <i>NUT.FLG.NYLOCK.1/4-20GR G</i>	4	-
13	582484201	SCREW <i>SCREW.5/16-18X1.25THREADED</i>	4	-

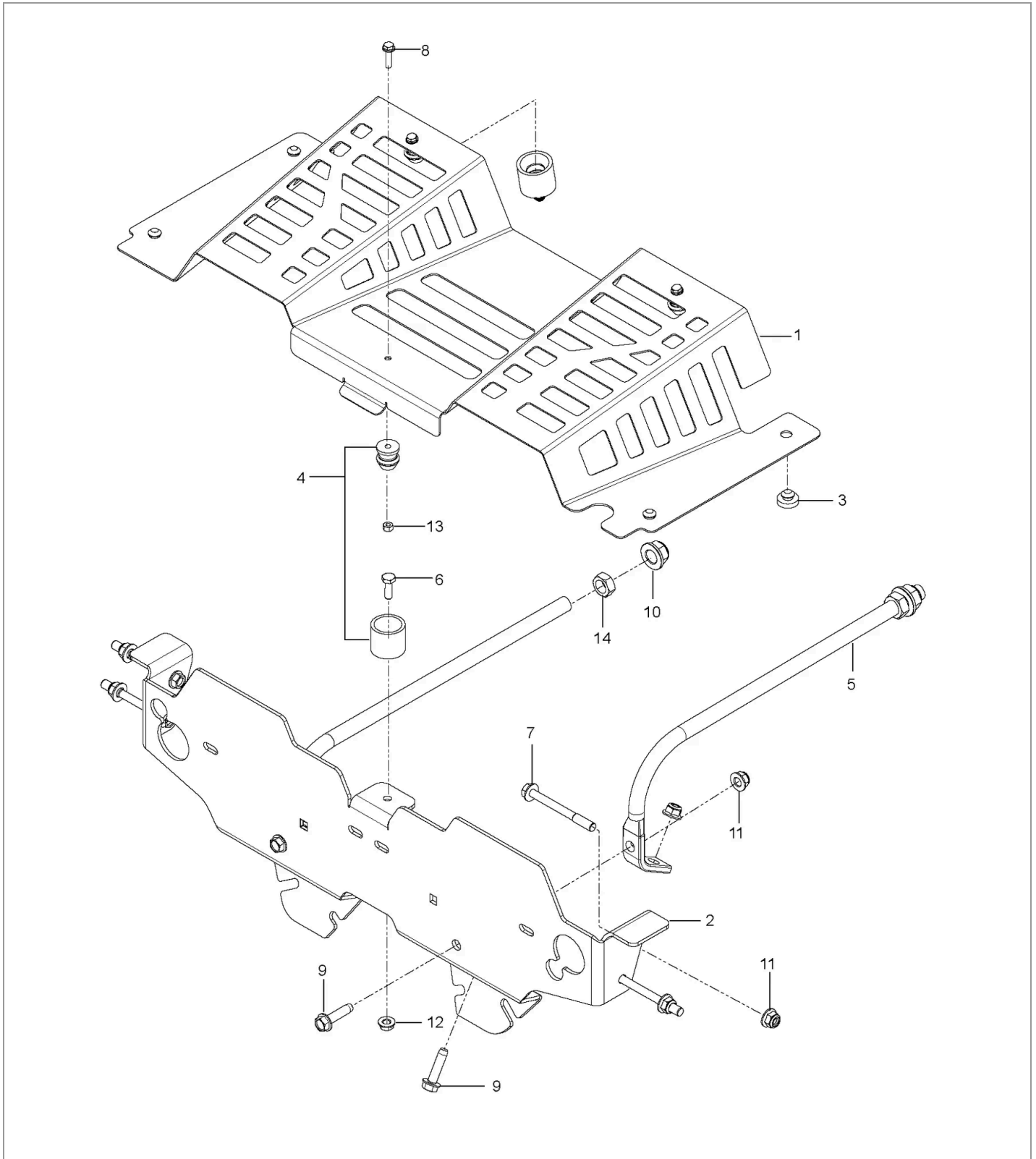
# FUEL TANK



Ref.	Article N.	Description	Qty	Kit
1	900000002	DUMMY PART <i>DUMMY PART</i>	1	-

Ref.	Article N.	Description	Qty	Kit
2	529516703	BRACKET <i>BRACKET.FRM.FRT.TNK.CZTX.LH</i>	1	-
2	529516704	BRACKET <i>BRACKET.FRM.FT.TANK.CZTX.RH</i>	1	-
3	529517704	BRACKET <i>BRACKET.FRM.RR.TANK.CZTX.RH.431</i>	1	-
3	529517703	BRACKET <i>BRACKET.FRM.RR.TANK.CZTX.LH.431</i>	1	-
4	594911801	SCREW <i>SCREW.HEX 5/16-18 X 1.0 5/16G5</i>	12	-
5	594944401	NUT <i>NUT.HEX.FLNG.5/16-18.NYLOC.CLR</i>	22	-
6	874490548	BOLT <i>BOLT.HEX.FLGHD.5/16-18.X3.0.G5</i>	4	-
7	596773901	BUSHING <i>BUSHING.THICK.PANEL.SNAP.</i>	4	-
8	596238401	BOLT <i>BOLT.CARR.1/4-20X3/4.GR5.CLRZN</i>	4	-
9	582478602	NUT <i>NUT.FLG.NYLOCK.1/4-20GR G</i>	4	-
10	595901501	BOLT <i>BOLT.CUP.SQ.NCK.5/16-18 X 1.02</i>	6	-

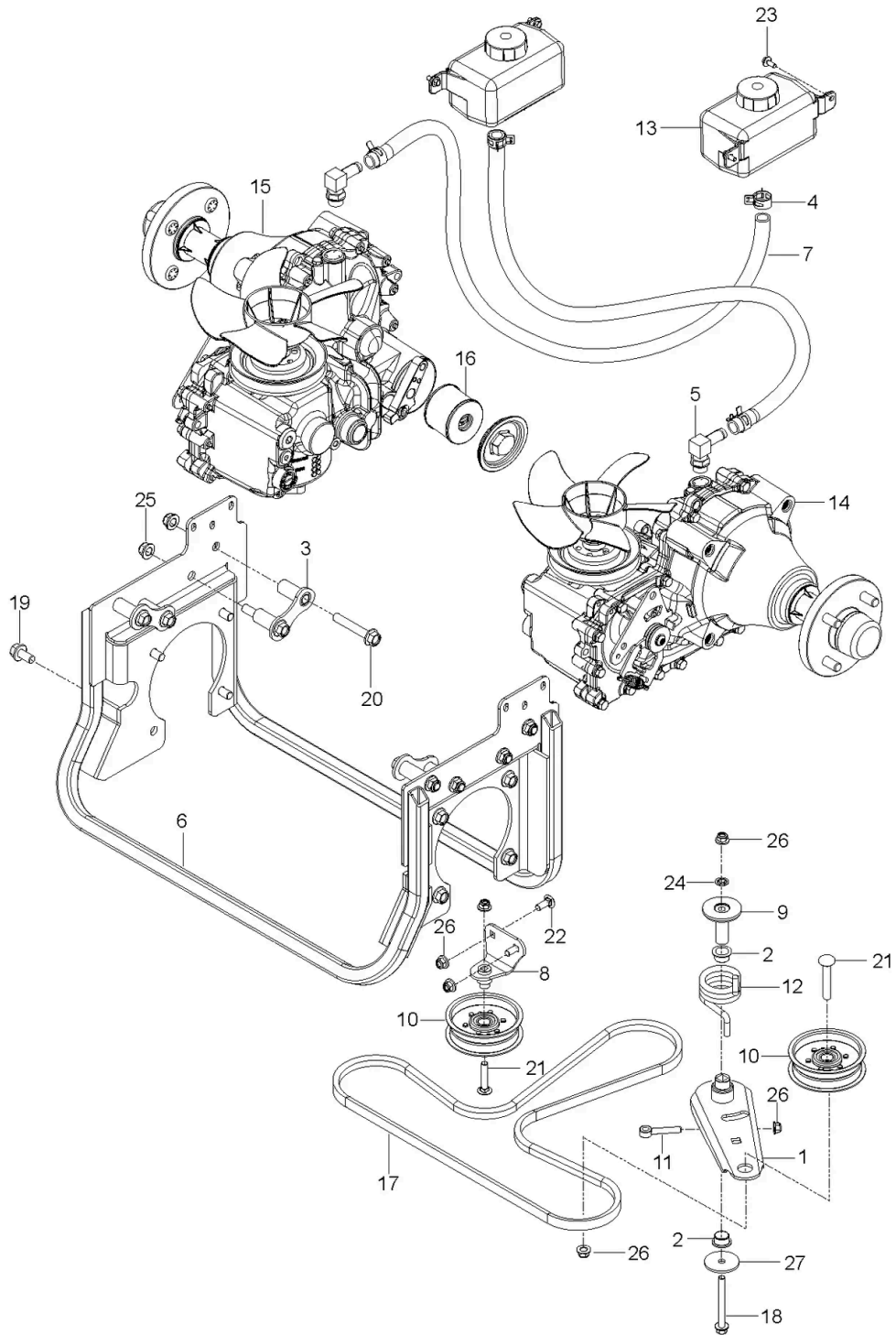
# GUARDS



Ref.	Article N.	Description	Qty	Kit
1	582461502	SHIELD SHIELD.PNT.FAN.GROMMET.E-DIP	1	-

Ref.	Article N.	Description	Qty	Kit
2	582461207	BRACKET <i>BRACKET.ANCHOR.CABLE</i>	1	-
3	539102587	ABSORBER <i>GROMMET, BUMPER</i>	4	-
4	582461701	HOLDER ASSY <i>HOLDER.ASM.STEM.BASE.WASHER</i>	1	-
5	582461304	ROD <i>ROD.CROSS.MEMBER.ANCHOR.CABLE</i>	2	-
6	596230901	SCREW <i>SCREW.HEX.1/4-20X3/4.GR5</i>	3	-
7	874490548	BOLT <i>BOLT.HEX.FLGHD.5/16-18.X3.0.G5</i>	4	-
8	503200001	SCREW EHHFM <i>SCREW.EHHFM.M5X20/20 10.9.TBO</i>	3	-
9	587592102	SCREW <i>SCREW.THDROL.5/16-18X1.25TYTT</i>	4	-
10	521991102	NUT <i>1/2-13.HEX.FLANGE.NYLOK</i>	2	-
11	594944401	NUT <i>NUT.HEX.FLNG.5/16-18.NYLOC.CLR</i>	8	-
12	532191730	NUT <i>NUT.HEX.FLANGE.1/4-20.CTR.LOCK</i>	3	-
13	731231405	HEXAGON NUT <i>NUT.HEX-M5 X.8</i>	3	-
14	596433401	NUT <i>NUT.JAM.HEX.1/2-13 X 3/4</i>	2	-

# HYDRAULIC PUMP - MOTOR

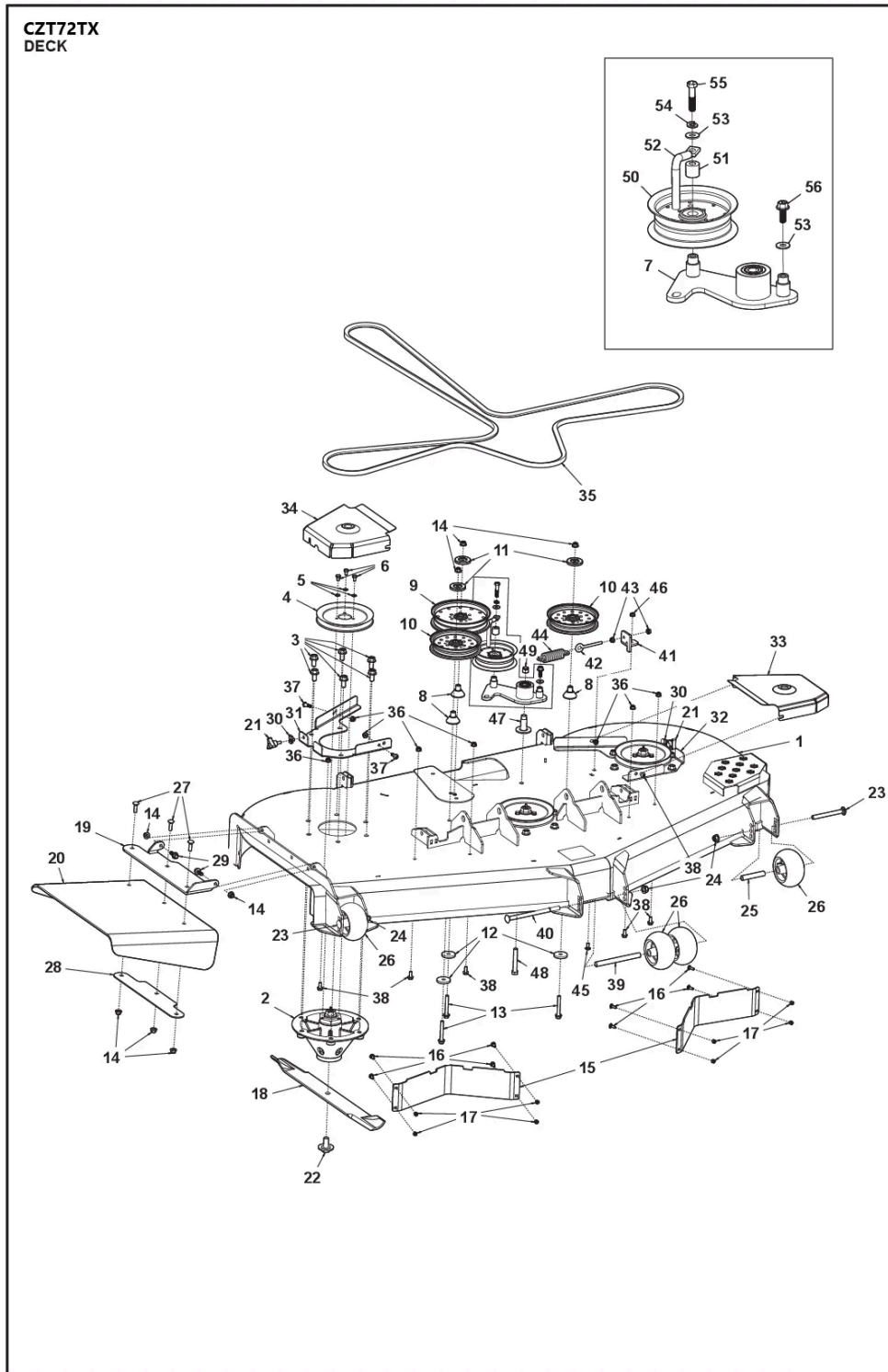


Ref.	Article N.	Description	Qty	Kit
1	582463102	ARM ARM.PNT.IDLER	1	-



Ref.	Article N.	Description	Qty	Kit
2	501603701	BEARING <i>BEARING.FLANGED.PLASTIC.3/4ID</i>	2	-
3	582479102	BRACKET <i>BRACKET.PNT.MTG.XMSN.EDIP</i>	4	-
4	582480101	CLAMP <i>CLAMP.CT.15/16HOSE.OD</i>	1	-
5	529311401	FITTING <i>FITTING, 4601-10-10 NOW</i>	2	-
6	582479404	FRAME <i>FRAME.PNT.XMSN.ZT-5400.EDIP</i>	1	-
7	582480208	HOSE <i>HOSE.HYD.5/8ID.7/8OD.350PSI.27</i>	2	-
8	586933802	MOUNT <i>MOUNT.PNT.IDLER.FIXED.EDIP</i>	1	-
9	582468102	SHAFT <i>SHAFT.MOUNT.ARM.IDLER</i>	1	-
10	587654101	PULLEY <i>PULLEY.IDLER.BACKSIDE</i>	1	-
11	582716201	ROD END <i>ROD.END.3/8-16 X 3.STEEL</i>	1	-
12	582468401	SPRING <i>SPRING.TORSION</i>	1	-
13	574499201	TANK <i>TANK, EXPANSION</i>	2	-
14	582480001	TRANSMISSION <i>TRANSMISSION.ZT-5400.LH</i>	1	-
15	582480002	TRANSMISSION <i>TRANSMISSION.ZT-5400.RH</i>	1	-
16	576127201	FILTER <i>FILTER</i>	1	-
17	582480402	V-BELT <i>V-BELT.BX.69 ZT-5400</i>	1	-
18	596637401	SCREW <i>SCREW.HEX.FLNG.3/8-16 X 3-1/2</i>	1	-
19	574210602	SCREW <i>SCREW.HHFS.1/2-13 X 1.GR5.CLR</i>	8	-
20	596789601	BOLT <i>BOLT.HHW/F.1/2-13X3 GR5</i>	8	-
21	595901401	BOLT <i>BOLT.3/8-16 X 2.02.GR5 CLR ZN</i>	1	-
22	595316801	BOLT <i>BOLT.CUP.HEAD.SQR.NCK.3/8-16X1</i>	2	-
23	532165857	SCREW <i>SCREW</i>	4	-
24	539913847	BOLT <i>NUT 3/8 PALNUT RTNG BLK PHOS</i>	1	-
25	521991102	NUT <i>1/2-13.HEX.FLANGE.NYLOK</i>	8	-
26	521996502	NUT <i>NUT.HEX.LOCK.W/FLANGE.3/8-16</i>	2	-
27	596135501	WASHER <i>WASHER.13/32 X 2.CLEAR.ZINC</i>	1	-

# MOWER DECK / CUTTING DECK



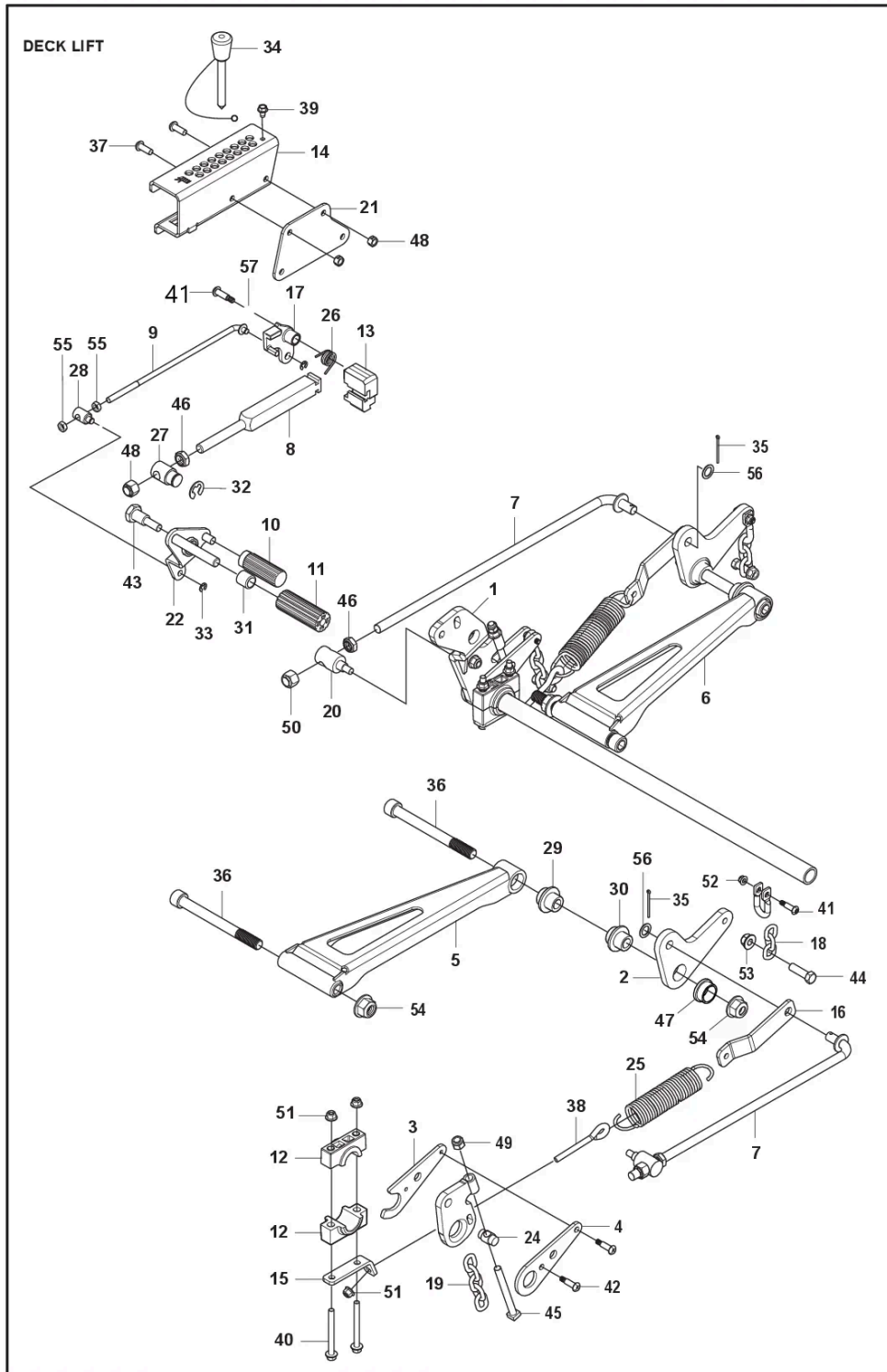
Ref.	Article N.	Description	Qty	Kit
1	547067202	CUTTING DECK DECK.72	1	-

Ref.	Article N.	Description	Qty	Kit
2	580943306	SPINDLE SPINDLE.ASM.IRON	1	-
3	574210602	SCREW SCREW.HHFS.1/2-13 X 1.GR5.CLR	18	-
4	539130647	PULLEY PULLEY - 7.50	3	-
5	596565001	WASHER WASHER;5/16X0.042IN ST CLR.ZN	9	-
6	596433301	BOLT BOLT.HEX.5/16-18X1/2GR5	9	-
7	547049101	ARM ARM.IDLER	1	-
8	510263701	BEARING BEARING, IDLER ARM	3	-
9	510015102	PULLEY PULLEY.IDLER.	1	-
10	597087101	PULLEY PULLEY.IDLER.6NARROW	2	-
11	510254502	SHIELD DUST SHIELD	3	-
12	596770301	WASHER WASHER_0.469 X 1.75 CLR ZINC	3	-
13	596436901	SCREW SCREW.HEX.3/8-16 X 2-3/4	3	-
14	521996502	NUT NUT.HEX.LOCK.W/FLANGE.3/8-16	8	-
15	574221802	BAFFLE BAFFLE.DIVERTER L.H.72.E-DIP	2	-
16	596238401	BOLT BOLT.CARR.1/4-20X3/4.GR5.CLRZN	8	-
17	595086601	NUT NUT.HEX.1/4-20 ST ZPB	8	-
18	539105476	BLADE BLADE-25	3	-
19	582467303	BRACKET BRACKET.CHUTE.ORG	1	-
20	582468801	CHUTE CHUTE.DISCHARGE	1	-
21	597783101	KNOB KNOB.3WING.5/16-18.CLR.ZN	2	-
22	539119007	SCREW BLADE BOLT/WASHER	3	-
23	510022302	SCREW SCREW.CUP.HEAD.1/2-13 X 4 3/4	4	-
24	521991102	NUT 1/2-13.HEX.FLANGE.NYLOK	5	-
25	574196402	TUBE TUBE.GAGE.ROLLER.ALXE	4	-
26	574169601	ROLLER ROLLER, GAUGE .635 BORE	6	-
27	595901101	BOLT BOLT.3/8-16 X 1.27 GR5 CLR ZN	3	-
28	590523702	PLATE PLATE.BACKING.DISCHARGE.CHT.BK	1	-

Ref.	Article N.	Description	Qty	Kit
29	525612802	SCREW <i>SCREW.HHF 3/8-16 UNCX1 G5</i>	2	-
30	539104763	CLIP <i>NUT.5/16-18.RETAINER-U.TYPE</i>	2	-
31	582463207	BRACKET <i>BRACKET.PULLEY.COVER.LH.PNT</i>	1	-
32	582463208	BRACKET <i>BRACKET.PULLEY.COVER.RH.PNT</i>	1	-
33	582463004	PULLEY <i>COVER.PULLEY.RH.PNT</i>	1	-
34	582463003	PULLEY <i>COVER.PULLEY.LH.PNT</i>	1	-
35	588264804	DRIVE BELT <i>BELT.5V.201</i>	1	-
36	594944401	NUT <i>NUT.HEX.FLNG.5/16-18.NYLOC.CLR</i>	9	-
36	538999601	PLUG <i>Can use in place of REF # 36 &amp; 38</i>	1	-
37	582476402	SCREW <i>SCREW.3/8DIA.SHLDR.5/16-18THR</i>	4	-
38	592858702	BOLT <i>BOLT.5/16-18X.75.HEX.FLANGE</i>	5	-
39	574196502	TUBE <i>TUBE.ROLLER.AXLE.LONG.CLR.ZINC</i>	1	-
40	594944501	BOLT <i>BLT.CUP.HD.SQR.1/2-13X8.0 G5</i>	1	-
41	536986807	BRACKET <i>BRCKT.EYEBOLT.E-DIP.BLK</i>	1	-
42	596240801	BOLT <i>BOLT.EYELET.5/16-18 X 3-1/2</i>	1	-
43	596039201	LOCK NUT <i>NUT.SER.FLANGE.LOCKNUT.5/16-18</i>	2	-
44	537563101	SPRING <i>SPRING.EXTENTION.CLR Zn</i>	1	-
45	595901601	BOLT <i>BOLT.CUP.5/16-18 X 3/4.CLR.ZNC</i>	1	-
46	596135701	LOCK NUT <i>NUT.LOCK.PRVL.TORQ.5/16-18X.68</i>	1	-
47	547048901	BUSHING <i>BUSHING INNER BUSHING</i>	1	-
48	596435301	BOLT <i>BOLT.HEXAGON.1/2-13 X 3-1/4</i>	1	-
49	596135601	LOCK NUT <i>LOCK.NUT.TORQUE.1/2-13 X .0609</i>	1	-
50	589766102	PULLEY <i>PULLEY</i>	1	-
51	538930301	SPACER <i>SPACER</i>	1	-
52	547076001	KEEPER <i>KEEPER</i>	1	-
53	596134901	WASHER <i>WASHER</i>	2	-
54	596238701	WASHER <i>WASHER</i>	1	-

<b>Ref.</b>	<b>Article N.</b>	<b>Description</b>	<b>Qty</b>	<b>Kit</b>
55	596583901	BOLT <i>BOLT</i>	1	-
56	596583101	SCREW <i>SCREW</i>	1	-

# MOWER LIFT / DECK LIFT



Ref.	Article N.	Description	Qty	Kit
1	582462602	SHAFT SHAFT.WLDMNT.FRNT.DECK.LFT.PNT	1	-

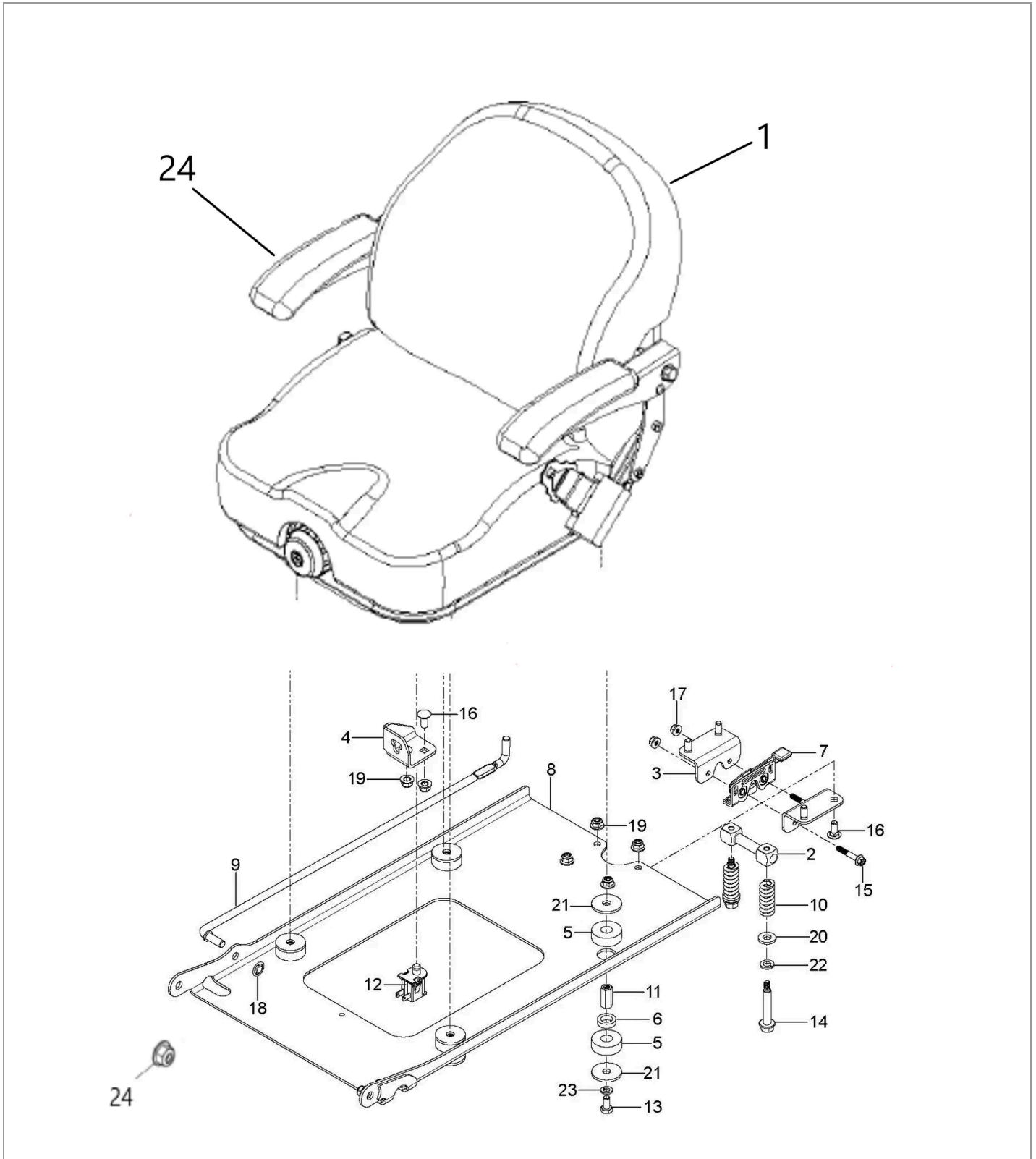
Ref.	Article N.	Description	Qty	Kit
2	582464702	ARM ARM.PNT.BELL.CRANK.REAR	2	-
3	582465402	ARM ARM.DECK.LIFT.INNER.BLACK	2	-
4	582463902	ARM ARM.LIFT.DECK.OUTER.POWER.BLK	2	-
5	582462001	ARM ARM.DRAWBAR.LH	1	-
6	582462002	ARM ARM.DRAWBAR.RH	1	-
7	599603101	ROD ROD.CONNECTING.DCKLFT.Z500	1	-
8	582472802	ROD ROD.HEIGHT.GAUGE.	1	-
9	582471402	ROD ROD.CONNECTING.TOE.RELEASE	1	-
10	510408302	PEDAL PEDAL,DECK.HEIGHT.CLR.Zn	1	-
11	510089501	PAD PAD	1	-
12	510023902	BLOCK BLOCK, PILLOW	4	-
13	582467202	BLOCK BLOCK.ROD.END	1	-
14	582466903	BRACKET BRACKET.HEIGHT.ADJUSTMENT.RED	1	-
15	582468902	BRACKET BRACKET.PILLOW.BLOCK.PNT.BLACK	2	-
16	593091902	BRACKET BRACKET.SPRING.ATTACH.PNT	1	-
17	582471202	LEVER LEVER.TRANSPORT.LOCK	1	-
18	594722001	CHAIN CHAIN.LIFT.3-LINK	2	-
19	594722002	CHAIN CHAIN.LIFT.5-LINK.CLEAR	2	-
20	582464802	PIVOT PIVOT.CONNECTING.ROD.CLR.Zn	2	-
21	582763903	PLATE PLATE.HEIGHT.GAUGE.MNT.RED	1	-
22	589453202	LEVER ASSY LEVER.ASM.RELEASE.TOE.CLR.ZINC	1	-
23	582469002	SHACKLE SHACKLE.CHAIN.CLR.Zn	2	-
24	582464202	SHAFT SHAFT.TRUNNION.ATTACH.CLR.ZINC	2	-
25	593091802	SPRING SPRING.EXTENSION.DECK.LIFT.BLK	2	-
26	582471302	SPRING SPRING.TORSION.RELEASE.LEVER	1	-
27	582467002	SWIVEL SWIVEL.HEIGHT.BAR.CLEAR.ZINC	1	-
28	582467102	SWIVEL SWIVEL.TOE.RELEASE	1	-

Ref.	Article N.	Description	Qty	Kit
29	582469902	BUSHING <i>BUSHING.INNER.DECK</i>	2	-
30	582469802	BUSHING <i>BUSHING.DECK.OUTER.CLR.Zn</i>	2	-
31	510089201	BUSHING <i>BUSHING</i>	5	-
32	812000053	E-CLIP <i>RING.E.#5133-100</i>	1	-
33	539990870	RING <i>E-RING.5133-37</i>	2	-
34	592914201	PIN <i>PIN.HGHT.GAUGE.50DIA.MAG.3.75</i>	1	-
35	595528801	PIN <i>PIN.COTTER.1/8 X 2</i>	2	-
36	582466702	SCREW <i>SCREW.SCKT.HD.CAP.3/4-10X7.5</i>	4	-
37	582472602	SCREW <i>SCREW.BUTTON.3/8-16 X 1.CLR.ZN</i>	2	-
38	574202002	BOLT <i>EYEBOLT.3/8 X 4 CLEAR.ZINC</i>	2	-
39	596030701	SCREW <i>SCREW.HEXAGON.5/16-18 X 1/2</i>	1	-
40	589786002	SCREW <i>SCREW.HHFS.3/8-16X3/-3/4 .GR8</i>	4	-
41	501064104	SCREW <i>SCREW.SHOULDER.5/16-18 X 1</i>	3	-
42	501064103	SCREW <i>SCREW.SHOULD.375.5/16-18 X 7/8</i>	4	-
43	510408202	BOLT <i>BOLT.SHOULDER.CLEAR.ZINC</i>	1	-
44	594944601	BOLT <i>BOLT.HHD.7/16 X 1.5 G5 ZPB</i>	4	-
45	582465602	SCREW <i>SCREW.SQ.HD.7/16-14X4.50.GR8</i>	2	-
46	589677702	NUT <i>NUT.HH.THIN.NYL.5/8-11 GR5</i>	3	-
47	582466501	BEARING <i>BEARING.FLANGED.1.25IDX.75</i>	2	-
48	595305901	NUT <i>NUT.HEX.LOCKNUT.3/8-16</i>	2	-
49	582464302	NUT <i>NUT.FLANGE.NYL7/16-14.CLR.ZN</i>	4	-
50	594977001	NUT <i>NUT.HEXAGON.5/8-11.UNC.G5.NYLC</i>	3	-
51	521996502	NUT <i>NUT.HEX.LOCK.W/FLANGE.3/8-16</i>	6	-
52	594944401	NUT <i>NUT.HEX.FLNG.5/16-18.NYLOC.CLR</i>	2	-
53	594993301	NUT <i>NUT.HEXAGON.W/FLANGE 7/16-14</i>	4	-
54	582466602	NUT <i>NUT.HEX.FLNG.3/4-10.NYL.CLR.ZI</i>	4	-
55	596029901	HEXAGON NUT <i>NUT.HEX. .227 X .562</i>	2	-



<b>Ref.</b>	<b>Article N.</b>	<b>Description</b>	<b>Qty</b>	<b>Kit</b>
56	596933401	WASHER <i>WASHER.PLAIN</i>	2	-
57	589368201	BEARING <i>BEARING.SLEEV..375X.500X.750LG</i>	1	-

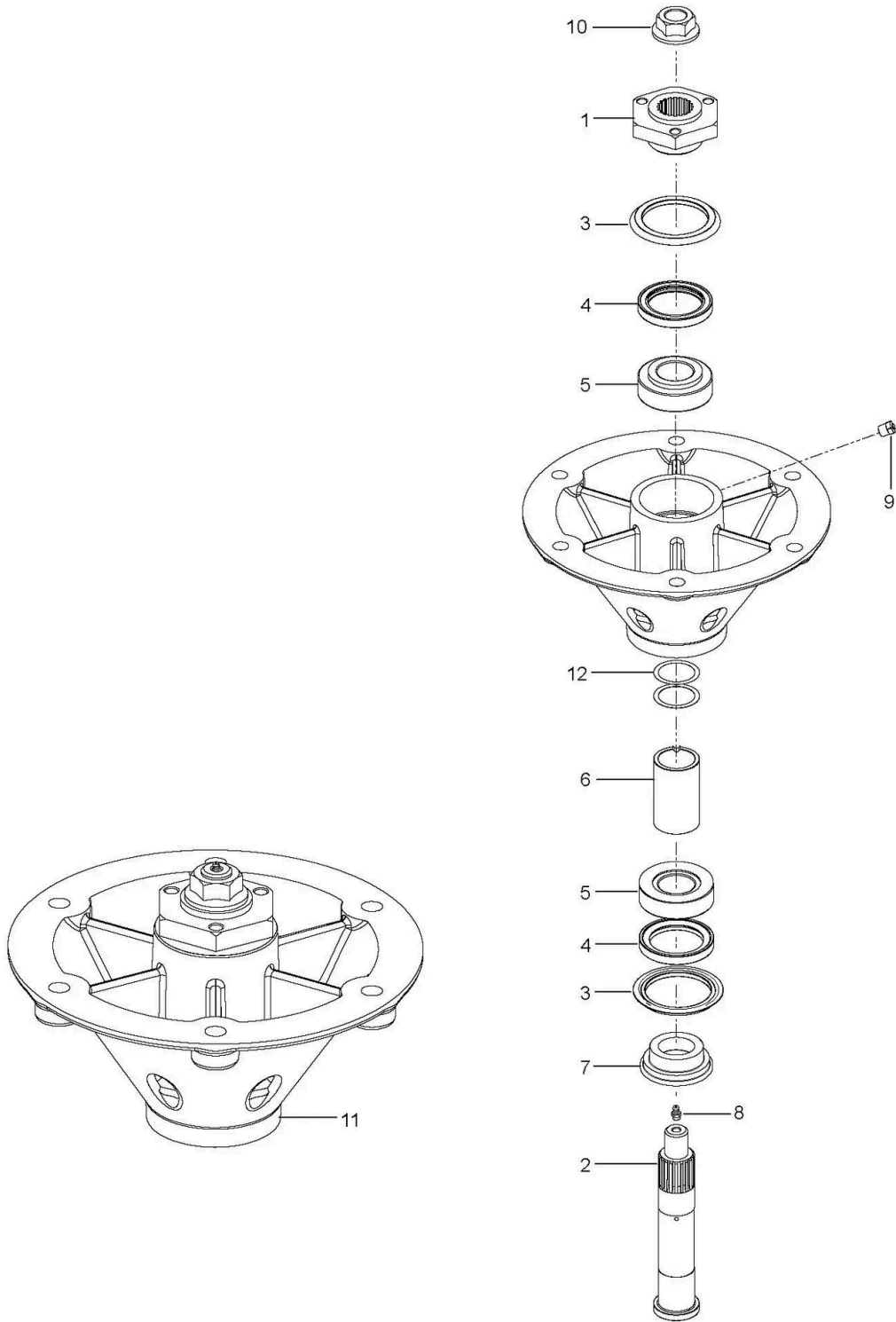
# SEAT



Ref.	Article N.	Description	Qty	Kit
1	590899806	SEAT SEAT.I3M.SUSP.REDMAX	1	-

Ref.	Article N.	Description	Qty	Kit
2	582478802	BAR BAR.LATCH.SEAT.CLEAR.ZINC	1	-
3	582478203	BRACKET BRACKET.MTG.LATCH	2	-
4	590555002	BRACKET BRACKET.SEAT.STAY.ROD	1	-
5	590481801	ISOLATOR ISOLATOR	8	-
6	539116377	INSERT ISO-MOUNT INSERT	4	-
7	590373501	LATCH LATCH.ROTARY	1	-
8	590506802	PLATE PLATE.PNT.MTG.SEAT.EDIP	1	-
9	590507202	ROD ROD.STAY.SEAT.CLR.ZN	1	-
10	594891901	SPRING SPRING	2	-
11	582478102	NUT NUT.HEX.5/16-18X1-1/8.CLR ZINC	4	-
12	532192749	SWITCH SWITCH	1	-
13	596031601	SCREW SCREW.HEX.5/16-18 X 5/8	4	-
14	582478902	SCREW SCREW.SHLDR.3/8DIAX2.5/16-18	2	-
15	582478502	SCREW SCREW.HHD W/FLG.1/4-20X1.5GR5	2	-
16	595901601	BOLT BOLT.CUP.5/16-18 X 3/4.CLR.ZNC	14	-
17	582478602	NUT NUT.FLG.NYLOCK.1/4-20GR G	2	-
18	539913847	BOLT NUT 3/8 PALNUT RTNG BLK PHOS	1	-
19	594944401	NUT NUT.HWZ.DLNF5/16-18	6	-
20	522023401	WASHER WASHER, 3/8 THICK	2	-
21	532413524	WASHER WASHER.13/32 X 1 X 1/2.11GAHRD	8	-
22	596238701	WASHER WASHER.SPRING.LOCK.381IDX.680	2	-
23	596238801	WASHER WASHER.LOCK.5/16.SQR.END.Zn	4	-
24	596135701	LOCK NUT NUT.LOCK.PRVL.TORQ.5/16-18X.68	2	-

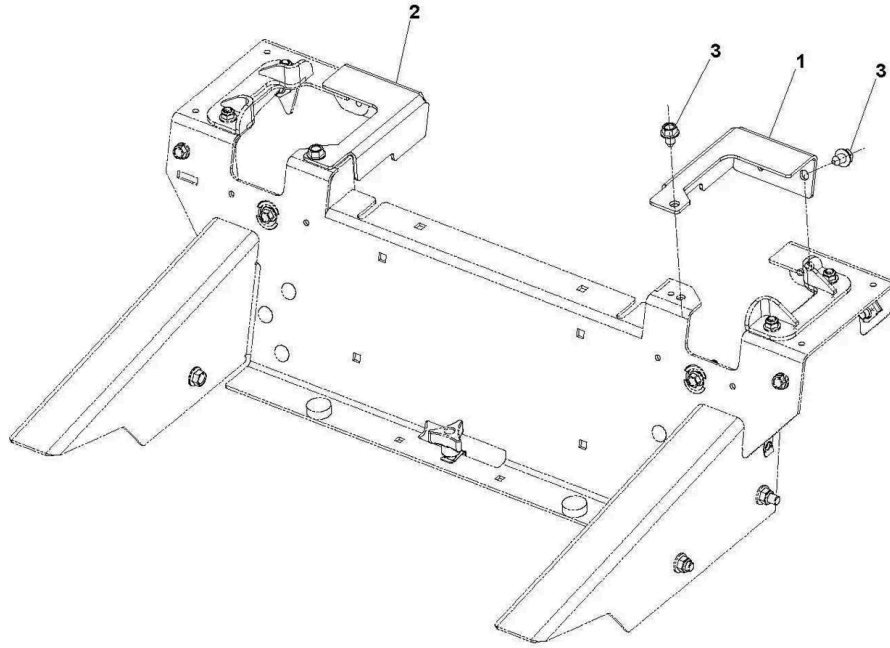
# SPINDLE



Ref.	Article N.	Description	Qty	Kit
1	580942201	HUB HUB	3	-

<b>Ref.</b>	<b>Article N.</b>	<b>Description</b>	<b>Qty</b>	<b>Kit</b>
2	580942101	SHAFT <i>SHAFT</i>	3	-
3	580942701	V-RING <i>V-RING</i>	6	-
4	580942601	SEAL <i>SEAL</i>	6	-
5	583911101	BEARING KIT <i>BEARING KIT</i>	3	-
6	580942301	SPACER <i>SPACER</i>	3	-
7	580942501	CARRIER <i>CARRIER</i>	3	-
8	539976998	NIPPLE <i>NIPPLE</i>	3	-
9	539977326	FITTING <i>FITTING</i>	3	-
10	539130653	NUT <i>NUT</i>	3	-
11	580941706	580941706 <i>SPINDLE</i>	3	-
12	580942801	SHIM <i>SHIM</i>	3	-
13	574754201	KIT <i>KIT</i>	1	-

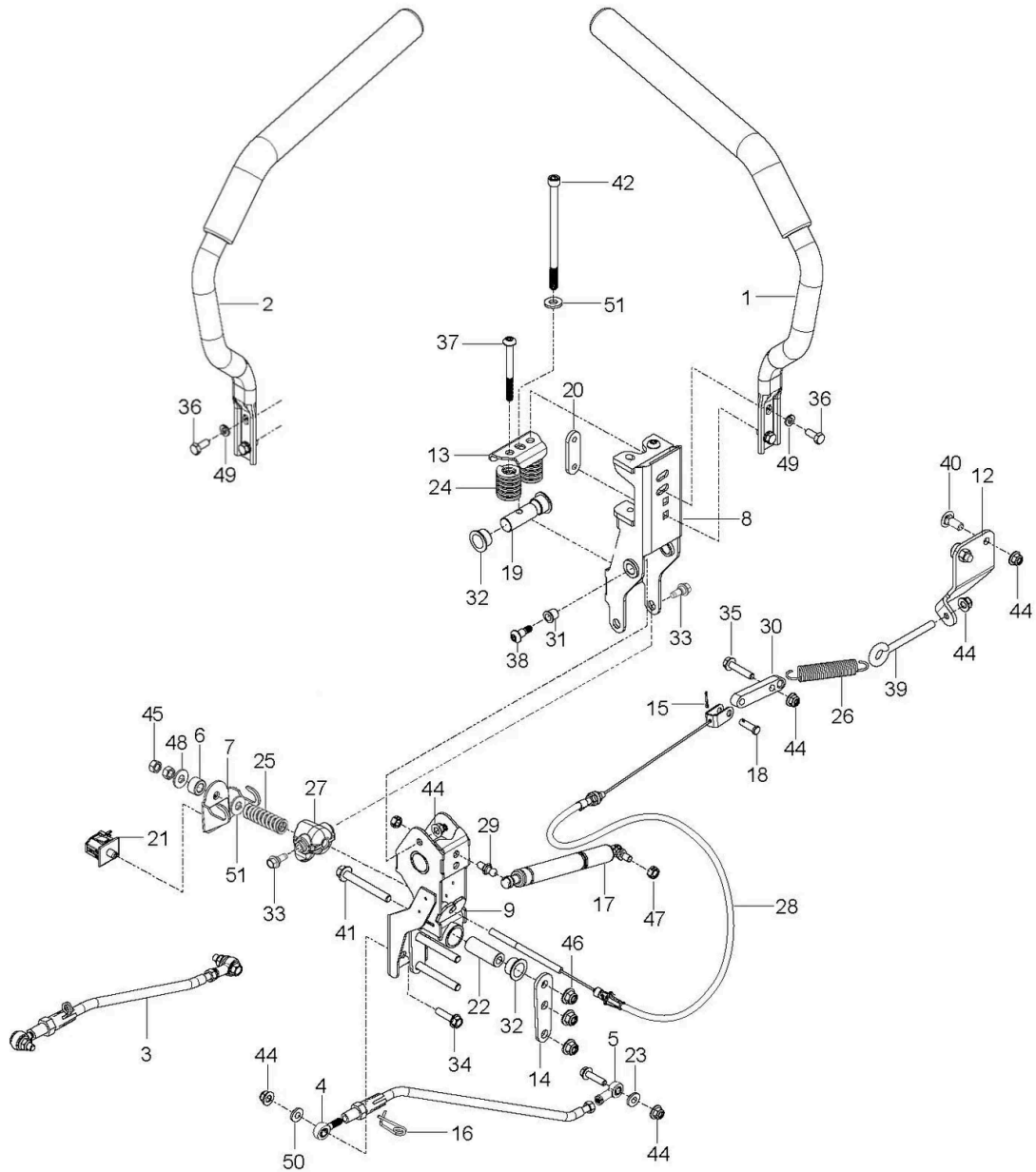
# STEERING



Ref.	Article N.	Description	Qty	Kit
1	599893005	COVER CLOSEOUT.Z500.LH.RED	1	-

<b>Ref.</b>	<b>Article N.</b>	<b>Description</b>	<b>Qty</b>	<b>Kit</b>
2	599893006	COVER <i>CLOSEOUT.Z500.RH.RED</i>	1	-
3	596564002	BOLT <i>BOLT.HHD.3/8-16X0.655 CLR.ZN</i>	4	-

# STEERING - CONTROLS AND DAMPER



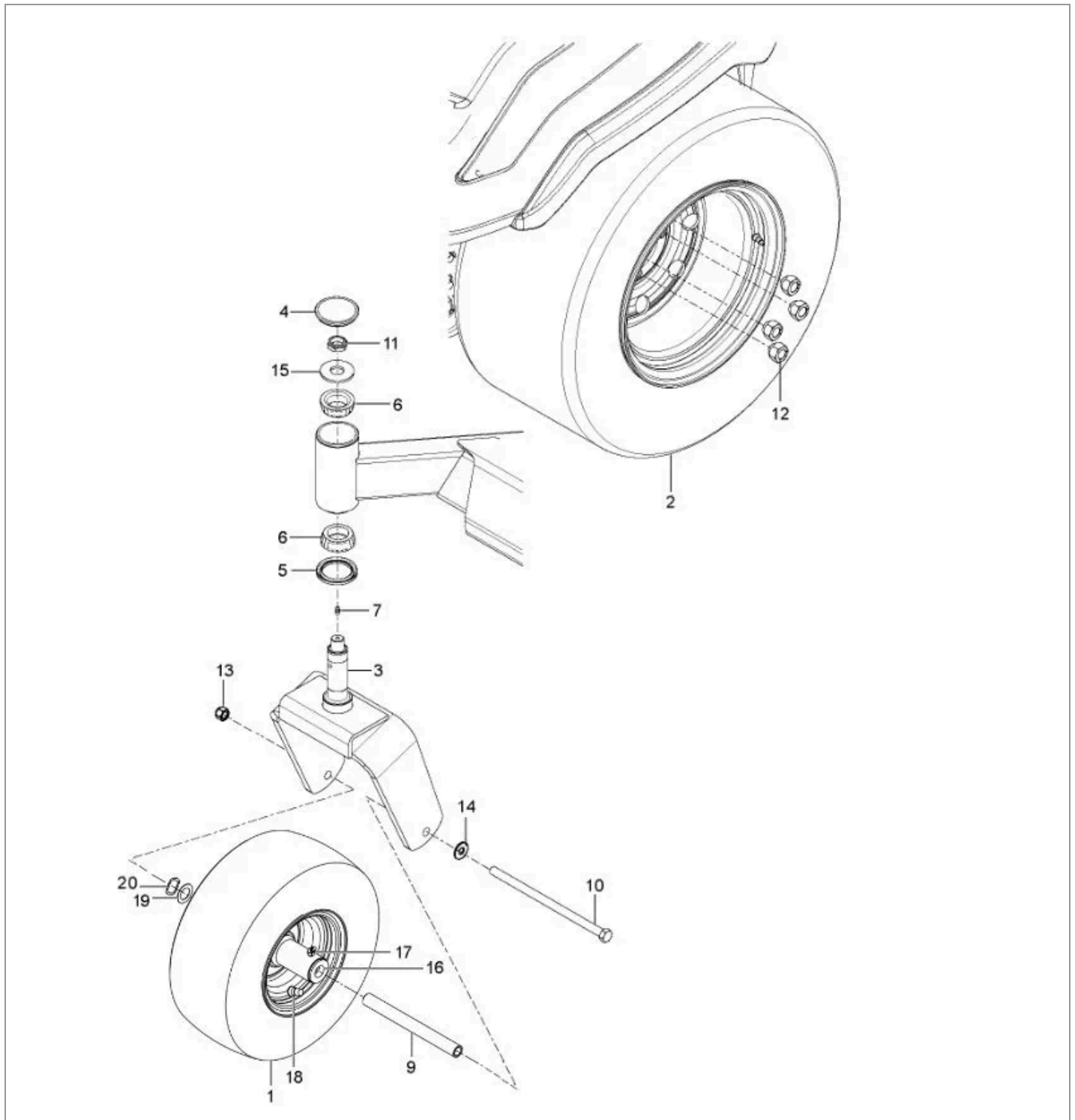
Ref.	Article N.	Description	Qty	Kit
1	582475501	LEVER LEVER.ASM.DRIVE.LH	1	-



Ref.	Article N.	Description	Qty	Kit
2	582475502	LEVER <i>LEVER.ASM.DRIVE.RH</i>	1	-
3	596925602	ROD <i>RIGHT SIDE ASSY</i>	1	-
3	596925702	ROD <i>LEFT SIDE ASSY</i>	1	-
3	598852501	SERVICE KIT <i>COUPLER KIT. CONTAINS (2) COUPLERS THAT FIT BOTH LH/RH SIDES. REF # 4 SCREWS INTO THIS COUPLER</i>	1	-
4	588692502	ROD <i>ROD.END.MALE.LH.THREAD</i>	1	-
5	579764601	JOINT <i>JOINT.HEIM.FEML.5/16.RH</i>	1	-
6	539923515	SPACER <i>SPACER</i>	2	-
7	597744702	BRACKET <i>BRACKET.INTERLOCK.Z500.MS431</i>	2	-
8	593107302	CARRIER <i>CARRIER.WLDMT.UPPER.LH.BLK.</i>	1	-
8	593107304	CARRIER <i>CARRIER.WLDMNT.UPPER.RH.BLK</i>	1	-
9	582475802	CARRIER <i>CARRIER.PNT.WLDMT.LOWER.EDIP</i>	2	-
12	582477802	BRACKET <i>BRACKET.PNT.RETRN.SPRNG.LH.BLK</i>	1	-
12	582477804	BRACKET <i>BRACKET.PNT.RETRN.SPRNG.RH.BLK</i>	1	-
13	582476902	BRACKET <i>BRACKET.RETAINING.SPRING</i>	2	-
14	582475102	BRACKET <i>BRACKET.PNT.CONTROLS</i>	4	-
15	587225301	PIN <i>PIN COTTER;LOCKING;BOWTIE;1IN</i>	2	-
16	582551901	CLIP <i>CLIP.RETAINER.CONTROLS</i>	2	-
17	588775401	DAMPER <i>DAMPENER</i>	2	-
18	582477402	PIN <i>PIN.CLEVIS.5/16X3/4.CLR.ZN</i>	2	-
19	589505102	PIVOT <i>PIVOT.CLEAR.ZINC</i>	2	-
20	589489601	RETAINER <i>RETAINER</i>	2	-
21	589500902	SWITCH <i>SWITCH.SNAPMNT.DELTA.NONO.BLK</i>	2	-
22	582475002	SPACER <i>SPACER.PIVOT.CLEAR.ZINC</i>	2	-
23	582711304	SPACER <i>SPACER.STEP UP.PM/ZN.CLR</i>	2	-
24	582477002	SPRING <i>SPRING 1.25ODX 1.5L CV</i>	4	-
25	531242601	SPRING <i>SPRING.COMPRESSION 1.75LX.475</i>	2	-

Ref.	Article N.	Description	Qty	Kit
26	582477702	SPRING <i>SPRING.RETURN,BRAKE.CLR.Zn</i>	2	-
27	597744502	ADAPTER <i>ADAPTER.INTERLOCK.W/SPLINE</i>	2	-
28	582477501	CABLE <i>CABLE.BRAKE.PARK</i>	2	-
29	594056301	STUD <i>STUD.10MM.BALL</i>	4	-
30	582477602	BRACKET <i>BRACKET.EXTENSION.CLEAR.ZINC</i>	2	-
31	582476801	BEARING <i>BEARING.FLG.3/8.SHAFT.1/2.HSG</i>	4	-
32	539131518	BEARING <i>BEARING, FLANGE</i>	8	-
33	532170165	BOLT <i>BOLT.SHOULDER.5/16-18 TT</i>	4	-
34	525544002	BOLT <i>BOLT.HEXAGON.HEAD.5/16-18X1.25</i>	4	-
35	525465402	SCREW <i>SCREW.HEX.5/16-18 X 1.5</i>	2	-
36	596030501	SCREW <i>SCREW.HEX.HD.5/16-18UNC X 3/4</i>	4	-
37	582477102	SCREW <i>SCREW.SHCS.5/16-18X3-1/2</i>	4	-
38	582476402	SCREW <i>SCREW.3/8DIA.SHLDR.5/16-18THR</i>	4	-
39	596240801	BOLT <i>BOLT.EYELET.5/16-18 X 3-1/2</i>	2	-
40	595901501	BOLT <i>BOLT.CUP.SQ.NCK.5/16-18 X 1.02</i>	2	-
41	577117702	BOLT <i>HHFS.3/8-16 X 3.GR5.CLEAR.ZINC</i>	6	-
42	589505602	SCREW <i>SCREW.SHCS,3/8-16X6L</i>	2	-
44	594944401	NUT <i>NUT.HEX.FLNG.5/16-18.NYLOC.CLR</i>	14	-
45	596040901	HEXAGON NUT <i>HEXAGON.NUT.5/16-24 CLEAR.ZINC</i>	4	-
46	521996502	NUT <i>NUT.HEX.LOCK.W/FLANGE.3/8-16</i>	6	-
47	596580701	NUT <i>NUT.HEXAGON.5/16-18 X 1/2</i>	4	-
48	596134901	WASHER <i>WASHER.PLAIN.3/8 X 7/8</i>	2	-
49	596238801	WASHER <i>WASHER.LOCK.5/16.SQR.END.Zn</i>	4	-
50	596204101	WASHER <i>WASHER.11/32 X 11/16 X 14</i>	2	-
51	522023401	WASHER <i>WASHER, 3/8 THICK</i>	2	-

# WHEELS AND TIRES



Ref.	Article N.	Description	Qty	Kit
1	599156702	TIRE <i>TIRE.13X6.5-6.S-P.GLOSS BLK</i>	2	-
1	597383801	SERVICE KIT <i>SERVICE KIT</i>	1	-
2	510154502	WHEEL RIM <i>WHEEL RIM</i>	2	-

Ref.	Article N.	Description	Qty	Kit
2	591091701	TIRE <i>TIRE.24X12-12NHS.TURFSMART.BLK</i>	2	-
3	525611905	FORK <i>FORK.CASTER.SNAP.RED</i>	2	-
4	510034003	CAP <i>CAP.DUST.CLEAR.ZINC</i>	2	-
5	510034301	SEAL <i>SEAL, BEARING</i>	2	-
6	510034403	BEARING <i>CONE, LM67048</i>	4	-
7	596623501	VALVE <i>VALVE</i>	2	-
9	575334901	SPACER <i>SPACER, PIVOT</i>	2	-
10	594946501	BOLT <i>BOLT.HEX.HEAD 1/2-13X9.5.G5</i>	2	-
11	522842602	NUT <i>NUT.3/4-16.HTN.ZD</i>	2	-
12	587653903	NUT <i>NUT.1/2-20UNF-2B.1/2-20X3/4GR8</i>	8	-
13	521991102	NUT <i>1/2-13.HEX.FLANGE.NYLOK</i>	2	-
14	595086801	WASHER <i>WASHER.ROUND.531 X 1.062 X 121</i>	2	-
15	574824702	WASHER <i>WASHER.3/4.HARD.812 X 2IN.ZINC</i>	2	-
16	539105307	ROLLER BEARING <i>BEARING</i>	4	-
17	596623501	VALVE <i>VALVE.ZERK.1/2.DRIVE IN</i>	2	-
18	539912234	VALVE <i>VALVE</i>	2	-
19	599405101	SHIM <i>SHIM.031THICK-.75ID-1.25 OD</i>	2	-
20	539133007	WASHER <i>WASHER,.825X1.087,WAVE</i>	2	-