



CHTZ60

EN Operator's manual
ES-MX Manual del usuario
FR-CA Manuel d'utilisation

2-18
19-37
38-56

Contents

Introduction.....	2	Troubleshooting.....	13
Safety.....	3	Transportation, storage and disposal.....	14
Operation.....	7	Technical data.....	14
Maintenance.....	10	Warranty.....	16

Introduction

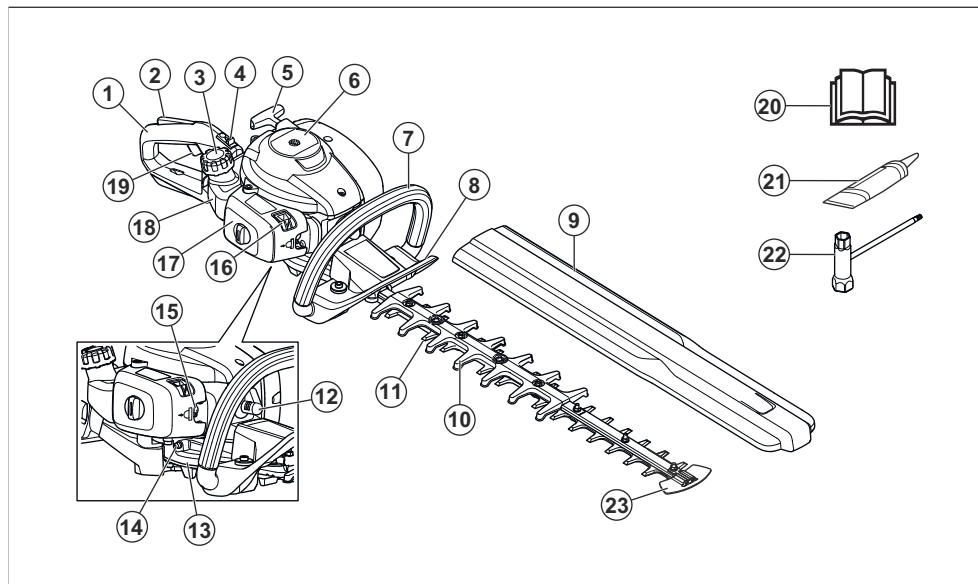
Product description

The product is a hedge trimmer with a combustion engine.

Intended use

Use the product to cut branches and twigs. Do not use the product for other tasks.

Product overview



- | | |
|-----------------------------------|--------------------------|
| 1. Rear handle | 15. Air purge bulb |
| 2. Throttle trigger lockout | 16. Choke control |
| 3. Fuel tank cap | 17. Air filter cover |
| 4. Stop switch | 18. Fuel tank |
| 5. Starter rope handle | 19. Throttle trigger |
| 6. Cylinder cover | 20. Operator's manual |
| 7. Front handle | 21. Tube of grease |
| 8. Hand guard | 22. Combination wrench |
| 9. Transport guard | 23. Blade tip protection |
| 10. Blade guard | |
| 11. Blade | |
| 12. Spark plug cap and spark plug | |
| 13. Gear housing | |
| 14. Grease nipple | |

Symbols on the product



WARNING! This product is dangerous. Injury or death can occur to the operator or bystanders if the product is not used carefully and correctly. To prevent injury

to the operator or bystanders, read and obey all safety instructions in the operator's manual.



Read the operator's manual carefully and make sure that you understand the instructions before use.



Use approved hearing protection and approved eye protection.



Use approved protective gloves.



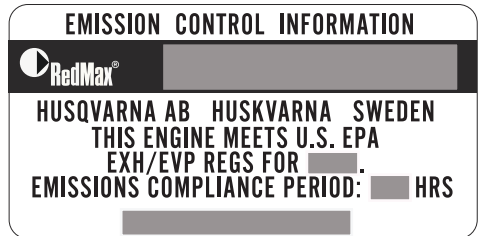
Use heavy-duty slip-resistant boots.

yyyywwxxxx

The rating plate shows serial number. **yyyy** is the production year and **ww** is the production week.

Note: Other symbols/decals on the product refer to certification requirements for some markets.

EPA III



The Emissions Compliance Period referred to on the Emission Compliance label indicates the number of operating hours for which the engine has been shown to meet Federal emissions requirement. Maintenance, replacement or repair of the emission control devices and system may be performed by any nonroad engine repair establishment or individual.

Safety

Safety definitions

Warnings, cautions and notes are used to point out specially important parts of the manual.



WARNING: Used if there is a risk of injury or death for the operator or bystanders if the instructions in the manual are not obeyed.



CAUTION: Used if there is a risk of damage to the product, other materials or the adjacent area if the instructions in the manual are not obeyed.

Note: Used to give more information that is necessary in a given situation.

General safety instructions



WARNING: Read the warning instructions that follow before you use the product.

- Incorrect or careless use of the product can turn it into a dangerous tool that can cause serious or even fatal injury. It is extremely important that you

read and understand the contents of this operator's manual.

- This product produces an electromagnetic field during operation. This field may under some circumstances interfere with active or passive medical implants. To reduce the risk of serious or fatal injury, we recommend persons with medical implants to consult their physician and the medical implant manufacturer before operating this product.
- Overexposure to vibration can lead to circulatory damage or nerve damage in people who have impaired circulation. Contact your doctor if you experience symptoms of overexposure to vibration. Such symptoms include numbness, loss of feeling, tingling, pricking, pain, loss of strength, changes in skin color or condition. These symptoms normally appear in the fingers, hands or wrists. The risk increases at low temperatures.
- If you encounter a situation where you are uncertain how to proceed you should ask an expert. Contact your dealer or your service workshop. Avoid all usage which you consider to be beyond your capability.
- A used muffler/spark arrester and spark arrester mounting face may contain deposits of combustion particles that may be carcinogenic. Avoid being exposed to these compounds when handling the muffler and/or spark arrester. Prior to any handling of the muffler and/or the spark arrester, refer to *To do a check of the muffler on page 6.*

- Keep in mind that the operator is responsible for accidents or hazards occurring to other people or their property.
- Never allow anyone else to use the product without first ensuring that they have understood the contents of the operator's manual.
- Never allow children to use or be in the vicinity of the product. As the product is equipped with a spring-loaded stop switch and can be started by low speed and force on the starter handle, even small children under some circumstances can produce the force necessary to start the product. This can mean a risk of serious personal injury. Therefore remove the spark plug cap when the product is not under close supervision.
- Store the product out of reach of children.
- Never use the product if you are tired, if you have drunk alcohol, or if you are taking medication that could affect your vision, your judgement or your coordination.
- Never use a product that is faulty. Carry out the checks, maintenance and service instructions described in this manual. Some maintenance and service measures must be carried out by trained and qualified specialists. Refer to instructions under the heading Maintenance.
- Never use a product that has been modified in any way from its original specification.
- Watch out for stumps of branches that can be thrown out during cutting.
- Listen out for warning signals or shouts when you are wearing hearing protection. Always remove your hearing protection as soon as the engine stops.
- Never work from a ladder, stool or any other raised position that is not fully secured.
- Always use both hands to hold the product. Hold the product in front of your body.
- If any foreign object is hit or if vibrations occur stop the product immediately. Disconnect the spark plug cap from the spark plug. Check that the product is not damaged. Repair any damage.
- Ensure that the spark plug cap and ignition lead are undamaged to avoid the risk of electric shock.
- Check that all nuts and screws are tight.
- Make sure the gearbox is lubricated correctly. Refer to *To examine the blades on page 13*.
- The gearbox gets hot when the product has been in use. To avoid burning yourself do not touch the gearbox.
- All covers and guards must be fitted before starting.
- If the blades get stuck, they can be loosened by sticking the combination wrench into the gearbox. Stick the combination wrench into the gearing and turn it back and forth. Refer to *To lubricate the gear housing on page 12*.
- The transport guard should always be fitted to the cutting unit when the product is not in use.

Safety instructions for operation



WARNING: Read the warning instructions that follow before you use the product.

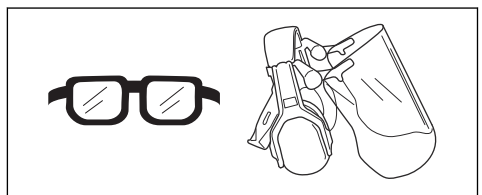
- Never use the product in extreme weather conditions such as severe cold, very hot and/or humid climates.
- Faulty blades can increase the risk of accidents.
- Ensure that no people or animals comes closer than 15 m / 50 ft while you work.
- Observe your surroundings and make sure that there is no risk of people or animals coming into contact with the cutting equipment.
- Inspect the working area. Remove any objects that could be thrown out.
- Always ensure you have a safe and stable working position.
- Never leave the product unsupervised with the engine running.
- Make sure that your hands and feet do not come near the cutting unit when the engine is running.
- If anything jams in the blades while you are working, switch off the engine and wait until it has stopped completely before cleaning the blades. Disconnect the spark plug cap from the spark plug.
- When the engine is switched off, keep your hands and feet away from the cutting unit until it has stopped completely.

Personal protective equipment

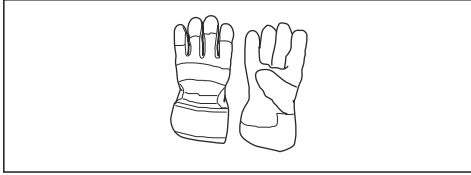


WARNING: Read the warning instructions that follow before you use the product.

- Always use approved personal protective equipment when you use the product. Personal protective equipment cannot fully prevent injury but it decreases the degree of injury if an accident does occur. Let your dealer help you select the right equipment.
- Use approved hearing protection that provides adequate noise reduction. Long-term exposure to noise can result in permanent hearing impairment.
- Use approved eye protection. If you use a visor, you must also use approved protective goggles. Approved protective goggles must comply with the ANSI Z87.1 standard in the USAs or EN 166 in EU countries.



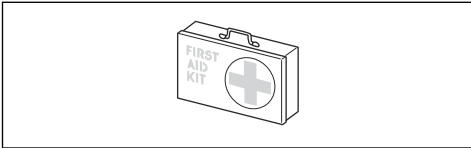
- Use gloves when necessary, for example when you attach, examine or clean the cutting equipment.



- Use sturdy non-slip boots or shoes.



- Use clothing made of a strong fabric. Always use heavy, long pants and long sleeves. Do not use loose clothing that can catch on twigs and branches. Do not wear jewelry, short pants, sandals or go with bare feet. Put your hair up safely above shoulder level.
- Keep first aid equipment close at hand.



Safety devices on the product

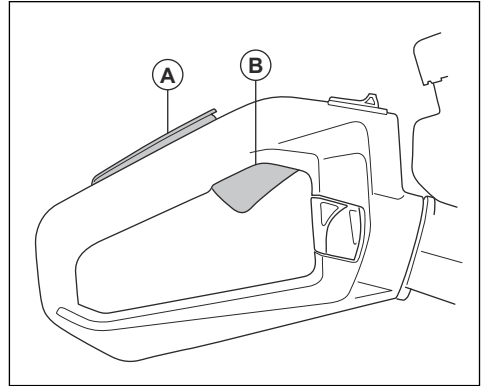


WARNING: Read the warning instructions that follow before you use the product.

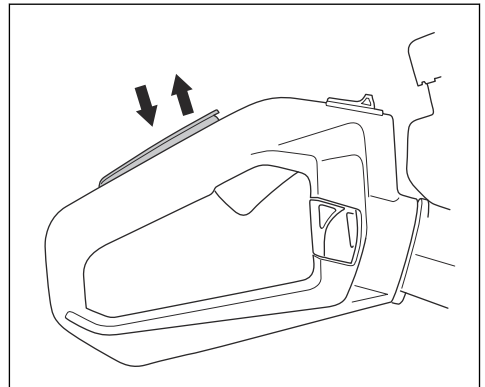
- Do not use a product with safety devices that are damaged or do not operate correctly.
- Do a check of the safety devices regularly. If the safety devices are damaged or do not operate correctly, speak to your RedMax service agent.
- Do not make modifications to safety devices.

To do a check of the throttle trigger lockout

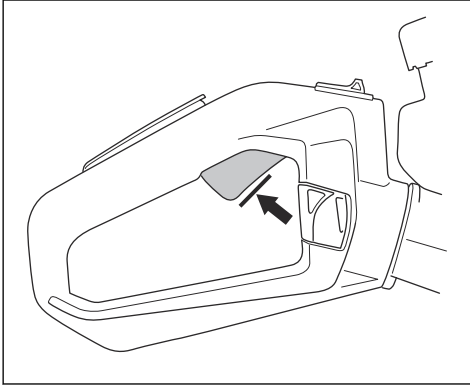
1. Make sure that the throttle trigger lockout (A) and throttle trigger (B) move freely and that the return spring operates correctly.



2. Push down the throttle trigger lockout and make sure that it goes back to its initial position when you release it.



3. Release the throttle trigger lockout and make sure that the throttle trigger is locked at idle speed position.



4. Start the engine and apply full throttle.
5. Release the throttle trigger and make sure that the blades stop fully.



WARNING: If the blades move when the throttle trigger is in the idle speed position, adjust the idle speed. Refer to *To adjust the idle speed on page 11*.

To do a check of the stop switch

1. Start the engine.
2. Push the stop switch to the stop position and make sure that the engine stops.



WARNING: The stop switch automatically goes back to start position. To prevent accidental start, remove the spark plug cap from the spark plug when you assemble or do maintenance on the product.

To do a check of the hand guard

The hand guard prevents injuries from the blades.

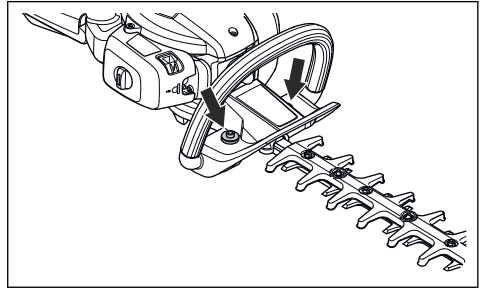
1. Stop the engine.
2. Make sure that the hand guard is attached correctly.
3. Examine the hand guard for damages.

To do a check of the vibration damping system

The vibration damping system decreases vibration in the handles. The vibration damping units operate as a separation between the product body and the handle unit.

1. Do a visual check for deformation and damage.

2. Make sure that the vibration damping units are correctly attached.



To do a check of the muffler



WARNING: Do not use the product if the muffler is missing or damaged. A muffler that is damaged or missing increases the noise level and the risk of fire. Keep fire extinguishing tools near. Do not use a product without, or with a broken, spark arrester mesh if you must have a spark arrester mesh in your area.



WARNING: The mufflers become very hot during and after operation, also at idle speed.



CAUTION: If the spark arrester screen is frequently blocked it can be a sign that performance of the catalytic converter is decreased. Turn to your servicing dealer to examine the muffler. A blocked spark arrester screen will cause overheating and result in damage to the cylinder and piston.

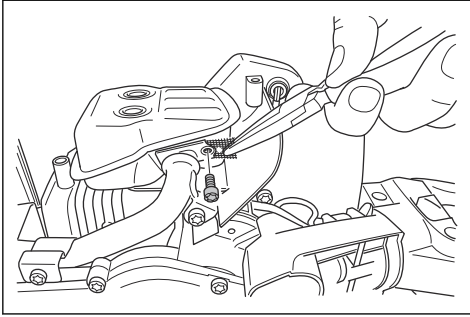


WARNING: The inner surfaces of the muffler contain chemicals that can cause cancer. Be careful not to touch these elements if the muffler is damaged.

The muffler keeps the noise levels to a minimum and points the exhaust fumes away from the operator. A muffler with a catalytic converter decrease harmful exhaust gases.

1. Stop the engine.
2. Do a visual check for damage and deformation.
3. Make sure that the muffler is correctly attached to the product.

- Clean the spark arrester screen with a wire brush.



To do a check of the blades and blade guard

The outer part of the blades has the function of a blade guard. The blade guard prevents cut injuries.

- Stop the engine and make sure that the blades stop.
- Remove the spark plug cap from the spark plug.
- Put on protective gloves.
- Make sure that the blade and blade guard is not damaged or bent. Always replace a damaged or bent blade, or a damaged blade guard.
- Make sure that the screws to the blades and blade guard are tight.

Fuel safety



WARNING: Read the warning instructions that follow before you use the product.

- Do not start the product if there is fuel or engine oil on the product. Remove the unwanted fuel/oil and let the product dry.
- If you spill fuel on your clothing, change clothing immediately.
- Do not get fuel on your body, it can cause injury. If you get fuel on your body, use soap and water to remove the fuel.
- Do not start the product if the engine has a leak. Examine the engine for leaks regularly.
- Be careful with fuel. Fuel is flammable and the fumes are explosive and can cause injuries or death.
- Do not breathe in the fuel fumes, it can cause injury. Make sure that there is a sufficient airflow.

- Do not smoke near the fuel or the engine.
- Do not put warm objects near the fuel or the engine.
- Do not add the fuel when the engine is on.
- Make sure that the engine is cool before you refuel.
- Before you refuel, open the fuel tank cap slowly and release the pressure carefully.
- Do not add fuel to the engine in an indoor area. Not sufficient airflow can cause injury or death because of asphyxiation or carbon monoxide.
- Tighten the fuel tank cap fully. If the fuel tank cap is not tightened, there is a risk of fire.
- Move the product a minimum of 3 m / 10 ft from the position where you filled the tank before a start.
- Do not fill the fuel tank fully. Heat causes the fuel to expand. Keep a space at the top of the fuel tank.

Safety instructions for maintenance



WARNING: Read the warning instructions that follow before you use the product.

- Stop the engine and make sure that the cutting equipment stops. Let the product become cool before you do the maintenance.
- Disconnect the spark plug cap before you do the maintenance.
- The exhaust fumes from the engine contain carbon monoxide, an odourless, poisonous and very dangerous gas that can cause death. Do not run the product indoors or in closed spaces.
- The exhaust fumes from the engine are hot and can contain sparks. Do not run the product indoors or near flammable material.
- Accessories and changes to the product that are not approved by the manufacturer, can cause serious injury or death. Do not change the product. Always use original accessories.
- If the maintenance is not done correctly and regularly, there is an increased risk of injury and damage to the product.
- Only do the maintenance as this operator's manual recommends. Let an approved RedMax service agent do all other servicing.
- Let an approved RedMax service agent do servicing on the product regularly.
- Replace damaged, worn or broken parts.

Operation

Introduction



WARNING: Read and understand the safety chapter before you use the product.

Fuel

This product has a two-stroke engine.



CAUTION: Incorrect type of fuel can result in engine damage. Use a mixture of gasoline and two-stroke oil.

Premixed fuel

- Use RedMax premixed alkylate fuel for best performance and extension of the engine life. This fuel contains less harmful chemicals compared to regular fuel, which decreases harmful exhaust fumes. The quantity of remains after combustion is lower with this fuel, which keeps the components of the engine more clean.

To mix fuel

Gasoline

- Use good quality unleaded gasoline with a maximum of 10% ethanol contents.



CAUTION: Do not use gasoline with an octane grade less than 90 RON/87 AKI. Use of a lower octane grade can cause engine knocking, which causes engine damages.

Two-stroke oil

- For best results and performance use RedMax two-stroke oil.
- If RedMax two-stroke oil is not available, use a two-stroke oil of good quality for air-cooled engines. Speak to your servicing dealer to select the correct oil.



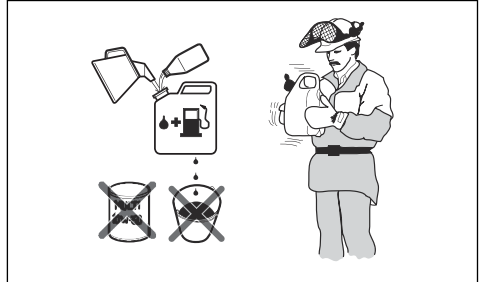
CAUTION: Do not use two-stroke oil for water-cooled outboard engines, also referred to as outboard oil. Do not use oil for four-stroke engines.

To mix gasoline and two-stroke oil

Gasoline, liter	Two-stroke oil, liter
	2% (50:1)
5	0.10
10	0.20
15	0.30
20	0.40
US gallon	US fl. oz.
1	2 ½
2 1/2	6 ½



CAUTION: Small errors can influence the ratio of the mixture drastically when you mix small quantities of fuel. Measure the quantity of oil carefully and make sure that you get the correct mixture.



1. Fill half the quantity of gasoline in a clean container for fuel.
2. Add the full quantity of oil.
3. Shake the fuel mixture.
4. Add the remaining quantity of gasoline to the container.
5. Carefully shake the fuel mixture.



CAUTION: Do not mix fuel for more than 1 month at a time.

To fill the fuel tank



WARNING: Obey the procedure that follows for your safety.

1. Stop the engine and let the engine become cool.
2. Clean the area around the fuel tank cap.



3. Shake the container and make sure that the fuel is fully mixed.
4. Remove the fuel tank cap slowly to release the pressure.
5. Fill the fuel tank.



CAUTION: Make sure that there is not too much fuel in the fuel tank. The fuel expands when it becomes hot.

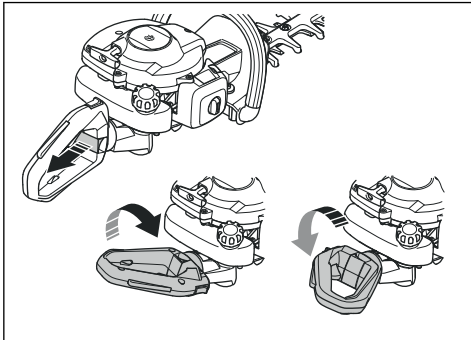
6. Tighten the fuel tank cap carefully.
7. Clean fuel spillage on and around the product.
8. Move the product 3 m/10 ft or more away from the refueling area and fuel source before you start the engine.

Note: To see where the fuel tank is on your product, refer to *Product overview on page 2*.

To adjust the handle

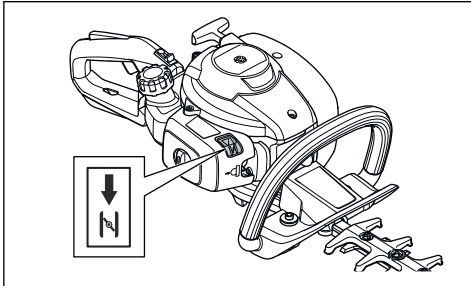
The rear handle can be adjusted into 3 positions.

- Release the handle lock and turn the handle.



To start the product with a cold engine

1. Pull the choke control to choke position.



2. Push the air purge bulb approximately 6 times or until the bulb starts to fill with fuel. It is not necessary to fill the air purge bulb fully.
3. Hold the body of the product on the ground with your left hand. Do not step on the product.
4. Pull the starter rope handle slowly with your right hand until you feel some resistance, then pull the starter rope handle quickly and with force.



WARNING: Do not wind the starter rope around your hand.



CAUTION: Do not pull the starter rope to full extension and do not let go of the starter rope handle.

5. Continue to pull the starter rope handle until the engine fires, then push the choke control to its initial position.



WARNING: The blades move when the engine starts.

6. Continue to pull the starter rope handle until the engine starts.
7. Push and release the throttle trigger to set the engine to idle speed.
8. Push the throttle trigger gradually to increase the engine speed.
9. Make sure that the engine runs smoothly.

To start the product with a warm engine

1. Hold the body of the product on the ground with your left hand. Do not step on the product.
2. Pull the starter rope handle slowly with your right hand until you feel some resistance, then pull the starter rope handle quickly and with force. Continue until the engine starts.

Note: For more information about how to start the product, refer to *To start the product with a cold engine on page 9*.

To stop the product

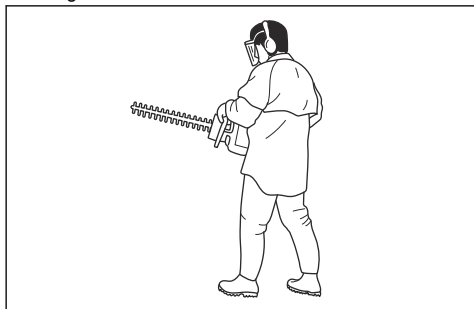
- Move the stop switch to the stop position to stop the engine.



CAUTION: The stop switch automatically goes back to run position.

To operate the product

1. Start near the ground and move the product up along the hedge when you cut the sides. Make sure that the body of the product does not touch the hedge.



WARNING: Make sure that the front of the cutting equipment does not touch the ground.

2. Adjust the speed to align with the work load.
3. Hold the product near your body for a stable work position.
4. Be careful and operate the product slowly.

Maintenance

Introduction



WARNING: Read and understand the safety chapter before you do maintenance on the product.

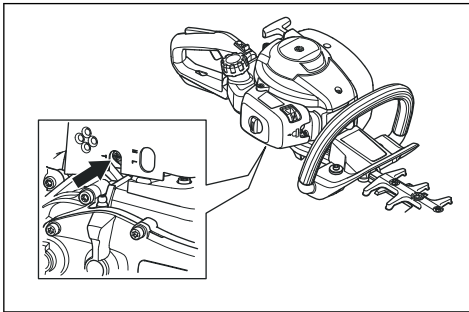
Maintenance schedule

Maintenance	Before operation	After 40 h	After 100 h
Clean the external surface.	After each operation.		
Clean the muffler, exhaust pipe and engine from leaves, dirt and unwanted lubricant.	After each operation.		
Make sure that the cutting unit does not move at idle speed.	X		
Do a check of the stop switch. Refer to <i>To do a check of the stop switch on page 6.</i>	X		
Examine the cutting unit for damages and cracks. Replace if it is damaged.	X		
Examine the hand guard for damages and cracks. Replace if it is damaged.	X		
Do a check of the throttle trigger lockout and the throttle trigger. Refer to <i>To do a check of the throttle trigger lockout on page 5.</i>	X		
Examine the engine, the fuel tank and the fuel hose for leaks.	X		
Tighten nuts and screws.	X		
Examine the starter and the starter rope for damages.		X	
Do a check that the screws that hold the blades together are correctly tightened.		X	
Clean the air filter. Clean more frequently if used in areas which has dust. Replace if it is damaged.		X	

Maintenance	Before operation	After 40 h	After 100 h
Examine the vibration damping units for damages and cracks. Replace if it is damaged.		X	
Clean the external surface of the spark plug and the area around it. Remove the spark plug and measure the electrode gap. Adjust the electrode gap or replace the spark plug. Refer to <i>To do a check of the spark plug on page 12</i> .		X	
Clean the cooling system.		X	
Clean the external surface of the carburetor and the area around it.		X	
Examine the fuel filter for contamination and the fuel hose for cracks and other damages. Replace if it is damaged.			X
Clean the spark arrester screen on the muffler, replace if it is damaged.			X
Clean the inner surface of the fuel tank.			X
Replace the spark plug.			X
Examine the clutch, clutch spring and the clutch drum for wear. Replace if it is damaged by an approved servicing dealer.			X
Make sure that the gear housing is filled with grease.			X
Do a check of all cables and connections.			X

To adjust the idle speed

1. Clean the air filter and attach the air filter cover.
2. Start the product. Refer to *To start the product with a cold engine on page 9*.
3. Turn the idle adjustment screw T clockwise until the cutting unit starts to move.



4. Turn the idle adjustment screw counterclockwise until the cutting unit stops.

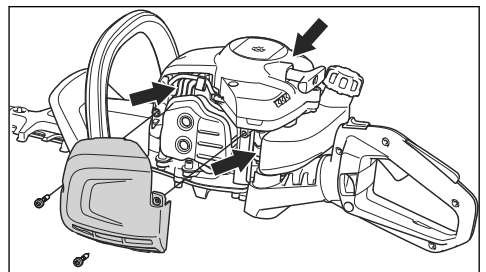


WARNING: If the cutting unit does not stop when you adjust the idle speed, speak to your nearest servicing dealer. Do not use the product until it is correctly adjusted or repaired.

Note: The idle speed is correct when the engine operates smoothly in all positions. Refer to *Technical data on page 14* for the recommended idle speed.

To clean the cooling system

The cooling system keeps the engine temperature down. The cooling system includes the cooling fins on the cylinder, the cylinder cover and the air intake through the crankcase.



CAUTION: The air intake between the fuel tank and crankcase, is easily blocked by leaves. Clean the air intake fully.

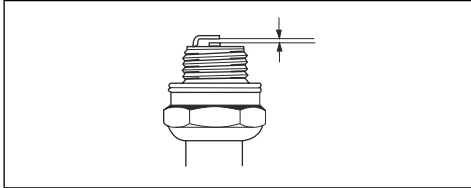
1. Clean the cooling system with a brush weekly or more frequently if it is necessary.
2. Make sure that the cooling system is not dirty or blocked.

To do a check of the spark plug



CAUTION: Always use the recommended spark plug type. Incorrect spark plug type can cause damage to the product.

- Do a check of the spark plug if the engine is low on power, is not easy to start or does not operate correctly at idle speed.
- To decrease the risk of unwanted material on the spark plug electrodes, obey these instructions:
 - a) Make sure that the idle speed is correctly adjusted.
 - b) Make sure that the fuel mixture is correct.
 - c) Make sure that the air filter is clean.
- If the spark plug is dirty, clean it and make sure that the electrode gap is correct, refer to *Technical data on page 14*.

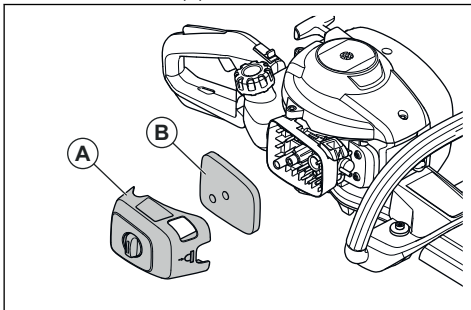


- Replace the spark plug if it is necessary.

To clean the air filter

Clean the air filter regularly from dirt and dust. This prevents carburetor malfunctions, starting problems, loss of engine power, wear to engine parts and more fuel consumption than usual.

1. Remove the air filter cover (A).
2. Remove the filter (B) from the filter frame.



3. Clean the filter with warm soap water.

Note: An air filter that is used for a long time can not be fully cleaned. Replace the air filter regularly and always replace a damaged air filter.

4. Make sure that the filter is dry.

5. Apply oil to the air filter. Refer to *To apply oil to the foam air filter on page 12*
6. Clean the inner surface of the air filter cover. Use compressed air or a brush.

To apply oil to the foam air filter

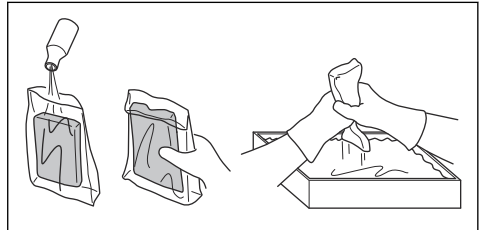


CAUTION: Always use RedMax special air filter oil. Do not use other types of oil.



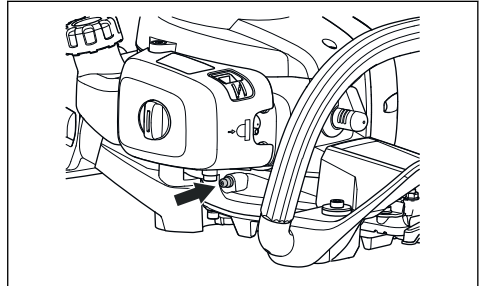
WARNING: Put on protective gloves. The air filter oil can cause skin irritation.

1. Put the foam air filter in a plastic bag.
2. Put the oil in the plastic bag.
3. Rub the plastic bag to supply the oil equally across the foam air filter.
4. Push the unwanted oil out of the foam air filter while in the plastic bag.



To lubricate the gear housing

- Use RedMax special grease. Speak to your servicing dealer for more information about recommended grease.
- Add the grease through the grease nipple.



CAUTION: Do not fill the gear housing fully.

To clean and lubricate the blades

1. Clean the blades from unwanted materials before and after you use the product.

2. Lubricate the blades before long periods of storage.

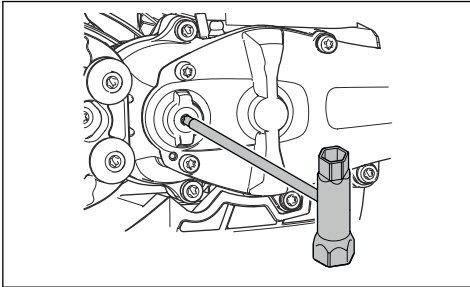
Note: Speak to your servicing dealer for more information about recommended cleaning agents and lubricants.

3. Examine the edges of the blades for damages and deformation.

4. Use a file to remove burrs on the blades.

To examine the blades

1. Remove the cap on the gear housing.
2. Make sure that the blades move freely. Put the combination wrench in the gear housing and turn clockwise and counterclockwise.



Troubleshooting

Troubleshooting

The engine does not start		
Problem	Possible cause	Recommended step
Starter pawls	The starter pawls cannot move freely.	Adjust or replace the starter pawls.
		Clean around the starter pawls.
		Speak to an approved servicing dealer.
Fuel tank	Incorrect fuel type.	Drain it and use correct fuel.
Carburetor	Incorrect idle speed.	Adjust the idle speed.
No spark	The spark plug is dirty or wet.	Make sure that the spark plug is dry and clean.
	Incorrect electrode gap.	Clean the spark plug. Make sure that the electrode gap of the spark plug is correct. Make sure that the spark plug is installed with a suppressor.
		Refer to <i>Technical data on page 14</i> for correct electrode gap.
Spark plug	The spark plug is loose.	Tighten the spark plug.

The engine starts but stops again		
Problem	Possible cause	Recommended step
Fuel tank	Incorrect fuel type.	Drain it and use correct fuel.
Carburetor	Incorrect idle speed.	Adjust the idle speed. Refer to <i>To adjust the idle speed on page 11</i> . Speak to your servicing dealer if it is necessary.
Air filter	Clogged air filter.	Clean the air filter.

Blade		
Problem	Possible causes	Recommended step
The blade moves slowly or does not move.	The blade is blocked or it is damaged.	Clean the blades from unwanted materials. Refer to <i>To clean and lubricate the blades on page 12</i> . Remove burrs from the blade, refer to <i>To examine the blades on page 13</i> . Replace the blade if it is damaged.
The blade does not cut easily.	The blade is not sharp or it is damaged.	Sharpen the blade, refer to <i>To examine the blades on page 13</i> . Replace the blade if it is damaged.
The blade becomes hot.	There is friction between the blades.	Remove burrs from the blade and lubricate the blade. Refer to <i>To clean and lubricate the blades on page 12</i> .

Transportation, storage and disposal

Transportation and storage

- Always allow the product to cool down before storage.
- For storage and transportation of the product and fuel, make sure that there are no leaks or fumes. Sparks or open flames, for example from electrical devices or boilers, can start a fire.
- Always use approved containers for storage and transportation of fuel.
- Empty the fuel before transportation or before long-term storage. Discard the fuel at an applicable disposal location.
- Attach the transport guard during transportation and storage.

- Remove the spark plug cap from the spark plug.
- Attach the product during transportation. Make sure that it cannot move.
- Clean and do servicing on the product before long-term storage.

Disposal

- Obey the local requirements and applicable regulations.
- Discard all chemicals, for example engine oil or fuel, at a service center or at an applicable disposal location.
- Discard the product at an approved disposal location or send it to RedMax for disposal.

Technical data

Technical data

	CHTZ60
Engine	

	CHTZ60
Cylinder displacement, cu.in/cm ³	1.32/21.7
Idle speed, rpm	2900
Recommended max speed, rpm	9000
Maximum engine power acc. to ISO 8893, kW/hp @ rpm	0.6/0.8 @ 7800
Catalytic converter muffler	Yes
Ignition system	
Spark plug	HQT-4 672201
Electrode gap, in/mm	0.02/0.5
Fuel	
Fuel tank capacity, US Pint/l	0.6/0.3
Weight	
Without fuel, lbs/kg	11.5/5.2
Blades	
Type	Double sided
Cutting length, in/mm	24/600
Cutting speed, cuts/min	4400

Warranty

U.S FEDERAL, AND CANADA EXHAUST AND EVAPORATIVE EMISSIONS CONTROL WARRANTY STATEMENT

YOUR WARRANTY RIGHTS AND OBLIGATIONS

The U.S. Environmental Protection Agency (EPA), Environment and Climate Change Canada and Husqvarna Professional Products, Inc. are pleased to explain the exhaust and evaporative emissions ("emissions") control system warranty on your 2012 and later small off-road engine. In U.S and Canada, new equipment that use small off-road engines must be designed, built, and equipped to meet State's stringent anti-smog standards. Husqvarna Professional Products, Inc. must warrant the emissions control system on your small off-road engine for the periods of time listed below provided there has been no abuse, neglect or improper maintenance of your small off-road engine or equipment leading to the failure of the emissions control system. Your emissions control system may include parts such as the carburetor or fuel injection system, the ignition system, catalytic convertor, fuel tanks, fuel lines (for liquid fuel and fuel vapors), fuel caps, valves, canisters, filters, clamps and other associated components. Also included may be hoses, belts, connectors, and other emission-related assemblies. Where a warrantable condition exists, Husqvarna Professional Products, Inc. will repair your small off-road engine at no cost to you including diagnosis, parts and labor.

MANUFACTURER'S WARRANTY COVERAGE

The exhaust and evaporative emissions control system on your small off-road engine is warranted for two years. If any emissions-related part on your small off-road engine is defective, the part will be repaired or replaced by Husqvarna Professional Products, Inc..

OWNER'S WARRANTY RESPONSIBILITIES

- As the small off-road engine owner, you are responsible for performance of the required maintenance listed in your owner's manual. Husqvarna Professional Products, Inc. recommends that you retain all receipts covering maintenance on your small off-road engine, but Husqvarna Professional Products, Inc. cannot deny warranty coverage solely for the lack of receipts or for your failure to ensure the performance of all scheduled maintenance.
- As the small off-road engine owner, you should however be aware that Husqvarna Professional Products, Inc. may deny you warranty coverage if your small off-road engine or a part has failed due to abuse, neglect, or improper maintenance or unapproved modifications.

- You are responsible for presenting your small off-road engine to a Husqvarna Professional Products, Inc. authorized servicing dealer as soon as the problem exists. The warranty repairs shall be completed in a reasonable amount of time, not to exceed 30 days. If you have any questions regarding your warranty rights and responsibilities, you should contact Husqvarna Professional Products, Inc. in USA at 1-800-487-5951, in CANADA at 1-800-805-5523 or send e-mail correspondence to emissions@husqvarnagroup.com or warranty@hpp-emissions.com.

WARRANTY COMMENCEMENT DATE

The warranty period begins on the date the engine or equipment is delivered to an ultimate purchaser.

LENGTH OF COVERAGE

Husqvarna Professional Products, Inc. warrants to the ultimate purchaser and each subsequent owner that the engine or equipment is designed, built, and equipped so as to conform with all applicable regulations adopted by EPA, and is free from defects in materials and workmanship that causes the failure of a warranted part for a period of two years.

WHAT IS COVERED

REPAIR OR REPLACEMENT OF PARTS: Repair or replacement of any defective warranted part will be performed at no charge to you at a brand authorized servicing dealer. Except for repairs and replacement under this Emission Control Warranty, you may choose a repair shop or other person to maintain, replace or repair emission control devices and systems. However, Husqvarna Professional Products, Inc. recommends that all maintenance, replacement and repairs of emission control devices and systems be performed by a brand authorized servicing dealer.

IMPORTANT: This product is compliant with U.S. EPA Phase 3 regulations for exhaust and evaporative emissions. To ensure EPA Phase 3, and Climate Change Canada regulation, we recommend using only genuine product branded replacement parts. Use of non-compliant replacement parts is a violation of federal and state laws.

WARRANTY PERIOD: Any warranted part which is not scheduled for replacement as required maintenance, or which is scheduled only for regular inspection to the effect of "repair or replace as necessary" is warranted for 2 years (or time defined in the product warranty statement, whichever is longer) from the date of purchase by the initial consumer purchaser. Any warranted part which is scheduled for replacement as required maintenance is warranted for the period of the time up to the first scheduled replacement for that part. Any part repaired or replaced under the warranty must be warranted for the remaining warranty period.

DIAGNOSIS: You will not be charged for diagnostic labor that leads to the determination that a warranted part is in fact defective, provided that such diagnostic work is performed at a brand authorized servicing dealer.

OTHER DAMAGES: Husqvarna Professional Products, Inc. will repair other engine components caused by the failure of a warranted part still under warranty.

EMISSION WARRANTY PARTS LIST

1. Carburetor and intake parts or fuel injection system.
2. Air filter and fuel filter covered up to maintenance schedule.
3. Spark Plug, covered up to maintenance schedule.
4. Ignition Module.
5. Mufflers with catalyst and exhaust manifolds.
6. Fuel tank, fuel lines (for liquid fuel and fuel vapors), fuel cap, carbon canister and tip-over/anti-slosh valves as applicable.*
7. Electronic Controls, Vacuum, temperature, and time sensitive valves and switches.
8. Hoses, connectors, and assemblies.
9. All other components the failure of which would increase the engine's exhaust and evaporative emissions of any regulated pollutant as set forth at the following:
 - For U.S. and Canada see US Federal Code of Regulations, 40 C.F.R 1068 Appendix I (iii).

WHAT IS NOT COVERED

All failures caused by abuse, neglect, unapproved modifications, misuse or improper maintenance are not covered.

ADD -ON OR MODIFIED PARTS: Add-on or modified parts that are not exempted by EPA may not be used. The use of any non-exempted add-on or modified parts will be grounds for disallowing a warranty claim. Husqvarna Professional Products, Inc. will not be liable to warrant failures of warranted parts caused by the use of a non-exempted add-on or modified part.

HOW TO FILE A CLAIM

If you have any questions regarding your warranty rights and responsibilities, you should contact your nearest authorized servicing dealer or call Husqvarna Professional Products, Inc. in USA at 1-800-487-5951, in CANADA at 1-800-805-5523 or send e-mail correspondence to emissions@husqvarnagroup.com or warranty@hpp-emissions.com.

WHERE TO GET WARRANTY SERVICE

Warranty services or repairs are provided through all Husqvarna Professional Products, Inc. authorized servicing dealers. If the nearest authorized servicing dealer is more than 100 miles from your location, Husqvarna Professional Products, Inc. will arrange and pay for the shipping costs to and from a brand authorized servicing dealer or otherwise arrange

for warranty service in accordance with applicable regulations.

MAINTENANCE, REPLACEMENT AND REPAIR OF EMISSION-RELATED PARTS

Any replacement part may be used in the performance of any warranty maintenance or repairs and must be provided without charge to the owner. Such use will not reduce the warranty obligations of the manufacturer.

MAINTENANCE STATEMENT

The owner is responsible for the performance of all required maintenance, as defined in the owner's manual.

* Evaporative emission parts.

AMERICAN STANDARD SAFETY PRECAUTIONS

SAFETY PRECAUTIONS FOR CHAIN SAW USERS

(Annex)

KICKBACK SAFETY PRECAUTIONS



WARNING: Kickback may occur when the nose or tip of the guide bar touches an object, or when the wood closes in and pinches the saw chain in the cut.

Tip contact in some cases may cause a lightning fast reverse reaction, kicking the guide bar up and back towards the operator.

Pinching the saw chain along the top of the guide bar may push the guide bar rapidly back towards the operator.

Either of these reactions may cause you to lose control of the saw which could result in serious personal injury.

Do not rely exclusively upon the safety devices built into your saw. As a chain saw user, you should take several steps to keep your cutting jobs free from accident or injury.

With a basic understanding of kickback, you can reduce or eliminate the element of surprise. Sudden surprise contributes to accidents.

Keep a good firm grip on the saw with both hands, the right hand on the rear handle, and the left hand on the front handle, when the engine is running. Use a firm grip with thumbs and fingers encircling the chain saw handles. A firm grip will help you reduce kickback and maintain control of the saw. Don't let go.

Make sure that the area in which you are cutting is free from obstacles. Do not let the nose of the guide bar contact a log, branch, or any other obstacle which could be hit while you are operating the saw.

Cut at high engine speeds.

Do not overreach or cut above shoulder height.

Follow manufacturer's sharpening and maintenance instructions for the saw chain.

Only use replacement bars and chains specified by the manufacturer or the equivalent.

OTHER SAFETY PRECAUTIONS



WARNING: Do not operate a chain saw with one hand! Serious injury to the operator, helpers, bystanders or any combination of these persons may result from one-handed operation. A chain saw is intended for two-handed use.

Do not operate a chain saw when you are fatigued.

Use safety footwear; snug-fitting clothing, protective gloves, and eye, hearing and head protection devices.

Use caution when handling fuel. Move the chain saw at least 10 feet (3 m) from the fueling point before starting the engine.

Do not allow other persons to be near the chain saw when starting or cutting with the chain saw. Keep bystanders and animals out of the work area.

Do not start cutting until you have a clear work area, secure footing and a planned retreat path from the falling tree.

Keep all parts of your body away from the saw chain when the engine is running.

Before you start the engine, make sure that the saw chain is not contacting anything.

Carry the chain saw with the engine stopped, the guide bar and saw chain to the rear, and the muffler away from your body.

Do not operate a chain saw that is damaged, improperly adjusted, or not completely and securely assembled. Be sure that the saw chain stops moving when the throttle control trigger is released.

Shut off the engine before setting the chain saw down.

Use extreme caution when cutting small size brush and saplings because slender material may catch the saw chain and be whipped toward you or pull you off balance.

When cutting a limb that is under tension be alert for springback so that you will not be struck when the tension in the wood fibers is released.

Keep handles dry, clean and free of oil or fuel mixture.

Operate the chain saw only in well-ventilated areas.

Do not operate a chain saw in a tree unless you have been specifically trained to do so.

Do not operate a chain saw above shoulder height.

All chain saw service, other than the items listed in the operator's/owner's safety and maintenance instructions, should be performed by competent chain saw service

personnel. (For example, if improper tools are used to remove the flywheel or if an improper tool is used to hold the flywheel in order to remove the clutch, structural damage to the flywheel could occur and subsequently cause the flywheel to burst.)

When transporting your chain saw, use the appropriate guide bar guard.

Note: This Annex is intended primarily for the consumer or occasional user.

Contenido

Introducción.....	19	Solución de problemas.....	31
Seguridad.....	20	Transporte, almacenamiento y eliminación de residuos.....	32
Funcionamiento.....	25	Datos técnicos.....	32
Mantenimiento.....	27	Garantía.....	34

Introducción

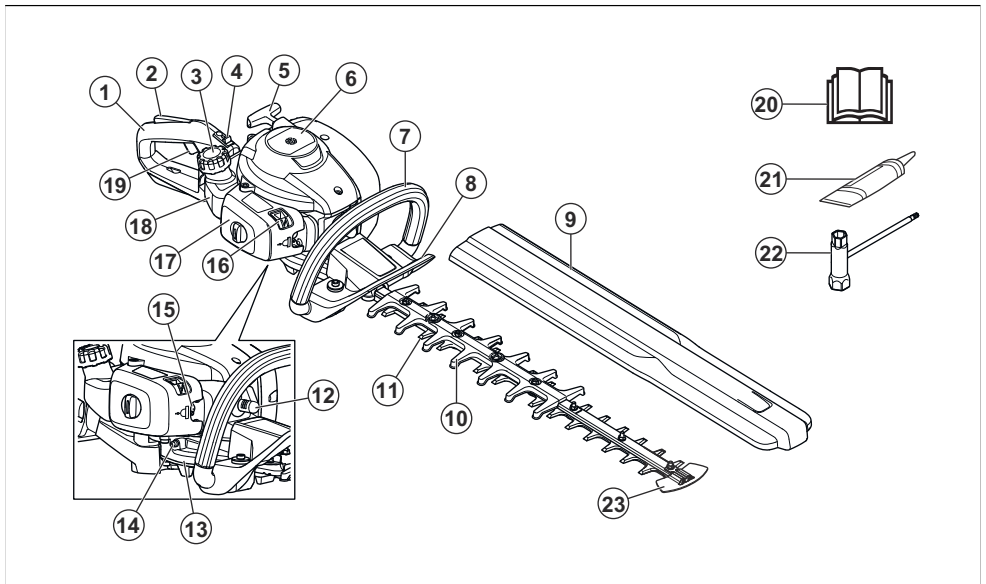
Descripción de la máquina

El producto es un cortasetos con un motor de combustión.

Uso específico

Utilice el producto para cortar ramas grandes y pequeñas. No utilice el producto para otras tareas.

Descripción general del producto



- | | |
|--|---------------------------------------|
| 1. Mango trasero | 15. Bulbo de la purga de aire |
| 2. Bloqueo del acelerador | 16. Estrangulador |
| 3. Tapa del depósito de combustible | 17. Cubierta del filtro de aire |
| 4. Interruptor de detención | 18. Depósito de combustible |
| 5. Empuñadura de la cuerda de arranque | 19. Gatillo del acelerador |
| 6. Cubierta del cilindro | 20. Manual del usuario |
| 7. Mango delantero | 21. Tubo de grasa |
| 8. Protección para la mano | 22. Llave combinada |
| 9. Protección para transporte | 23. Protección de la punta de la hoja |
| 10. Protector de la cuchilla | |
| 11. Hoja | |
| 12. Sombrero de bujía y bujía | |
| 13. Caja de engranajes | |
| 14. Boquilla de engrase | |

Símbolos en el producto



ADVERTENCIA: Este producto es peligroso. El usuario o las personas que se encuentran cerca pueden sufrir lesiones o la muerte si el producto no se utiliza con cuidado y correctamente. Para evitar daños graves al usuario o a las personas que se encuentran cerca, lea y siga todas las instrucciones de seguridad del manual de usuario.



Lea atentamente el manual de instrucciones y asegúrese de que entiende las instrucciones antes de usar el producto.



Utilice protectores auriculares y oculares aprobados.



Use guantes protectores homologados.



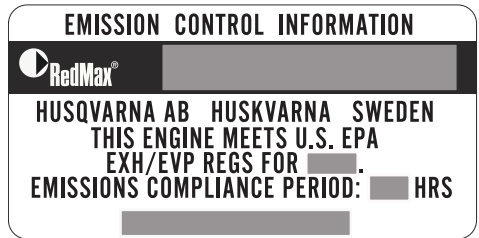
Use botas antideslizantes de servicio pesado.

aaaassxxxx

La placa de características muestra el número de serie. **aaaa** es el año de producción y **ss** es la semana de producción.

Tenga en cuenta: Otros símbolos o etiquetas en el producto hacen referencia a requisitos de certificación para algunos mercados.

EPA III



El período de cumplimiento de emisiones al que se hace referencia en la etiqueta de cumplimiento de emisiones indica la cantidad de horas de funcionamiento para la que se ha demostrado que el motor cumple el requisito de emisiones federales. El mantenimiento, reemplazo o reparación de los dispositivos y sistemas de control de emisiones puede realizarlo cualquier establecimiento o persona de que repare motores para uso fuera de carretera.

Seguridad

Definiciones de seguridad

Las advertencias, precauciones y notas se utilizan para señalar las piezas particularmente importantes del manual.



ADVERTENCIA: Se utilizan para señalar el riesgo de lesiones graves o mortales para el operador o para aquellos que se encuentren cerca si no se siguen las instrucciones del manual.



AVISO: Se utilizan para señalar el riesgo de dañar la máquina, otros materiales o el área adyacente si no se siguen las instrucciones del manual.

Tenga en cuenta: Se utilizan para entregar más información necesaria en situaciones particulares.

Instrucciones generales de seguridad



ADVERTENCIA: Lea atentamente las instrucciones de advertencia siguientes antes de usar el producto.

- El uso incorrecto o descuidado del producto puede convertirlo en una herramienta peligrosa que puede causar heridas graves o daños mortales. Es muy importante que lea y comprenda el contenido de este manual de usuario.
- En este producto se genera un campo electromagnético durante su funcionamiento. Este campo puede, en determinadas circunstancias, interferir con implantes médicos activos o pasivos. Para reducir el riesgo de daños mortales o graves,

recomendamos a las personas con implantes médicos consultar a su médico y al fabricante del implante médico antes de usar este producto.

- La sobreexposición a las vibraciones puede producir trastornos vasculares o nerviosos en personas que padecen de trastornos circulatorios. Comuníquese con su médico si experimenta síntomas de la sobreexposición a las vibraciones. Estos síntomas son entumecimiento, pérdida de sensibilidad, hormigueo, ardor, dolor, pérdida de fuerza, cambios en el color o el estado de la piel. Normalmente, estos síntomas se presentan en los dedos, manos o muñecas. El riesgo aumenta a bajas temperaturas.
- Si se encuentra en una situación en la que no está seguro de cómo proceder, debe preguntarle a un experto. Comuníquese con el distribuidor o el taller de servicio. Evite todos los usos que considere que están más allá de su capacidad.
- Un silenciador, un apagachispas y una cara de montaje del apagachispas usados pueden contener depósitos de partículas de combustión que pueden ser carcinógenas. Evite la exposición a estos compuestos cuando manipule el silenciador o el apagachispas. Antes de manipular el silenciador y/o el apagachispas, consulte *Para revisar el silenciador en la página 23*.
- Tenga en cuenta que el operador es responsable de los accidentes o los peligros que ocurren a otras personas o sus propiedades.
- Nunca permita que otras personas utilicen el producto sin asegurarse primero de que hayan comprendido el contenido del manual del usuario.
- Nunca permita que los niños utilicen el producto o que estén cerca de este. Debido a que el producto está equipado con un interruptor de detención que se acciona por resorte y se puede arrancar con baja velocidad y fuerza desde la empuñadura de arranque, incluso niños pequeños pueden, en determinadas circunstancias, lograr la fuerza necesaria para arrancar el producto. Esto puede significar riesgo de daños personales graves. Por consiguiente, saque el sombrerete de bujía cuando no se supervise el producto atentamente.
- Almacene el producto fuera del alcance de los niños.
- Nunca utilice el producto si está cansado, si ha ingerido alcohol o si toma medicamentos que puedan afectarle la vista, su capacidad de discernimiento o su coordinación.
- Nunca utilice un producto que esté defectuoso. Realice las comprobaciones de seguridad, el mantenimiento y las instrucciones de servicio descritas en este manual. Especialistas capacitados y calificados deben llevar a cabo algunas medidas de mantenimiento y servicio. Consulte las instrucciones en el capítulo Mantenimiento.
- Nunca utilice un producto que se haya modificado de cualquier modo con respecto a la especificación original.

Instrucciones de seguridad para el funcionamiento



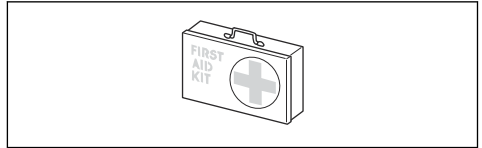
ADVERTENCIA: Lea atentamente las instrucciones de advertencia siguientes antes de usar el producto.

- No utilice el producto en condiciones climáticas extremas como frío intenso o climas muy calurosos o húmedos.
- Las cuchillas defectuosas pueden aumentar el riesgo de accidentes.
- Asegúrese de que ninguna persona o animal se acerque a menos de 15 m (50 pies) mientras trabaja.
- Preste atención a su entorno y asegúrese de que no haya riesgo de que ninguna persona o animal entre en contacto con el equipo de corte.
- Inspeccione la zona de trabajo. Retire todos los objetos que puedan salir eyectados.
- Asegúrese siempre de tener una posición de trabajo segura y firme.
- Nunca deje el producto sin supervisión con el motor en funcionamiento.
- Asegúrese de que las manos y los pies no se acerquen a la unidad de corte cuando el motor esté funcionando.
- Si algo se atasca en las cuchillas mientras trabaja, apague el motor y espere hasta que se haya detenido por completo antes de limpiar las cuchillas. Desconecte el sombrerete de bujía de la bujía.
- Cuando apague el motor, mantenga las manos y los pies alejados de la unidad de corte hasta que se haya detenido completamente.
- Tenga cuidado con los trozos de ramas que puedan salir eyectados durante el corte.
- Preste atención a las señales de advertencia o gritos cuando utilice protectores auriculares. Siempre retire sus protectores auriculares apenas se detenga el motor.
- No trabaje nunca desde una escalera, taburete ni ninguna otra posición elevada que no cumpla a cabalidad con las normas de seguridad.
- Utilice siempre las dos manos para sostener el producto. Mantenga el producto frente a su cuerpo.
- Si se golpea algún objeto extraño o si se producen vibraciones, detenga la máquina de inmediato. Desconecte el sombrerete de bujía de la bujía. Compruebe que el producto no esté dañado. Repare cualquier daño.
- Asegúrese de que el sombrerete de bujía y el cable de encendido estén en perfecto estado para evitar el riesgo de descarga eléctrica.
- Verifique que todas las tuercas y tornillos estén firmes.
- Asegúrese de que la caja de cambios esté correctamente lubricada. Consulte *Para examinar las cuchillas en la página 30*.

- La caja de cambios se calienta cuando se utiliza el producto. Para evitar quemaduras, no toque la caja de cambios.
- Todas las cubiertas y protecciones se deben montar antes del uso.
- Si las hojas se atascan, las puede soltar si inserta la llave combinada en la caja de cambios. Inserte la llave combinada en el engranaje y gírela hacia delante y hacia atrás. Consulte *Para lubricar la caja de engranajes en la página 30*.
- La protección para transportes siempre debe estar instalada en la unidad de corte cuando no se esté utilizando el producto.



- Utilice ropa de material resistente. Use siempre pantalones largos y gruesos, y mangas largas. Evite usar ropas holgadas que se puedan enganchar con ramas. No trabaje con joyas, pantalones cortos, sandalias ni con los pies descalzos. Asegure su cabello por encima del nivel de los hombros.
- Mantenga un equipo de primeros auxilios a mano.



Dispositivos de seguridad en el producto

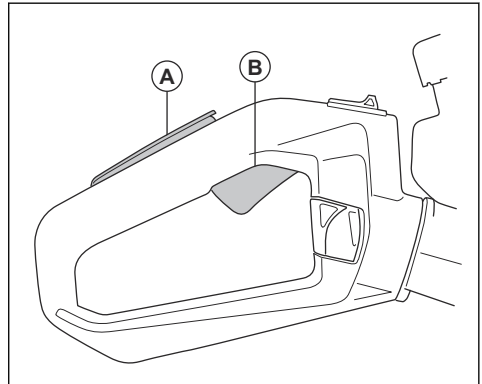


ADVERTENCIA: Lea atentamente las instrucciones de advertencia siguientes antes de usar el producto.

- No utilice un producto con dispositivos de seguridad dañados o que no funcionen correctamente.
- Revise los dispositivos de seguridad de forma regular. Si los dispositivos de seguridad están dañados o no funcionan correctamente, hable con su agente de servicio de RedMax.
- No realice modificaciones en los dispositivos de seguridad.

Comprobación del fiador del acelerador

1. Asegúrese de que el bloqueo del acelerador (A) y el acelerador (B) se muevan libremente y que el muelle de retorno funcione de manera correcta.

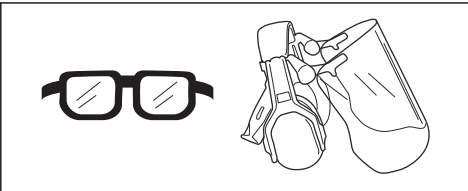


Equipo de protección personal

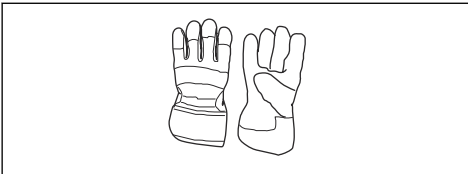


ADVERTENCIA: Lea atentamente las instrucciones de advertencia siguientes antes de usar el producto.

- Utilice siempre el equipo de protección personal adecuado cuando use el producto. El equipo de protección personal no puede impedir el riesgo de lesiones, pero disminuirá el grado de lesión si ocurre un accidente. Permita que su distribuidor le ayude seleccionar el equipo adecuado.
- Utilice protectores auriculares aprobados que proporcionen una reducción de ruido adecuada. La exposición prolongada al ruido puede causar la pérdida permanente de la audición.
- Use protección ocular homologada. Si utiliza un visor, también debe usar gafas protectoras homologadas. Las gafas protectoras homologadas deben cumplir con la norma ANSI Z87.1 de EE. UU. o EN 166 para países de la UE.

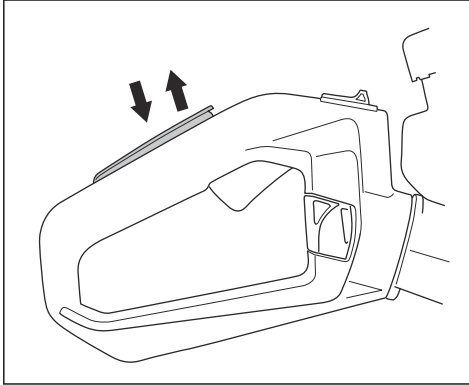


- Utilice guantes cuando sea necesario, por ejemplo, cuando conecte, examine o limpie el equipo de corte.

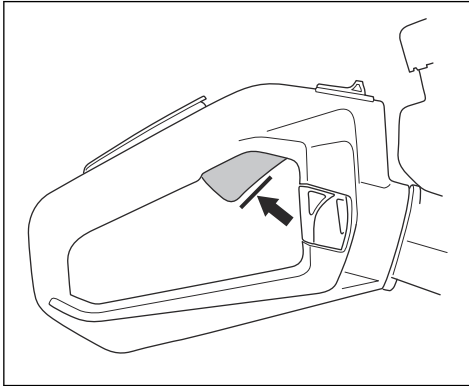


- Utilice botas o zapatos antideslizantes resistentes.

- Presione el bloqueo del acelerador hacia abajo y asegúrese de que vuelva a su posición inicial cuando lo suelte.



- Suelte el bloqueo del acelerador y asegúrese de que el acelerador esté bloqueado en posición de régimen de ralentí.



- Encienda el motor y aplique la aceleración máxima.
- Suelte el acelerador y asegúrese de que las hojas se detengan por completo.



ADVERTENCIA: Si las hojas se mueven cuando el acelerador está en la posición de régimen de ralentí, se debe ajustar el régimen de ralentí. Consulte *Para ajustar el régimen de ralentí en la página 29.*

Para comprobar el interruptor de detención

- Arranque el motor.
- Empuje el interruptor de detención a la posición de detención y asegúrese de que el motor se detenga.



ADVERTENCIA: El interruptor de detención regresa automáticamente a la

posición de arranque. Para evitar un arranque accidental, retire el sombrerete de bujía de la bujía cuando haga el montaje o el mantenimiento del producto.

Para comprobar la protección para la mano

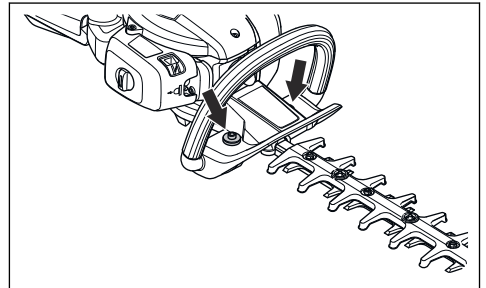
La protección para la mano previene lesiones causadas por las hojas.

- Detenga el motor.
- Asegúrese de que la protección para la mano esté correctamente fijada.
- Examine la protección para la mano para ver si está dañada.

Para comprobar el sistema amortiguador de vibraciones

El sistema de amortiguación de vibraciones disminuye la vibración en los mangos. Los amortiguadores de vibraciones funcionan como una separación entre el cuerpo del producto y el mango.

- Realice una comprobación visual para determinar si hay daños y deformaciones.
- Asegúrese de que los amortiguadores de vibraciones estén fijados correctamente.



Para revisar el silenciador



ADVERTENCIA: No utilice el producto si el silenciador no está instalado o está dañado. Un silenciador dañado o que no está aumenta el nivel de ruido y el riesgo de incendio. Mantenga a mano herramientas de extinción de incendios. Si debe tener una red apagachispas en el área, asegúrese de no utilizar el producto sin una ni con una red que se encuentre rota.



ADVERTENCIA: El silenciador se calienta mucho durante o después del funcionamiento, así como en el régimen de ralentí.



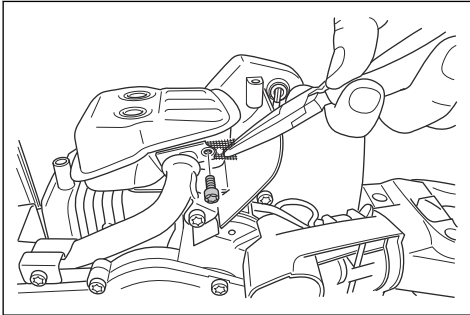
AVISO: Si la rejilla apagachispas se bloquea con frecuencia, puede ser indicio de que el rendimiento del catalizador disminuyó. Diríjase a su concesionario de servicio para examinar el silenciador. Una rejilla apagachispas obstruida producirá un sobrecalentamiento y causará daños en el cilindro y el pistón.



ADVERTENCIA: Las superficies internas del silenciador contienen sustancias químicas que pueden causar cáncer. Tenga cuidado de no tocar estos elementos si el silenciador presenta daños.

El silenciador mantiene los niveles de ruido al mínimo y dirige los gases de escape lejos del operador. Un silenciador con un catalizador disminuye los gases de escape nocivos.

1. Detenga el motor.
2. Realice una comprobación visual para determinar si hay daños y deformaciones.
3. Asegúrese de que el silenciador esté correctamente unido al producto.
4. Limpie la rejilla apagachispas suavemente con un cepillo de alambre.



Para comprobar las hojas y la protección de la hoja

La parte externa de las hojas tiene la función de una protección de la hoja. La protección de la hoja evita que se ocurran heridas por cortes.

1. Detenga el motor y asegúrese de que las hojas se detengan.
2. Quite el sombrerete de bujía de la bujía.
3. Utilice guantes protectores.
4. Compruebe que la hoja y la protección de la hoja no estén dañadas ni dobladas. Reemplace siempre las hojas que estén dañadas o dobladas, así como las protecciones de hojas dañadas.
5. Asegúrese de que los tornillos de las hojas y la protección de la hoja estén apretados.

Seguridad de combustible



ADVERTENCIA: Lea atentamente las instrucciones de advertencia siguientes antes de usar el producto.

- No arranque el producto si hay combustible o aceite de motor en el producto. Quite el combustible o aceite no deseado y deje secar el producto.
- Si derrama combustible en su ropa, cámbiese la ropa inmediatamente.
- No permita que le caiga combustible en el cuerpo, ya que puede causar lesiones. Si le cae combustible en el cuerpo, utilice jabón y agua para quitarlo.
- No arranque el producto si el motor tiene una fuga. Examine frecuentemente el motor en busca de fugas.
- Tenga cuidado con el combustible. El combustible es inflamable y los gases son explosivos y pueden causar lesiones graves o fatales.
- No respire los gases del combustible, ya que pueden causar lesiones. Asegúrese de que haya suficiente flujo de aire.
- No fume cerca del combustible o del motor.
- No coloque objetos calientes cerca del combustible o del motor.
- No agregue combustible cuando el motor esté en marcha.
- Asegúrese de que el motor se enfríe antes de llenar el depósito de combustible.
- Antes de llenar el depósito de combustible, abra lentamente la tapa del depósito de combustible y libere la presión con cuidado.
- No agregue combustible al motor en un área interior. Un flujo de aire insuficiente puede causar lesiones graves o fatales por asfixia o debido al monóxido de carbono.
- Apriete bien la tapa del depósito de combustible. Si no aprieta la tapa del depósito de combustible, se genera un riesgo de incendio.
- Mueva el producto a un mínimo de 3 m/10 pies de la posición en la que llenó el depósito antes de ponerlo en marcha.
- No llene el depósito de combustible completamente. El calor provoca que el combustible se expanda. Deje espacio en la parte superior del depósito de combustible.

Instrucciones de seguridad para el mantenimiento



ADVERTENCIA: Lea atentamente las instrucciones de advertencia siguientes antes de usar el producto.

- Detenga el motor y asegúrese de que el equipo de corte se detenga. Deje que el producto se enfríe antes de realizar tareas de mantenimiento.

- Desconecte el sombrerete de bujía antes de realizar el mantenimiento.
- Los gases de escape del motor contienen monóxido de carbono, un gas inodoro, tóxico y muy peligroso que puede causar la muerte. No arranque el producto en interiores o en espacios cerrados.
- Los gases de escape del motor están calientes y pueden contener chispas. No encienda el producto en interiores ni cerca de materiales inflamables.
- Accesorios y modificaciones en el producto que no estén aprobados por el fabricante pueden causar lesiones graves o la muerte. No modifique el producto. Siempre utilice accesorios originales.
- Si el mantenimiento no se realiza de manera correcta y regular, aumenta el riesgo de que se produzcan lesiones y que el producto se dañe.
- Solo realice mantenimiento según lo que se indica en este manual de usuario. Solicite que un RedMax taller de servicio realice todos los otros servicios.
- Permita que un taller de servicio RedMax aprobado realice trabajos de mantenimiento en el producto con regularidad.
- Cambie las piezas dañadas, desgastadas o rotas.

Funcionamiento

Introducción



ADVERTENCIA: Asegúrese de leer y comprender el capítulo de seguridad antes de utilizar el producto.

Combustible

Este producto tiene un motor de dos tiempos.



AVISO: Usar el tipo incorrecto de combustible puede causar daños en el motor. Utilice una mezcla de gasolina y de aceite para motores de dos tiempos.

Combustible premezclado

- Utilice combustible de alquilato premezclado RedMax para obtener el mejor rendimiento y prolongar la vida útil del motor. Este combustible contiene menos químicos dañinos en comparación con el combustible normal, lo cual disminuye los gases de escape dañinos. La cantidad de restos después de la combustión es menor con este combustible, que mantiene más limpios los componentes del motor.

Para mezclar combustible

Gasolina

- Utilice gasolina sin plomo de buena calidad con un contenido máximo de un 10 % de etanol.



AVISO: No utilice gasolina con un octanaje inferior a 90 RON/87 AKI. El uso de gasolina de octanaje inferior puede causar el golpeteo del motor, lo que provoca daños en el motor.

Aceite para motores de dos tiempos

- Para obtener los mejores resultados y el mejor rendimiento, utilice aceite para motores de dos tiempos RedMax.
- Si el aceite para motores de dos tiempos RedMax no está disponible, utilice un aceite para motores de dos tiempos de buena calidad para motores enfriados por aire. Contáctese con su concesionario de servicio para seleccionar el aceite correcto.



AVISO: No utilice aceite para motores de dos tiempos para motores fueraborda refrigerados por agua, también conocido como aceite para fueraborda. No utilice aceite para motores de cuatro tiempos.

Para mezclar gasolina y aceite para motores de dos tiempos

Gasolina, litros	Aceite para motores de dos tiempos, litro
	2 % (50:1)
5	0,10
10	0,20
15	0,30
20	0,40
Galón estadounidense	Onza líquida EE. UU.
1	2 ½
2 1/2	6 ½
5	12 ¾



AVISO: Los errores pequeños pueden influir drásticamente en la proporción de la mezcla cuando se mezclan cantidades pequeñas de combustible. Mida cuidadosamente la cantidad de aceite y asegúrese de obtener la mezcla correcta.



AVISO: Asegúrese de que el depósito de combustible no esté demasiado lleno. El combustible se expande cuando se calienta.

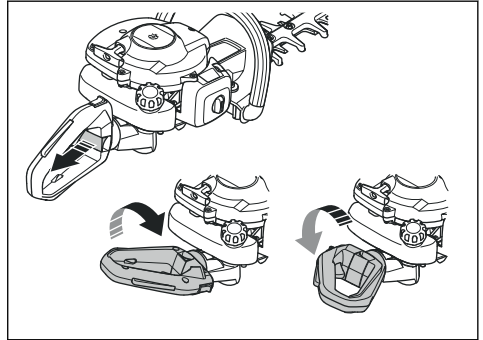
6. Apriete bien la tapa del depósito de combustible cuidadosamente.
7. Limpie los derrames de combustible en el producto y los alrededores.
8. Antes de arrancarlo, aleje el producto 3 m/10' o más del área de recarga de combustible y de la fuente de combustible.

Tenga en cuenta: Para conocer la ubicación del depósito de combustible en el producto, consulte *Descripción general del producto en la página 19*.

Para ajustar el mango

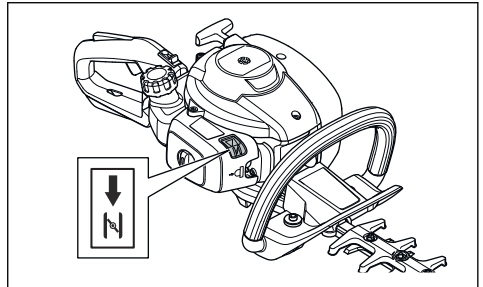
El mango trasero se puede ajustar en 3 posiciones.

- Suelte el bloqueo del mango y gírelo.

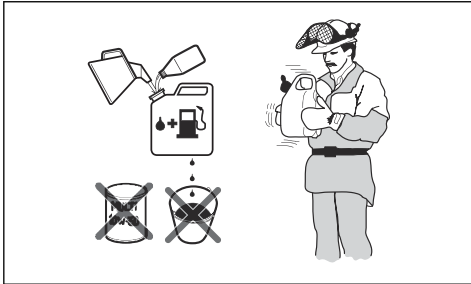


Para arrancar el producto con el motor frío

1. Tire del estrangulador hasta la posición de estrangulamiento.



2. Empuje el bulbo de la bomba de combustible aproximadamente 6 veces o hasta que el bulbo comience a llenar con combustible. No es necesario llenar completamente el bulbo de la purga de aire.
3. Mantenga el cuerpo del producto en el suelo con la mano izquierda. No se pare sobre el producto.



1. Llene la mitad de la cantidad de gasolina en un recipiente limpio para combustible.
2. Agregue la cantidad total de aceite.
3. Agite la mezcla de combustible.
4. Agregue la cantidad restante de gasolina al recipiente.
5. Agite cuidadosamente la mezcla de combustible.



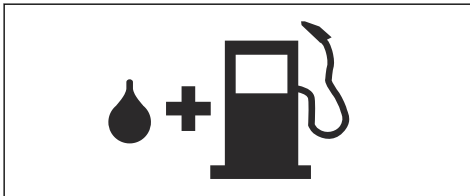
AVISO: No mezcle el combustible durante más de 1 mes cada vez.

Para llenar el depósito de combustible



ADVERTENCIA: Para su seguridad, siga el procedimiento que se indica a continuación.

1. Detenga el motor y deje que se enfríe.
2. Limpie el área alrededor del tapón del depósito de combustible.



3. Agite el recipiente y asegúrese de que el combustible esté totalmente mezclado.
4. Retire lentamente la tapa del depósito de combustible para liberar la presión.
5. Llene el depósito de combustible.

4. Tire de la empuñadura de la cuerda de arranque lentamente con la mano derecha hasta que sienta resistencia; luego, tire de la empuñadura de la cuerda de arranque rápidamente y con fuerza.



ADVERTENCIA: No se enrolle la cuerda de arranque en la mano.



AVISO: No tire la cuerda de arranque en toda su extensión y no suelte la empuñadura de la cuerda de arranque.

5. Siga tirando de la empuñadura de la cuerda de arranque hasta que el motor arranque y, a continuación, empuje el estrangulador hacia su posición inicial.



ADVERTENCIA: Las hojas se mueven cuando se pone en marcha el motor.

6. Siga tirando de la empuñadura de la cuerda de arranque hasta que el motor arranque.
7. Presione y suelte el acelerador para configurar el motor al régimen de ralentí.
8. Presione gradualmente el acelerador para aumentar el régimen del motor.
9. Asegúrese de que el motor funcione correctamente.

Para arrancar el producto con el motor caliente

1. Mantenga el cuerpo del producto en el suelo con la mano izquierda. No se pare sobre el producto.
2. Tire de la empuñadura de la cuerda de arranque lentamente con la mano derecha hasta que sienta resistencia; luego, tire de la empuñadura de la cuerda de arranque rápidamente y con fuerza. Siga hasta que arranque el motor.

Tenga en cuenta: Para obtener más información acerca de cómo arrancar el producto, consulte la

sección *Para arrancar el producto con el motor frío en la página 26.*

Para detener la máquina

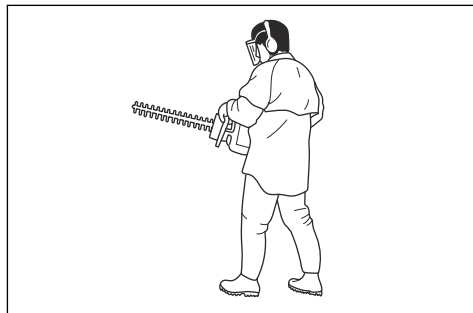
- Mueva el interruptor de detención a la posición de detención para detener el motor.



AVISO: El interruptor de detención regresa automáticamente a la posición de funcionamiento.

Para hacer funcionar el producto

1. Arránquelo cerca del suelo y mueva el producto a lo largo del seto cuando corte en los costados. Asegúrese de que el cuerpo del producto no toque el seto.



ADVERTENCIA: Asegúrese de que la parte delantera del equipo de corte no toque el suelo.

2. Ajuste la velocidad para ajustarla con la carga de trabajo.
3. Mantenga el producto cerca de usted para lograr una posición de trabajo estable.
4. Tenga cuidado y opere el producto lentamente.

Mantenimiento

Introducción



ADVERTENCIA: Lea detenidamente el capítulo de seguridad antes de realizar mantenimiento en el producto.

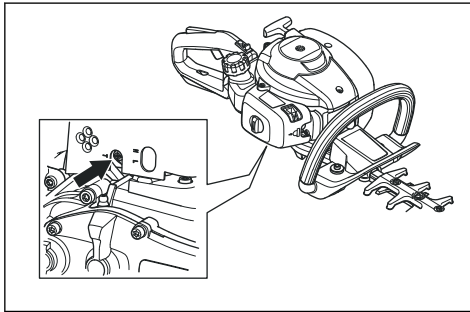
Programa de mantenimiento

Mantenimiento	Antes del funcionamiento	Después de 40 h	Después de 100 h
Limpie la superficie externa.			Después de cada funcionamiento.
Retire hojas, polvo y lubricante no deseado del silenciador, del tubo de escape y del motor.			Después de cada funcionamiento.
Asegúrese de que la unidad de corte no se mueva en el régimen de ralentí.	X		
Compruebe el interruptor de detención Consulte <i>Para comprobar el interruptor de detención en la página 23.</i>	X		
Examine la unidad de corte en busca de daños y grietas. Reemplácelos si es necesario.	X		
Inspeccione la protección para la mano para determinar si presenta daños y grietas. Reemplácelos si es necesario.	X		
Compruebe el bloqueo del acelerador y el acelerador. Consulte <i>Comprobación del fiador del acelerador en la página 22.</i>	X		
Examine el motor, el depósito de combustible y las mangueras de combustible para determinar si hay fugas.	X		
Apriete tuercas y tornillos.	X		
Examine el arranque y la cuerda de arranque en busca de daños.		X	
Compruebe que los tornillos que mantienen juntas las cuchillas estén correctamente ajustados.		X	
Limpie el filtro de aire. Limpie con más frecuencia si se utiliza en superficies que tienen polvo. Reemplácelos si es necesario.		X	
Inspeccione los amortiguadores de vibraciones para determinar si presentan daños y grietas. Reemplácelos si es necesario.		X	
Limpie la superficie exterior de la bujía y el área que la rodea. Retire la bujía y mida la distancia entre los electrodos. Ajuste la distancia entre los electrodos o cambie la bujía. Consulte <i>Para comprobar la bujía en la página 29.</i>		X	
Limpie el sistema refrigerante.		X	
Limpie la superficie exterior del carburador y el espacio que lo rodea.		X	
Inspeccione el filtro de combustible para determinar si presenta contaminación y la manguera de combustible para determinar si presenta grietas u otros daños. Reemplácelos si es necesario.			X
Limpie la rejilla apagachispas del silenciador, reemplácela si está dañada.			X
Limpie la superficie interior del depósito de combustible.			X
Reemplace la bujía.			X
Revise si el embrague, el muelle de embrague y el tambor de embrague presentan desgaste. Solicite a un taller de servicio autorizado que los reemplace si están dañados.			X
Asegúrese de que la caja de engranajes esté engrasada.			X

Mantenimiento	Antes del funcionamiento	Después de 40 h	Después de 100 h
Revise todos los cables y las conexiones.			X

Para ajustar el régimen de ralentí

1. Limpie el filtro de aire e instale la cubierta del filtro de aire.
2. Encienda el producto. Consulte *Para arrancar el producto con el motor frío en la página 26*.
3. Gire el tornillo de ajuste de ralentí en T en el sentido de las agujas del reloj hasta que la unidad de corte comience a moverse.



4. Gire el tornillo de ajuste de ralentí hacia la izquierda hasta que la unidad de corte se detenga.

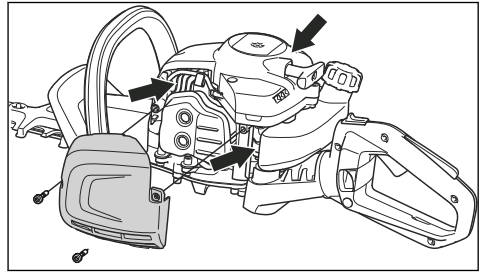


ADVERTENCIA: Si la unidad de corte no se detiene cuando ajusta el régimen de ralentí, consulte con su concesionario de mantenimiento más cercano. No utilice la máquina hasta que esté correctamente ajustada o reparada.

Tenga en cuenta: El régimen de ralentí es el correcto cuando el motor funciona correctamente en todas las posiciones. Consulte *Datos técnicos en la página 32* para conocer el régimen de ralentí recomendado.

Para limpiar el sistema de refrigeración

El sistema refrigerante mantiene la temperatura del motor baja. El sistema refrigerante incluye las aletas de refrigeración en el cilindro, la cubierta del cilindro y la toma de aire a través del cárter.



AVISO: Las hojas pueden obstruir fácilmente la toma de aire entre el depósito de combustible y el cárter. Limpie la toma de aire por completo.

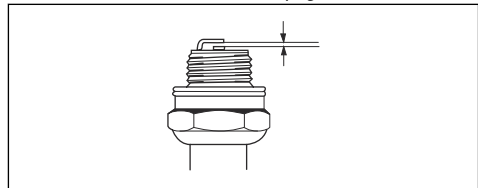
1. Limpie el sistema de refrigeración con un cepillo semanalmente o con mayor frecuencia si es necesario.
2. Asegúrese de que el sistema refrigerante no esté sucio ni obstruido.

Para comprobar la bujía



AVISO: Utilice siempre el tipo de bujía recomendada. El tipo de bujía incorrecto puede causar daños en el producto.

- Revise la bujía si el motor tiene una potencia demasiado baja, no arranca con facilidad o no funciona correctamente al régimen de ralentí.
- Para disminuir el riesgo de material no deseado en los electrodos de la bujía, siga estas instrucciones:
 - a) Asegúrese de que el régimen de ralentí esté ajustado correctamente.
 - b) Asegúrese de que la mezcla de combustible es la correcta.
 - c) Asegúrese de que el filtro de aire esté limpio.
- Si la bujía está sucia, límpiela y asegúrese de que la distancia entre los electrodos sea la correcta, consulte *Datos técnicos en la página 32*.

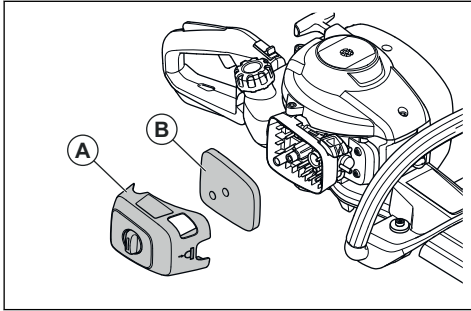


- Reemplace la bujía si es necesario.

Para limpiar el filtro de aire

Limpie el filtro de aire de la suciedad y el polvo con regularidad. Esto evita fallas del carburador, problemas de arranque, pérdida de potencia del motor, el desgaste de las piezas del motor y un mayor consumo de combustible de lo habitual.

1. Quite la cubierta del filtro de aire (A).
2. Retire el filtro (B) del bastidor del filtro.



3. Limpie el filtro con agua jabonosa tibia.

Tenga en cuenta: Un filtro de aire que se utiliza durante mucho tiempo no se puede limpiar completamente. Reemplace el filtro de aire periódicamente. Siempre reemplace el filtro de aire si está dañado.

4. Asegúrese de que el filtro esté seco.
5. Aplique aceite al filtro de aire. Consulte *Para aplicar aceite en el filtro de aire de espuma en la página 30*.
6. Limpie la superficie interior de la cubierta del filtro de aire. Utilice aire comprimido o un cepillo.

Para aplicar aceite en el filtro de aire de espuma



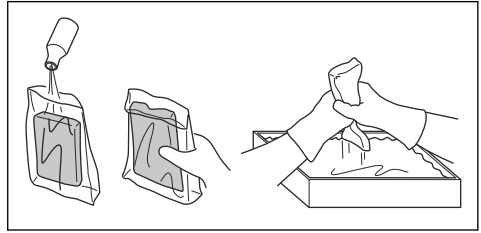
AVISO: Utilice siempre aceite especial RedMax para filtros de aire. No utilice otros tipos de aceite.



ADVERTENCIA: Utilice guantes protectores. El aceite del filtro de aire puede provocar irritación en la piel.

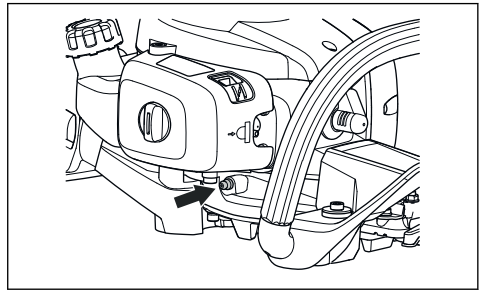
1. Coloque el filtro de aire de espuma en una bolsa de plástico.
2. Coloque el aceite en la bolsa de plástico.
3. Frote la bolsa de plástico para distribuir el aceite de manera uniforme en el filtro de aire de espuma.

4. Quite el aceite no deseado del filtro de aire de espuma mientras esté en la bolsa de plástico.



Para lubricar la caja de engranajes

- Utilice la grasa especial de RedMax. Comuníquese con su taller de servicio para obtener más información sobre recomendaciones de grasa.
- Agregue la grasa a través de la boquilla de engrase.



AVISO: No llene la caja de engranajes completamente.

Para limpiar y lubricar las hojas

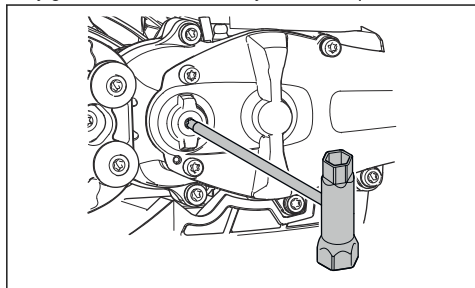
1. Retire materiales no deseados de las hojas antes y después de utilizar el producto.
2. Lubrique las cuchillas antes de períodos prolongados de almacenamiento.

Tenga en cuenta: Comuníquese con su taller de servicio para obtener más información sobre los agentes de limpieza y lubricantes recomendados.

Para examinar las cuchillas

1. Coloque la tapa en la caja de engranajes.

- Asegúrese de que las hojas se muevan libremente. Coloque la llave combinada en la caja de engranajes y gírelas hacia la derecha y hacia la izquierda.



- Inspeccione los bordes de las hojas para determinar si presentan daños o deformaciones.
- Utilice una lima para quitar las rebabas de las hojas.

Solución de problemas

Solución de problemas

El motor no arranca		
Problema	Causa posible	Paso recomendado
Ganchos de arranque	Los ganchos de arranque no se pueden mover libremente.	Ajuste o reemplace los ganchos de arranque.
		Limpie alrededor de los ganchos de arranque.
		Consulte a un taller de servicio autorizado.
Depósito de combustible	Tipo de combustible incorrecto	Vaciéelo y utilice el combustible correcto.
Carburador	Régimen de ralentí incorrecto.	Ajuste el régimen de ralentí.
Ausencia de chispa	La bujía está sucia o mojada.	Asegúrese de que la bujía esté limpia y seca.
	Distancia entre los electrodos incorrecta.	Limpie la bujía. Asegúrese de que la distancia entre los electrodos de la bujía sea la correcta. Asegúrese de que la bujía está instalada con un supresor. Consulte <i>Datos técnicos en la página 32</i> para conocer la distancia correcta entre los electrodos.
Bujía	La bujía está floja.	Ajuste la bujía.

El motor arranca, pero se detiene de nuevo.		
Problema	Causa posible	Paso recomendado
Depósito de combustible	Tipo de combustible incorrecto	Vaciéelo y utilice el combustible correcto.
Carburador	Régimen de ralentí incorrecto.	Ajuste el régimen de ralentí. Consulte <i>Para ajustar el régimen de ralentí en la página 29</i> . Consulte a su taller de servicio si es necesario.

El motor arranca, pero se detiene de nuevo.		
Problema	Causa posible	Paso recomendado
Filtro de aire	Filtro de aire obstruido.	Limpie el filtro de aire.

Hoja		
Problema	Causas posibles	Paso recomendado
La hoja se mueve lentamente o no se mueve.	La hoja se bloquea o está dañada.	Limpie las hojas de materiales no deseados. Consulte <i>Para limpiar y lubricar las hojas en la página 30</i> . Quite las rebabas de la hoja, consulte la sección <i>Para examinar las cuchillas en la página 30</i> . Reemplace la hoja si está dañada.
La hoja no corta con facilidad.	La hoja no está bien afilada o está dañada.	Afile la hoja, consulte la sección <i>Para examinar las cuchillas en la página 30</i> . Reemplace la hoja si está dañada.
La hoja se calienta.	Hay fricción entre las hojas.	Quite las rebabas de la hoja y lubríquela. Consulte <i>Para limpiar y lubricar las hojas en la página 30</i> .

Transporte, almacenamiento y eliminación de residuos

Transporte y almacenamiento

- Siempre deje que el producto se enfríe antes de guardarlo.
- Para el almacenamiento y el transporte del producto y del combustible, asegúrese de que no haya fugas o vapores. Las chispas o llamas, por ejemplo, de dispositivos eléctricos o calderas, pueden iniciar un incendio.
- Siempre use contenedores aprobados para el almacenamiento y el transporte del combustible.
- Vacíe el combustible antes de un almacenamiento prolongado. Deseche el combustible en un lugar adecuado para tal propósito.
- Fije la protección para transportes durante el transporte y almacenamiento.

- Quite el sombrerete de bujía de la bujía.
- Fije el producto durante el transporte. Asegúrese de que no se mueva.
- Limpie y realice mantenimiento en el producto antes de almacenarlo durante un período prolongado.

Eliminación

- Respete las normas locales y las reglas aplicables.
- Deseche todos los productos químicos, como el combustible o el aceite del motor, en un centro de servicio o en un sitio adecuado para tal propósito.
- Deseche el producto en un lugar aprobado o envíelo a RedMax para su eliminación.

Datos técnicos

Datos técnicos

	CHTZ60
Motor	
Cilindrada, cm ³ /pulg. cúb	21,7/1,32
Régimen de ralentí, rpm	2900

	CHTZ60
Velocidad máxima recomendada, rpm	9000
Potencia máxima del motor, según la norma ISO 8893, kW/hp a rpm	0,6/0,8 a 7800
Silenciador con catalizador	Sí
Sistema de encendido	
Bujía	HQT-4 672201
Distancia entre los electrodos, pulg/mm	0,02/0,5
Combustible	
Capacidad del depósito de combustible, pinta EE. UU./l	0,6/0,3
Peso	
Sin combustible, lb/kg	11,5/5,2
Cuchillas	
Tipo	Doble cara
Longitud de corte, pulg/mm	24/600
Velocidad de corte, cortes/min	4400

DECLARACIÓN DE GARANTÍA DEL CONTROL DE EMISIONES DE VAPORES Y DE ESCAPE CONFORME A LA NORMATIVA FEDERAL DE LOS ESTADOS UNIDOS Y LA NORMATIVA DE CANADÁ

DERECHOS Y OBLIGACIONES DE LA GARANTÍA

La Agencia de Protección Medioambiental de EE. UU. (EPA, del inglés Environmental Protection Agency), el ministerio de Medioambiente y Cambio Climático de Canadá y Husqvarna Professional Products, Inc. se complacen en profundizar sobre la garantía del sistema de control de emisiones de vapores y de escape ("emisiones") para los modelos de motores pequeños para todoterreno del año 2012 y posteriores*. En EE. UU. y Canadá, los nuevos equipos que utilizan motores pequeños para todoterreno se deben diseñar, construir y equipar conforme a las estrictas normas de control de emisiones contaminantes del Estado. Husqvarna Professional Products, Inc. debe proporcionar una garantía para el sistema de control de emisiones del motor pequeño para todoterreno por los períodos que se indican a continuación, siempre que no haya ningún abuso, negligencia ni mantenimiento incorrecto del motor pequeño para todoterreno o del equipo que pueda provocar la falla del sistema de control de emisiones. El sistema de control de emisiones puede incluir piezas como un carburador o un sistema de inyección de combustible, un sistema de encendido, un catalizador, depósitos de combustible, tuberías de combustible (para combustible líquido y vapores de combustible), tapones de combustible, válvulas, depósitos, filtros, abrazaderas y otros componentes asociados. Además, puede incluir mangueras, correas, conectores y otros montajes relacionados con las emisiones. Cuando exista una condición cubierta por la garantía, Husqvarna Professional Products, Inc. reparará el motor de pequeña cilindrada para todo terreno sin costo, incluido el diagnóstico, las piezas y la mano de obra.

COBERTURA DE LA GARANTÍA DEL FABRICANTE

El sistema de control de emisiones de vapores y de escape del motor pequeño para todo terreno tiene una garantía de dos años. Si alguna de las piezas del motor de pequeña cilindrada para todo terreno relacionada con las emisiones tiene una falla, Husqvarna Professional Products, Inc. reparará o reemplazará la pieza.

RESPONSABILIDADES DE GARANTÍA DEL PROPIETARIO

- Como propietario del motor pequeño para todoterreno, usted es responsable de la ejecución del mantenimiento necesario que se detalla en el manual del propietario. Husqvarna Professional Products, Inc. recomienda que conserve todos los recibos que cubran el mantenimiento del motor pequeño para todoterreno; sin embargo, Husqvarna Professional Products, Inc. no puede negar la cobertura de la garantía solo por la falta de recibos o porque no pueda garantizar la realización de todo el mantenimiento programado.
- No obstante, como propietario del motor de pequeña cilindrada para todo terreno debe saber que Husqvarna Professional Products, Inc. puede negar la cobertura de la garantía si dicho motor o una de sus piezas falló como resultado del abuso, negligencia o mantenimiento incorrecto, o modificaciones no aprobadas.
- Usted es responsable de llevar el motor pequeño para todoterreno a un taller de servicio autorizado Husqvarna Professional Products, Inc. lo antes posible en cuanto surja un problema. Las reparaciones bajo garantía se deben realizar dentro de un tiempo razonable que no supere los 30 días. Si tiene preguntas acerca de los derechos y las responsabilidades que implica esta garantía, debe comunicarse con Husqvarna Professional Products, Inc. en EE. UU. al 1-800-487-5951, en CANADÁ al 1-800-805-5523 o enviar un correo electrónico a emissions@husqvarnagroup.com o warranty@hqp-emissions.com.

FECHA DE INICIO DE LA GARANTÍA

El período de garantía comienza en el momento en que se entrega el motor o equipo al comprador final.

EXTENSIÓN DE LA COBERTURA

Husqvarna Professional Products, Inc. garantiza al comprador final y a cualquier comprador posterior que el motor, así como el equipo, se diseñaron, construyeron y equiparon conforme a las normativas pertinentes adoptadas por la EPA, y que no presentan defectos en cuanto a los materiales ni la mano de obra que causen la falla de una pieza cubierta por la garantía durante un período de dos años.

ELEMENTOS CON COBERTURA

REPARACIÓN O REEMPLAZO DE PIEZAS: La reparación o el reemplazo de cualquier pieza defectuosa en garantía se realizará sin cargo para el propietario en un taller de servicio autorizado. El propietario puede elegir el taller de reparación o una persona que realice los servicios de mantenimiento, reemplazo o reparación de los dispositivos y sistemas de control de emisiones, con excepción de las reparaciones y el reemplazo detallados en esta garantía de control de emisiones. Sin embargo, Husqvarna Professional Products, Inc. recomienda que un taller

de servicio autorizado de la marca realice todos los servicios de mantenimiento, reemplazo y reparación de los dispositivos y sistemas de control de emisiones.

IMPORTANTE: este producto cumple con la normativa Fase 3 de la EPA (Environmental Protection Agency, Agencia de Protección Medioambiental) de EE. UU. referente a emisiones de escape y evaporación. A fin de garantizar el cumplimiento de la EPA Fase 3 de EE. UU. y la regulación del Ministerio de Medioambiente y Cambio Climático de Canadá (Environment and Climate Change Canada), recomendamos utilizar solo piezas de repuesto originales de la marca del producto. El uso de piezas de repuesto que no cumplan con esta norma es una violación de las leyes federales y estatales.

PERÍODO DE GARANTÍA: Cualquier pieza cubierta por la garantía que no esté programada para reemplazo como mantenimiento necesario, o que esté programada solo para una inspección regular al efecto de "reparación o reemplazo según sea necesario", contará con una garantía de 2 años (o la duración establecida en la garantía del producto, lo que sea mayor) desde la fecha de compra del comprador original. Toda pieza que esté programada para su reemplazo como parte del mantenimiento necesario contará con la garantía por el período hasta el primer reemplazo programado de la pieza. Cualquier pieza reparada o sustituida en conformidad con la garantía debe estar garantizada durante el lapso restante del período.

DIAGNÓSTICO: No se aplicarán tarifas por los trabajos de diagnóstico que lleven a determinar que una pieza bajo garantía se encuentra de hecho defectuosa, siempre y cuando dicho trabajo de diagnóstico se realice en un taller de servicio autorizado de la marca.

OTROS DAÑOS: Husqvarna Professional Products, Inc. reparará los daños a otros componentes del motor causados por la falla de una pieza garantizada que aún se encuentre cubierta por la garantía.

LISTADO DE PIEZAS DE EMISIONES CUBIERTAS POR LA GARANTÍA

1. Carburador y piezas de admisión o sistemas de inyección de combustible.
2. Filtro de aire y filtro de combustible, cubiertos hasta el programa de mantenimiento.
3. Bujía, cubierta hasta el programa de mantenimiento.
4. Módulo de ignición.
5. Silenciadores con catalizadores y colectores de escape.
6. Depósito de combustible, tuberías de combustible (para combustible líquido y vapores del combustible), tapón de combustible, depósito de carbono y válvulas de seguridad o antiderrame, según corresponda*.
7. Controles electrónicos, y válvulas e interruptores susceptibles al tiempo, la temperatura y la succión.
8. Mangueras, conectores y montajes.
9. Todos los otros componentes cuya falla aumentaría las emisiones de vapores y de escape del motor

de cualquier contaminante reglamentado, como se establece en la siguiente sección:

- Para los Estados Unidos y Canadá, consulte el US Federal Code of Regulations (Código de disposiciones federales de los Estados Unidos), 40 C.F.R 1068, Anexo I (III).

ELEMENTOS SIN COBERTURA

Las fallas causadas por abuso, negligencia, modificaciones no aprobadas, mal uso o mantenimiento incorrecto no están cubiertas por la garantía.

AÑADIDAS O PIEZAS MODIFICADAS: No pueden utilizarse complementos o piezas modificadas no exentas por la EPA. La utilización de añadidas o de piezas modificadas no exentas podrá servir de fundamento para anular una reclamación de garantía. Husqvarna Professional Products, Inc. no será responsable de las fallas de garantía de las piezas garantizadas provocadas por el uso de complementos o piezas modificadas no exentas.

CÓMO PRESENTAR UNA RECLAMACIÓN

Si tiene preguntas relacionadas con sus derechos y responsabilidades de la garantía, deberá comunicarse con su concesionario de servicio autorizado más cercano o llamar a Husqvarna Professional Products, Inc. en EE. UU. al 1-800-487-5951, en CANADÁ al 1-800-805-5523 o enviar un correo electrónico a emissions@husqvarnagroup.com o warranty@hpp-emissions.com.

DÓNDE OBTENER SERVICIOS DE LA GARANTÍA

Las reparaciones o los servicios de la garantía se brindan a través de todos los talleres de servicio autorizados de Husqvarna Professional Products, Inc.. Si el taller de servicio autorizado más cercano se encuentra a más de 160 kilómetros (100 millas) de su ubicación, Husqvarna Professional Products, Inc. se encargará de organizar y pagar los costos de envío al taller de servicio autorizado de la marca, y desde este, o dispondrá un servicio de garantía en conformidad con las normativas correspondientes.

MANTENIMIENTO, REEMPLAZO Y REPARACIÓN DE PIEZAS RELACIONADAS CON EL CONTROL DE EMISIONES

Cualquier pieza para sustituir una defectuosa puede utilizarse en cualquier mantenimiento o reparación bajo garantía y deben proporcionarse al propietario sin cargo. Dicho uso no reducirá las obligaciones de la garantía por parte del fabricante.

DECLARACIÓN DE MANTENIMIENTO

El propietario es responsable de la realización de todo el mantenimiento requerido, según se establece en el manual del propietario.

* Piezas de emisiones evaporativas.

PRECAUCIONES DE SEGURIDAD DE NORMAS ESTADOUNIDENSES

PRECAUCIONES DE SEGURIDAD PARA USUARIOS DE MOTOSIERRAS

(Anexo)

PRECAUCIONES DE SEGURIDAD DE RECALADA



ADVERTENCIA: La reculada se puede producir cuando la punta o puntera de la espada toca un objeto o cuando la madera se acerca a la cadena de sierra o la atrapa en el corte.

El contacto de la puntera, en algunos casos, puede causar una reacción inversa repentina que hará que la espada guía dé sacudidas hacia arriba y de nuevo hacia atrás, hacia el operador.

Si la cadena de sierra se atasca en la parte superior de la espada guía, es posible que esta salga expulsada hacia atrás rápidamente en dirección al operador.

Cualquiera de estas reacciones puede provocar que pierda el control de la sierra, lo que podría causar daños personales graves.

No confíe ciegamente en los dispositivos de seguridad incorporados en su sierra. Como usuario de una motosierra, debe tomar varias medidas para mantener su trabajo de corte libre de accidentes y lesiones.

Si comprende básicamente las reculadas, puede reducir o eliminar el elemento sorpresa. Los cambios repentinos contribuyen a los accidentes.

Mantenga un buen agarre firme de la sierra con ambas manos, con la mano derecha en el mango trasero y con la mano izquierda en el mango delantero, cuando el motor esté en marcha. Ponga firmemente los pulgares y los dedos alrededor de los mangos de la motosierra. Un agarre firme lo ayudará a reducir la reculada y mantener el control de la sierra. No lo suelte.

Asegúrese de que no haya obstáculos en el área en la que está cortando. No deje que la punta de la espada guía entre en contacto un tronco, ramas o cualquier otro obstáculo con el que se pudiera golpear mientras opera la sierra.

Corte a un alto régimen del motor.

No sobrepase ni corte por encima de la altura de los hombros.

Siga las instrucciones del fabricante para el mantenimiento y el afilado de la cadena de sierra.

Utilice únicamente las espadas y cadenas de repuesto especificadas por el fabricante u otras equivalentes.

OTRAS PRECAUCIONES DE SEGURIDAD



ADVERTENCIA: ¡No opere la motosierra con una sola mano! Usar la motosierra con una sola mano puede causar daños graves al operador, a sus ayudantes, a las personas que están en el lugar o a cualquier combinación de estas personas. Las motosierras deben usarse con las dos manos.

No opere una motosierra si está cansado.

Utilice calzado de seguridad; ropa ceñida, guantes protectores y protectores auriculares, oculares y casco.

Debe tener cuidado cuando manipule combustible. Mueva la motosierra al menos a 3 m (10') del punto de abastecimiento antes de arrancar el motor.

No permita que haya otras personas cerca de la motosierra durante el arranque o la operación de corte con ella. Mantenga a las personas y animales alejados de la zona de trabajo.

No inicie el corte hasta que tenga un área de trabajo despejada, una postura segura y una retirada planificada del árbol en caída.

Mantenga todas las partes del cuerpo lejos de la cadena de sierra cuando el motor esté en marcha.

Antes de arrancar el motor, asegúrese de que la cadena de sierra no esté en contacto con nada.

Transporte la motosierra con el motor detenido, la espada guía y la cadena de sierra en la parte trasera y con el silenciador lejos de su cuerpo.

No utilice una motosierra dañada, mal ajustada o montada de forma incompleta e insegura. Asegúrese de que la cadena de sierra deje de moverse al soltar el gatillo del acelerador.

Apague el motor antes de bajar la motosierra.

Extreme las precauciones cuando corte malezas y retoños pequeños, ya que los materiales delgados pueden atascarse en la cadena de sierra y golpearlo o hacerlo perder el equilibrio.

Cuando corte una rama tensa, preste atención a la retracción, de modo que no reciba un impacto cuando la tensión de las fibras de madera se libere.

Mantenga los mangos secos, limpios y libres de aceite o de mezcla de combustible.

Haga funcionar la motosierra solo en lugares bien ventilados.

No utilice una motosierra en un árbol, a menos que haya recibido la formación específica para hacerlo.

No opere una motosierra por sobre la altura de los hombros.

Todas las tareas de servicio de la motosierra, distintas de los puntos indicados en las instrucciones de mantenimiento y seguridad del propietario/usuario, las deben realizar técnicos de servicio cualificados. (Por

ejemplo, si se utilizan herramientas inapropiadas para retirar o sostener el volante a fin de sacar el embrague, pueden producirse daños estructurales en el volante y causar que este reviente).

Al transportar su motosierra, utilice la protección de la espada guía adecuada.

Tenga en cuenta: Este anexo está destinado principalmente al consumidor o a usuarios ocasionales.

Table des matières

Introduction.....	38	Dépannage.....	50
Sécurité.....	39	Transport, entreposage et mise au rebut.....	51
Fonctionnement.....	44	Caractéristiques techniques.....	52
Entretien.....	46	Garantie.....	53

Introduction

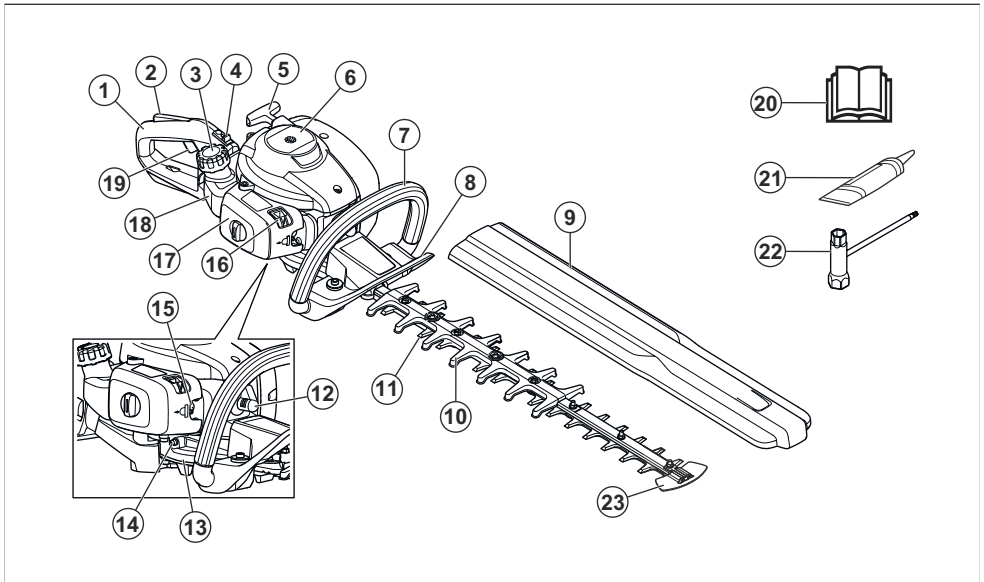
Description de l'outil

Le produit est un taille-haie avec moteur à combustion.

Utilisation prévue

Utiliser cet outil pour couper les branches et les broussailles. Ne pas utiliser l'outil pour d'autres tâches.

Présentation de l'appareil



1. Poignée arrière
2. Dispositif de verrouillage de la gâchette de l'accélérateur
3. Bouchon du réservoir de carburant
4. Interrupteur d'arrêt
5. Corde du lanceur
6. Couvercle de vérin
7. Poignée avant
8. Protège-mains
9. Dispositif de protection pour le transport
10. Protège-lame
11. Lame
12. Capuchon de bougie et bougie d'allumage
13. Carter
14. Raccord de graissage

15. Pompe de purge d'air
16. Commande de l'étrangleur
17. Couvercle du filtre à air
18. Réservoir de carburant
19. Commande des gaz
20. Manuel d'utilisateur
21. Tube de graisse
22. Clé à usages multiples
23. Protection des pointes des lames

Symboles figurant sur le produit



AVERTISSEMENT! Ce produit est dangereux. L'opérateur ou les personnes à proximité peuvent subir des blessures graves voire mortelles, si le produit

n'est pas utilisé correctement et avec précaution. Pour éviter des blessures à l'opérateur ou aux personnes à proximité, lire et respecter toutes les consignes de sécurité contenues dans le manuel d'utilisation.



Avant d'utiliser la tondeuse, lire attentivement le manuel d'utilisation et veiller à bien comprendre les directives.



Utiliser un dispositif de protection pour les oreilles et des lunettes de protection homologués.



Utiliser des gants de protection homologués.



Utiliser des bottes antidérapantes robustes.

yyyywwxxxx

La plaque signalétique indique le numéro de série où **yyyy** représente l'année de production et **ww** la semaine de production.

Remarque : Les autres symboles et autocollants apposés sur le produit se rapportent aux exigences en matière de certification pour certains marchés.

EPA III

EMISSION CONTROL INFORMATION



HUSQVARNA AB HUSKVARNA SWEDEN
THIS ENGINE MEETS U.S. EPA
EXH/EVP REGS FOR [REDACTED].
EMISSIONS COMPLIANCE PERIOD: [REDACTED] HRS

La période de conformité aux normes d'émissions indiquée sur les étiquettes de conformité aux normes d'émissions se rapporte au nombre d'heures de fonctionnement du moteur qui répond aux exigences fédérales en matière d'émissions. N'importe quel établissement ou agent de réparation de moteur non routier peut effectuer l'entretien, le remplacement et la réparation des dispositifs et du système de contrôle des émissions.

Sécurité

Définitions relatives à la sécurité

Les avertissements, recommandations et remarques soulignent des points du manuel qui revêtent une importance particulière.



AVERTISSEMENT : Indique la présence d'un risque de blessure ou de décès de l'utilisateur ou de personnes à proximité si les instructions du manuel ne sont pas suivies.



MISE EN GARDE : Indique la présence d'un risque de dommages au produit, à d'autres appareils ou à la zone adjacente si les instructions du manuel ne sont pas suivies.

Remarque : Utilisé pour donner des renseignements plus détaillés qui sont nécessaires dans une situation donnée.

Consignes générales de sécurité



AVERTISSEMENT : Lire les messages d'avertissement qui suivent avant d'utiliser l'appareil.

- Une utilisation inappropriée ou imprudente du produit risque d'en faire un outil dangereux susceptible de provoquer des blessures graves, voire mortelles. Il est extrêmement important de lire et de comprendre le contenu de ce manuel de l'opérateur.
- Ce produit produit un champ électromagnétique pendant le fonctionnement. Ce champ magnétique peut, dans certains cas, nuire aux implants médicaux actifs ou passifs. Pour réduire le risque de blessures graves ou mortelles, nous recommandons aux personnes ayant des implants médicaux de consulter leur médecin et le fabricant de l'implant médical avant d'utiliser le produit.
- La surexposition aux vibrations peut engendrer des problèmes circulatoires ou des troubles nerveux, en particulier chez les personnes ayant des troubles circulatoires. En cas de symptômes liés à une surexposition aux vibrations, consulter un médecin. Voici certains de ces symptômes : engourdissement,

perte de sensibilité, fourmillement, picotement, douleur, faiblesse musculaire, décoloration ou modification de l'épiderme. Ces symptômes apparaissent normalement aux doigts, aux mains et aux poignets. Les risques augmentent à basse température.

- Il est recommandé de consulter un expert en cas de doute. Communiquer avec votre concessionnaire ou votre atelier d'entretien. Éviter toutes les utilisations qui vous semblent difficiles.
- Un silencieux/pare-étincelles et une face de montage du pare-étincelles usagés peuvent contenir des dépôts de particules de combustion potentiellement cancérigènes. Éviter de vous exposer à ces composés lors de la manipulation du silencieux ou du pare-étincelles. Avant de manipuler le silencieux ou le pare-étincelles, se reporter à *Pour vérifier le silencieux à la page 42*.
- Garder en tête que l'opérateur ou l'utilisateur est responsable des accidents et des risques survenant à d'autres personnes, ainsi que de ses biens.
- Ne jamais laisser des gens utiliser le produit sans d'abord s'assurer qu'ils ont compris le contenu du manuel de l'opérateur.
- Ne jamais laisser des enfants utiliser le produit ou se tenir à proximité de celui-ci. Puisque le produit est équipé d'un interrupteur de marche-arrêt à ressort et peut être démarré à bas régime ou en exerçant une légère force sur la poignée du lanceur, même des jeunes enfants dans certaines circonstances peuvent produire la force nécessaire pour démarrer le produit. Cela peut entraîner un risque de blessure grave. Par conséquent, retirer le capuchon de bougie d'allumage lorsque le produit n'est pas sous une surveillance stricte.
- Entreposer le produit hors de portée des enfants.
- N'utilisez jamais le produit si vous êtes fatigué, sous l'effet de l'alcool ou de médicaments susceptibles de nuire à la vision, au bon jugement ou à la coordination.
- Ne jamais utiliser un appareil défectueux. Effectuer les vérifications, l'entretien et les réparations conformément aux instructions fournies dans ce manuel. Certaines réparations et tâches d'entretien doivent être effectuées par des spécialistes formés et qualifiés. Voir les instructions sous la rubrique Entretien.
- Ne jamais utiliser un appareil qui a été modifié de quelque manière que ce soit par rapport aux spécifications d'origine.

- Des lames en mauvais état augmentent le risque d'accident.
- S'assurer qu'aucune personne ni aucun animal ne s'approche à moins de 15 m (50 pi) pendant le travail.
- Observer la zone environnante et s'assurer qu'il n'y a aucune personne ou aucun animal qui risque d'entrer en contact avec l'équipement de coupe.
- Inspecter la zone de travail. Retirer tout objet susceptible d'être projeté.
- Toujours s'assurer d'être dans une position de travail sécuritaire et stable.
- Ne laissez jamais le produit sans surveillance lorsque le moteur est en marche.
- Lorsque le moteur est en marche, garder les mains et les pieds à l'écart de l'unité de coupe.
- Si un objet se coince dans les lames durant le travail, couper le moteur et attendre qu'il s'arrête complètement avant de nettoyer les lames. Débranchez le chapeau de bougie de la bougie.
- Lorsque le moteur est coupé, garder les mains et les pieds à l'écart de l'unité de coupe jusqu'à ce qu'il soit complètement arrêté.
- Faire attention aux branches pouvant être projetées durant la coupe.
- Rester attentif aux appels ou cris d'avertissement en cas de port de protecteurs d'oreilles. Toujours enlever les protecteurs d'oreilles dès que le moteur s'arrête.
- Ne jamais travailler debout sur une échelle, un tabouret, ou dans une autre position élevée n'offrant pas une sécurité maximale.
- Toujours tenir le produit à deux mains. Tenir l'outil en avant du corps.
- Si le produit touche un objet étranger quelconque ou produit des vibrations, l'arrêter immédiatement. Débranchez le chapeau de bougie de la bougie. S'assurer que le produit n'a pas subi de dommages. Réparez tout dommage.
- S'assurer que le capuchon de la bougie d'allumage et le fil d'allumage ne sont pas endommagés, afin d'éviter le risque de décharge électrique.
- Vérifier le serrage de l'ensemble des écrous et des vis.
- S'assurer que la boîte de vitesses est correctement lubrifiée. Se reporter à *Pour examiner les lames à la page 50*.
- La boîte de vitesses devient chaude après l'utilisation du produit. Ne pas toucher la boîte de vitesses afin d'éviter les brûlures.
- Tous les couvercles et toutes les protections doivent être montés avant le démarrage.
- Si les lames se bloquent, il est possible de les desserrer en insérant une clé à usages multiples dans la boîte de vitesses. Insérer la clé à usages multiples dans l'engrenage et la tourner d'avant en arrière. Se reporter à *Pour lubrifier le carter d'engrenage à la page 49*.

Consignes de sécurité pour l'utilisation



AVERTISSEMENT : Lire les messages d'avertissement qui suivent avant d'utiliser l'appareil.

- N'utilisez jamais le produit dans des conditions climatiques extrêmes, par exemple, dans des climats extrêmement froids, très chauds ou très humides.

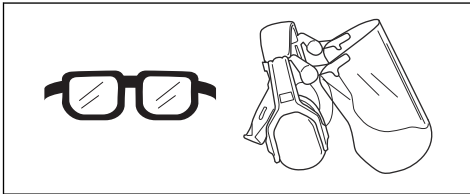
- Toujours installer la protection de transport sur l'unité de coupe lorsque le produit n'est pas en cours d'utilisation.

Équipement de protection personnelle

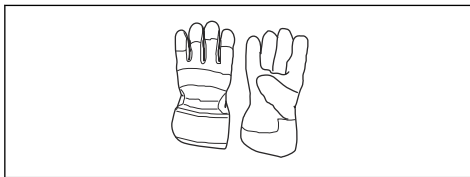


AVERTISSEMENT : Lire les messages d'avertissement qui suivent avant d'utiliser l'appareil.

- Toujours utiliser un équipement de protection personnelle homologué lors de l'utilisation de l'appareil. Cet équipement de protection personnelle n'élimine pas complètement les risques de blessures, mais il peut en réduire la gravité en cas d'accident. Laisser le concessionnaire vous aider à sélectionner l'équipement adéquat.
- Porter des protecteurs d'oreille homologués qui assurent une réduction adéquate du bruit. L'exposition prolongée au bruit peut causer des lésions auditives permanentes.
- Utiliser un dispositif de protection homologué pour les yeux. Porter également des lunettes de protection homologuées en cas d'utilisation d'une visière. Les lunettes de protection homologuées doivent être conformes à la norme ANSI Z87.1 aux États-Unis ou à la norme EN 166 dans les pays de l'Union européenne.



- Utiliser des gants au besoin, par exemple lors de la fixation, de l'examen ou du nettoyage de l'instrument de coupe.



- Porter des bottes ou chaussures antidérapantes robustes.



- Utiliser des vêtements faits de tissus résistants. Toujours utiliser des pantalons longs et lourds et des manches longues. Ne pas porter des vêtements amples qui peuvent se prendre dans les broussailles et les branches. Ne pas porter des bijoux, des pantalons courts, des sandales et ne pas marcher pieds nus. Garder les cheveux au-dessus des épaules.
- Garder une trousse de premiers soins à portée de main.



Dispositifs de sécurité sur l'outil

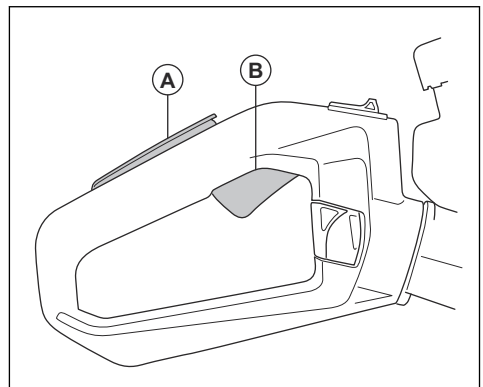


AVERTISSEMENT : Lire les messages d'avertissement qui suivent avant d'utiliser l'appareil.

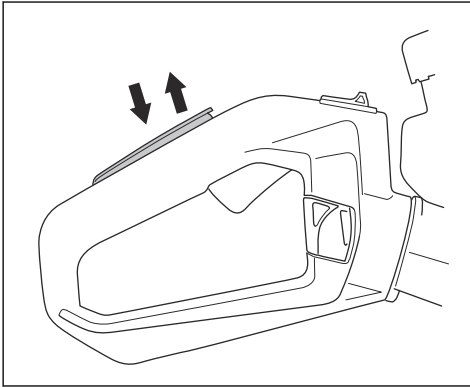
- Ne pas utiliser le produit si les dispositifs de sécurité sont endommagés ou s'ils ne fonctionnent pas correctement.
- Vérifier régulièrement les dispositifs de sécurité. Si les dispositifs de sécurité sont endommagés ou ne fonctionnent pas correctement, communiquez avec votre atelier spécialisé RedMax.
- Ne pas modifier les dispositifs de sécurité.

Pour vérifier le verrouillage de la gâchette de l'accélérateur

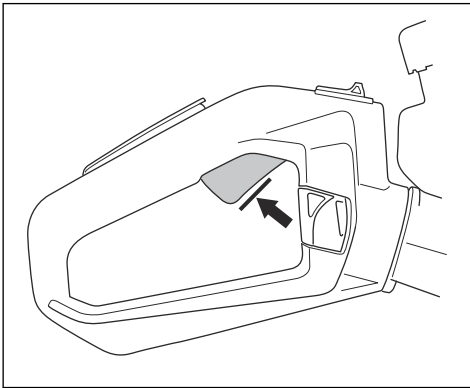
1. Vérifier que le dispositif de verrouillage de la gâchette d'accélération et la gâchette d'accélération bougent librement et que le ressort de retour fonctionne correctement.



- Appuyer sur le dispositif de verrouillage de la gâchette et s'assurer qu'il retourne à sa position initiale lorsqu'on le relâche.



- Relâcher le dispositif de verrouillage de la gâchette et assurez-vous qu'elle est verrouillée en position de ralenti.



- Démarrer le moteur et le lancer à plein régime.
- Relâcher la gâchette d'accélération et s'assurer que les lames s'arrêtent complètement.



AVERTISSEMENT : Si les lames tournent lorsque la gâchette d'accélération se trouve à la position de ralenti, régler le régime de ralenti. Se reporter à la section *Réglage du régime de ralenti* à la page 48.

Pour vérifier l'interrupteur d'arrêt

- Démarrer le moteur.
- Appuyer sur l'interrupteur d'arrêt en position d'arrêt et s'assurer que le moteur s'arrête.



AVERTISSEMENT : L'interrupteur revient automatiquement à la position de

démarrage. Afin d'éviter tout démarrage accidentel, retirez le chapeau de la bougie d'allumage lorsque vous assemblez l'outil ou en effectuez l'entretien.

Vérification du protège-main

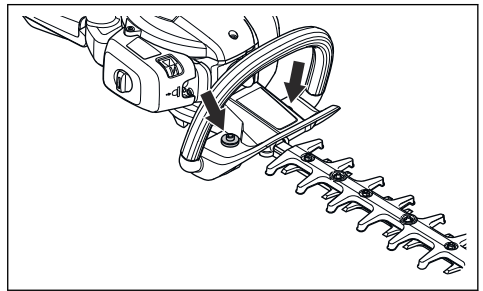
Le protège-main empêche les blessures dues aux lames.

- Couper le moteur.
- S'assurer que la protection de la main est bien fixée.
- Inspecter le protège-main pour détecter d'éventuels dommages

Pour vérifier le système antivibrations

Le système antivibrations réduit les vibrations dans les poignées. Les unités antivibrations fonctionnent comme une séparation entre le corps du produit et la poignée.

- Effectuer une inspection visuelle pour détecter les déformations et les dommages éventuels.
- Vérifier que les éléments antivibrations sont correctement fixés.



Pour vérifier le silencieux



AVERTISSEMENT : Ne pas utiliser le produit si le silencieux est manquant ou endommagé. Un silencieux endommagé ou manquant peut faire augmenter le niveau sonore et le risque d'incendie. Garder un extincteur à proximité. Ne pas utiliser le produit sans grille anti-flamme ou si celle-ci est endommagée s'il est essentiel d'en utiliser une dans votre secteur.



AVERTISSEMENT : Les silencieux deviennent très chaud pendant et après utilisation, ainsi que lorsque le moteur tourne au ralenti.



MISE EN GARDE : Si la grille pare-étincelles est souvent obstruée, cela peut être le signe d'une réduction de la performance du pot catalytique. Se rendre

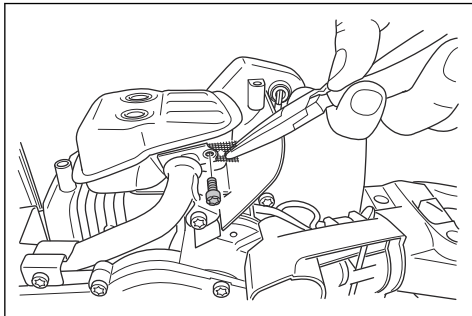
chez le fournisseur de services d'entretien pour examiner le silencieux. Une grille pare-étincelles obstruée provoque une surchauffe et une détérioration du cylindre et du piston.



AVERTISSEMENT : Les surfaces internes du silencieux contiennent des produits chimiques pouvant causer des cancers. Faire attention à ne pas toucher ces éléments si le silencieux est endommagé.

Le silencieux maintient le niveau de bruit au minimum et dirige les gaz d'échappement loin de l'utilisateur. Un silencieux doté d'un pot catalytique réduit les substances toxiques des gaz d'échappement.

1. Couper le moteur.
2. Effectuer une inspection visuelle pour détecter d'éventuels dommages ou déformation.
3. S'assurer que le silencieux est bien fixé sur le produit.
4. Nettoyer doucement la grille pare-étincelles à l'aide d'une brosse métallique.



Pour vérifier les lames et le protège-lame

La partie extérieure des lames remplit la fonction de protège-lame. Le protège-lame prévient les coupures.

1. Arrêter le moteur et s'assurer que les lames s'arrêtent aussi.
2. Retirer le chapeau de la bougie.
3. Enfiler des gants de protection.
4. S'assurer que la lame et le protège-lame ne sont pas endommagés ou tordus. Toujours remplacer une lame endommagée ou déformée, même chose pour le protège-lame.
5. S'assurer que les vis des lames et du protège-lame sont bien serrées.

Sécurité – carburant



AVERTISSEMENT : Lire les messages d'avertissement qui suivent avant d'utiliser l'outil.

- Ne pas démarrer l'outil s'il y a du carburant ou de l'huile moteur sur l'outil. Nettoyer le carburant ou l'huile et laisser sécher l'outil.
- Si du carburant se déverse sur les vêtements, changer immédiatement de vêtement.
- Ne pas déverser du carburant sur le corps; cela pourrait causer des blessures. Si du carburant se déverse sur le corps, se nettoyer au savon doux et à l'eau.
- Ne pas démarrer l'outil si le moteur présente une fuite. Vérifier régulièrement le moteur à la recherche de fuites.
- Faire preuve de prudence lors de la manipulation du carburant. Celui-ci est inflammable et ses vapeurs sont explosives et peuvent causer des blessures ou la mort.
- Ne pas respirer les vapeurs de carburant, car elles peuvent causer des blessures. Vérifier que la ventilation est suffisante.
- Ne pas fumer à proximité du carburant ou du moteur.
- Ne pas placer des objets chauds à proximité du carburant ou du moteur.
- Ne pas faire le plein de carburant lorsque le moteur tourne.
- Vérifier que le moteur est froid avant de faire le plein.
- Avant de faire le plein, ouvrir lentement le couvercle du réservoir de carburant et relâcher la pression avec précaution.
- Ne pas faire le plein dans une pièce fermée. Un débit d'air insuffisant peut entraîner des blessures ou la mort en raison d'une asphyxie ou du monoxyde de carbone.
- Serrer fermement le couvercle du réservoir de carburant. Si le couvercle du réservoir de carburant n'est pas bien serré, il y a un risque d'incendie.
- Avant de démarrer l'outil, le déplacer à au moins 3 m (10 pi) de la position où le plein de carburant a été fait.
- Ne jamais remplir le réservoir de carburant complètement. La chaleur provoque une dilatation du carburant. Laisser un espace dans la partie supérieure du réservoir de carburant.

Consignes de sécurité pour la maintenance



AVERTISSEMENT : Lire les messages d'avertissement qui suivent avant d'utiliser l'outil.

- Arrêter le moteur et s'assurer que l'unité de coupe s'arrête aussi. Laisser le produit refroidir avant de procéder à l'entretien.
- Débrancher la bougie d'allumage avant de procéder à l'entretien.
- Les gaz d'échappement du moteur contiennent du monoxyde de carbone, un gaz inodore, toxique et très dangereux qui peut causer la mort. Ne pas démarrer le produit à l'intérieur ou dans des espaces fermés.
- Les gaz d'échappement du moteur sont chauds et peuvent contenir des étincelles. Ne pas démarrer l'outil dans un local clos ou à proximité de matériaux inflammables.
- Les accessoires et les modifications apportées au produit qui ne sont pas approuvés par le

fabricant peuvent causer des blessures graves, voire mortelles. Ne pas modifier l'outil. Utilisez toujours des accessoires d'origine.

- Si l'entretien n'est pas effectué correctement et régulièrement, le risque de blessures et de dommages à l'outil augmente.
- N'effectuer que les travaux d'entretien recommandés dans ce manuel d'utilisation. Laisser un agent d'entretien agréé RedMax effectuer toutes les autres opérations d'entretien.
- Demander régulièrement à un agent d'entretien agréé RedMax d'effectuer l'entretien de l'outil.
- Remplacer les pièces endommagées, usées ou brisées.

Fonctionnement

Introduction



AVERTISSEMENT : Lire et comprendre le chapitre sur la sécurité avant d'utiliser le produit.

Carburant

Cet outil est équipé d'un moteur à deux-temps.



MISE EN GARDE : Un type de carburant inapproprié peut endommager le moteur. Utiliser un mélange d'essence et d'huile pour moteur à deux-temps.

Carburant prémélangé

- Utiliser du carburant alkylat prémélangé RedMax, pour atteindre une performance optimale et un prolonger la durée de vie du moteur. Ce carburant contient moins de substances chimiques nocives par rapport à un carburant régulier, ce qui réduit les gaz d'échappement nocifs. La quantité de dépôts après combustion est inférieure avec ce carburant, ce qui maintient les composants du moteur plus propres.

Pour mélanger le carburant

Essence

- Utiliser de l'essence sans plomb de bonne qualité contenant au maximum 10 % d'éthanol.



MISE EN GARDE : Ne pas utiliser d'essence à indice d'octane inférieur à 90 RON (87 AKI). L'utilisation d'un indice d'octane inférieur peut entraîner le cognement du moteur, ce qui provoque des dommages au moteur.

Huile à moteur deux temps

- Pour obtenir un meilleur résultat et un fonctionnement optimal, utiliser l'huile pour moteur à deux-temps RedMax.
- Si l'huile pour moteur à deux temps RedMax n'est pas disponible, utiliser une huile pour moteur à deux temps de bonne qualité destinée aux moteurs refroidis à l'air. Communiquer avec votre centre de services pour sélectionner l'huile appropriée.



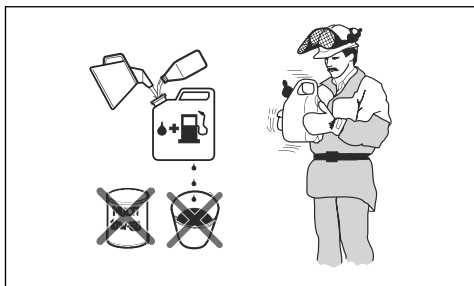
MISE EN GARDE : Ne pas utiliser l'huile pour moteur à deux temps dans des moteurs hors-bord refroidis à l'eau, également appelée huile pour moteur hors-bord. Ne pas utiliser l'huile pour des moteurs à quatre temps.

Pour mélanger l'essence et l'huile pour moteur à deux temps

Essence, litre	Huile pour moteur à deux temps, litre
	2 % (50:1)
5	0,10
10	0,20
15	0,30
20	0,40
gallon US	once liquide US
1	2 ½
2 1/2	6 ½
5	12 ¾



MISE EN GARDE : De petites erreurs peuvent influencer considérablement le ratio de mélange lors du mélange de petites quantités de carburant. Mesurer soigneusement la quantité d'huile et s'assurer d'obtenir le mélange approprié.



1. Remplir la moitié de la quantité d'essence dans un récipient propre destiné à contenir du carburant.
2. Ajouter la quantité totale d'huile.
3. Agiter le mélange de carburant.
4. Ajouter la quantité restante d'essence dans un récipient.
5. Agiter avec précaution le mélange de carburant.



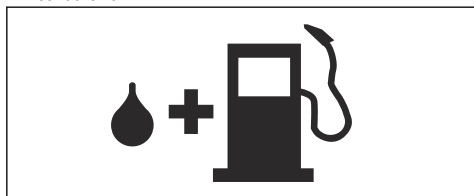
MISE EN GARDE : Ne pas mélanger le carburant pendant plus de 1 mois à la fois.

Remplissage du réservoir de carburant



AVERTISSEMENT : Respecter la procédure suivante pour assurer la sécurité.

1. Couper le moteur et le laisser refroidir.
2. Nettoyer la zone autour du bouchon du réservoir de carburant.



3. Secouer le bidon et s'assurer que le carburant est complètement mélangé.
4. Retirer le bouchon du réservoir de carburant lentement pour libérer la pression.
5. Remplir le réservoir de carburant.



MISE EN GARDE : S'assurer qu'il n'y a pas trop de carburant dans le réservoir. Le carburant se dilate lorsqu'il devient chaud.

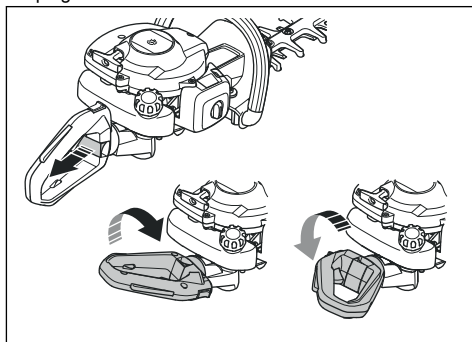
6. Serrer fermement le bouchon du réservoir de carburant.
7. Nettoyer le déversement de carburant sur le produit et autour de celui-ci.
8. Éloigner le produit de 3 m (10 pi) ou plus de la zone de remplissage et de la source de carburant avant de démarrer.

Remarque : Pour connaître l'emplacement du réservoir de carburant sur votre machine, se reporter à *Présentation de l'appareil à la page 38*.

Réglage de la position de la poignée

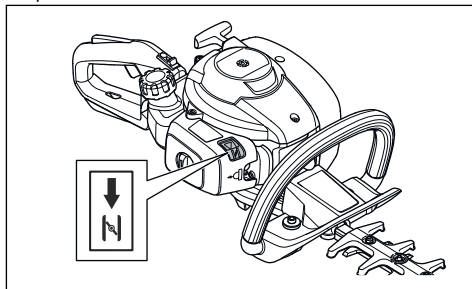
La poignée arrière peut être réglée dans 3 positions différentes.

- Relâcher le levier de verrouillage et tourner la poignée.



Démarrage du produit quand le moteur est froid

1. Tirer la commande d'étrangleur pour la mettre en position.



2. Appuyer environ 6 fois sur la poire de purge d'air ou jusqu'à ce que le carburant commence à se verser dans la poire. Il n'est pas nécessaire de remplir entièrement la poire de purge d'air.
3. Maintenir l'outil sur le sol à l'aide de la main gauche. Ne pas marcher sur l'outil.
4. Tirer lentement la poignée du câble du lanceur au moyen de la main droite jusqu'à rencontrer une résistance, tirer ensuite la poignée du câble du lanceur rapidement et avec force.



AVERTISSEMENT : Ne pas enrouler la corde du lanceur autour de la main.



MISE EN GARDE : Ne pas tirer complètement le câble du lanceur et ne pas lâcher la poignée du câble du lanceur.

5. Continuer à tirer la poignée de la corde du lanceur jusqu'à ce que le moteur démarre, puis appuyez sur la commande d'étrangleur pour la mettre en position initiale.



AVERTISSEMENT : Les lames tournent quand le moteur démarre.

6. Continuer de tirer sur la poignée du câble du lanceur jusqu'à ce que le moteur démarre.
7. Appuyer sur la gâchette d'accélérateur, puis la relâcher pour régler le moteur au régime de ralenti.
8. Appuyer graduellement sur la gâchette de l'accélérateur pour augmenter le régime du moteur.
9. S'assurer que le moteur tourne de façon régulière.

Démarrage du produit quand le moteur est chaud

1. Maintenir l'outil sur le sol à l'aide de la main gauche. Ne pas marcher sur l'outil.
2. Tirer lentement la poignée du câble du lanceur au moyen de la main droite jusqu'à rencontrer une résistance, tirer ensuite la poignée du câble du lanceur rapidement et avec force. Continuer jusqu'à ce que le moteur démarre.

Remarque : Pour plus d'informations sur le démarrage de la machine, se reporter à la section *Démarrage du produit quand le moteur est froid à la page 45.*

Arrêt de la machine

- Déplacer l'interrupteur d'arrêt dans la position d'arrêt pour arrêter le moteur.

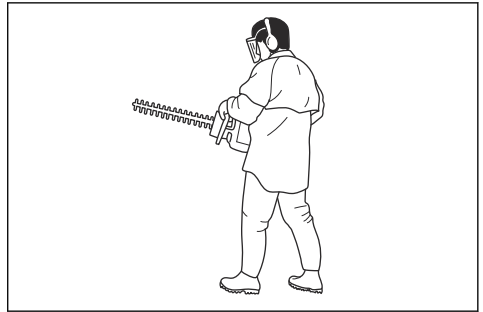


MISE EN GARDE :

L'interrupteur revient automatiquement à la position de marche.

Utilisation de la machine

1. Démarrer à proximité du sol et déplacer le produit en même temps le long de la haie lorsqu'on coupe les côtés. S'assurer que le corps du produit ne touche pas la haie.



AVERTISSEMENT : S'assurer que la partie avant de l'équipement de coupe ne touche pas le sol.

2. Régler la vitesse selon la charge de travail.
3. Tenir le produit à proximité du corps pour obtenir une position de travail stable.
4. Faire attention et utiliser le produit avec soin.

Entretien

Introduction



AVERTISSEMENT : Lire et comprendre le chapitre sur la sécurité avant de faire l'entretien du produit.

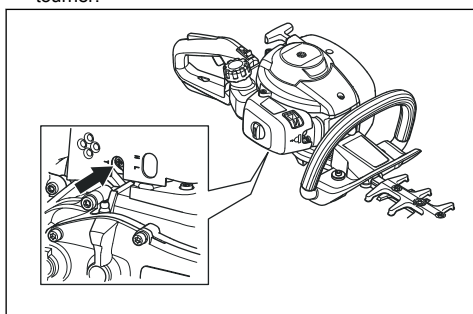
Calendrier d'entretien

Entretien	Avant l'utilisation	Après 40 h	Après 100 h
Nettoyer la surface externe.	Après chaque utilisation		
Nettoyer le silencieux, le tuyau d'échappement et le moteur pour retirer les feuilles, la saleté et les traces de lubrifiant.	Après chaque utilisation		
S'assurer que l'unité de coupe ne tourne pas au régime de ralenti.	X		
Vérifier l'interrupteur d'arrêt. Se reporter à <i>Pour vérifier l'interrupteur d'arrêt à la page 42.</i>	X		
Vérifier l'unité de coupe pour détecter d'éventuels dommages et fissures. Le remplacer s'il est endommagé.	X		
Vérifier le dispositif de protection de la main pour détecter d'éventuels dommages et fissures. Le remplacer s'il est endommagé.	X		
Vérifier le dispositif de verrouillage de la gâchette d'accélération et la gâchette. Se reporter à <i>Pour vérifier le verrouillage de la gâchette de l'accélérateur à la page 41.</i>	X		
Examiner le moteur, le réservoir de carburant et les conduites de carburant pour détecter d'éventuelles fuites.	X		
Serrer les écrous et les vis.	X		
Examiner le lanceur et la corde du lanceur pour détecter d'éventuels dommages.		X	
Vérifier que les vis qui maintiennent les lames ensemble sont correctement serrées.		X	
Nettoyer le filtre à air. Nettoyer plus fréquemment si la machine est utilisée dans une zone poussiéreuse. Le remplacer s'il est endommagé.		X	
Examiner les éléments antivibrations pour s'assurer qu'ils ne présentent pas de dommages ou de fissures. Le remplacer s'il est endommagé.		X	
Nettoyer la surface externe de la bougie et ses zones adjacentes. Retirer la bougie et mesurer la distance entre les électrodes. Régler la distance entre les électrodes ou remplacer la bougie. Se reporter à <i>Pour vérifier la bougie d'allumage à la page 48.</i>		X	
Nettoyer le système de refroidissement.		X	
Nettoyer la surface externe du carburateur et ses zones adjacentes.		X	
Examiner le filtre à carburant pour voir s'il y a une contamination et le tuyau à carburant pour voir s'il y a des fissures et d'autres dommages. Le remplacer s'il est endommagé.			X
Nettoyer la grille pare-étincelles du silencieux et la remplacer si elle est endommagée.			X
Nettoyer les surfaces intérieures du réservoir de carburant.			X
Remplacer la bougie d'allumage.			X
Vérifier l'embrayage, le ressort d'embrayage et le tambour d'embrayage pour détecter toute éventuelle usure. Le faire remplacer s'il est endommagé par un atelier d'entretien agréé.			X

Entretien	Avant l'utilisation	Après 40 h	Après 100 h
Vérifier que le carter est rempli de graisse.			X
Vérifier tous les câbles et toutes les connexions.			X

Réglage du régime de ralenti

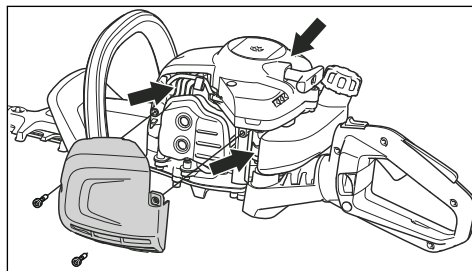
1. Nettoyer le filtre à air et poser le couvercle du filtre à air.
2. Mettre l'outil sous tension. Se reporter à la section *Démarrage du produit quand le moteur est froid à la page 45*.
3. Tourner la vis de réglage de ralenti dans le sens horaire jusqu'à ce que l'unité de coupe commence à tourner.



4. Tourner la vis de réglage de ralenti dans le sens antihoraire jusqu'à ce que l'unité de coupe s'arrête.



AVERTISSEMENT : Si l'unité de coupe ne s'arrête pas lors du réglage du régime de ralenti, communiquer avec le fournisseur de services d'entretien le plus proche. Ne pas utiliser le produit jusqu'à ce qu'il soit réglé ou réparé correctement.



MISE EN GARDE : La prise d'air entre le réservoir de carburant et le carter moteur est facilement obstruée par les feuilles. Nettoyer la prise d'air complètement.

1. Nettoyer le système de refroidissement au moyen d'une brosse une fois par semaine ou plus fréquemment au besoin.
2. S'assurer que le système de refroidissement n'est pas sale ou obstrué.

Pour vérifier la bougie d'allumage



MISE EN GARDE : Toujours utiliser une bougie d'allumage du type recommandé. Une bougie d'allumage de type inapproprié peut endommager le produit.

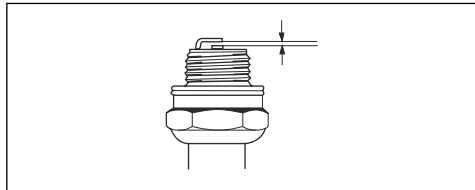
- Examiner la bougie d'allumage si le moteur manque de puissance, démarre difficilement ou ne fonctionne pas correctement au régime de ralenti.
- Afin de réduire le risque de matériau indésirable sur les électrodes de la bougie, respecter les consignes suivantes :
 - a) Assurez-vous que le régime de ralenti est correctement réglé.
 - b) Vérifier que le mélange de carburant est correct.
 - c) Vérifier que le filtre à air est propre.

Remarque : Le régime de ralenti est adéquat lorsque le moteur fonctionne sans à-coups dans toutes les positions. Se reporter à la section *Caractéristiques techniques à la page 52* pour obtenir le régime de ralenti recommandé.

Nettoyage du système de refroidissement

Le système de refroidissement maintient la température du moteur à niveau bas. Le système de refroidissement comprend les ailettes de refroidissement du cylindre, le couvercle du cylindre et la prise d'air par le carter moteur.

- Si la bougie d'allumage est sale, la nettoyer et s'assurer que l'écartement des électrodes est correct, se reporter à la section *Caractéristiques techniques à la page 52.*

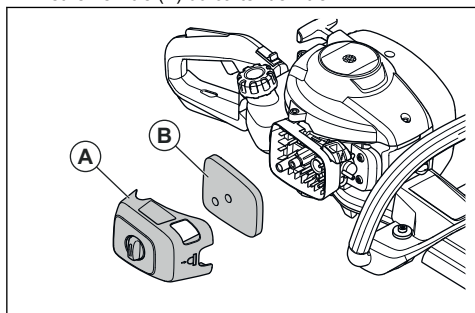


- Remplacez la bougie si nécessaire.

Nettoyage du filtre à air

Éliminer régulièrement la saleté et la poussière du filtre à air. Ceci permet d'éviter un mauvais fonctionnement du carburateur, des problèmes de démarrage, une perte de puissance du moteur, une usure des pièces du moteur et une consommation de carburant plus que d'habitude.

1. Retirer le couvercle du filtre à air (A).
2. Retirer le filtre (B) du carter de filtre.



3. Nettoyer le filtre avec de l'eau savonneuse chaude.

Remarque : Un filtre à air utilisé pendant une longue période ne peut être complètement nettoyé. Remplacer régulièrement le filtre à air et toujours remplacer un filtre à air endommagé.

4. S'assurer que le filtre est sec.
5. Appliquer de l'huile sur le filtre à air. Se reporter à *Application de l'huile sur le filtre à air en mousse à la page 49*
6. Nettoyer la surface intérieure du couvercle du filtre à air. Utiliser de l'air comprimé ou une brosse.

Application de l'huile sur le filtre à air en mousse

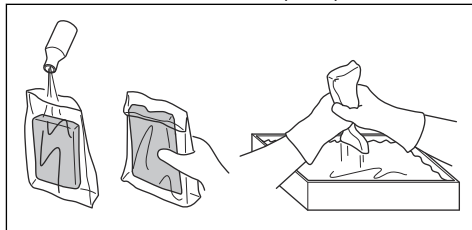


MISE EN GARDE : Toujours utiliser de l'huile RedMax pour filtre à air spécial. Ne pas utiliser d'autres types d'huile.



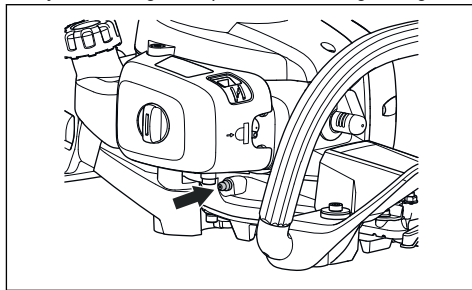
AVERTISSEMENT : Enfiler des gants de protection. L'huile pour filtre à air peut irriter la peau.

1. Placer le filtre à air en mousse dans un sac en plastique.
2. Placer l'huile dans le sac en plastique.
3. Frotter le sac en plastique pour vérifier que l'huile alimente également l'ensemble du filtre à air en mousse.
4. Pousser l'huile indésirable vers l'extérieur du filtre à air en mousse dans le sac en plastique.



Pour lubrifier le carter d'engrenage

- Utiliser de la graisse spéciale RedMax. Pour obtenir de plus amples renseignements sur la graisse recommandée, communiquer avec votre centre de services.
- Ajouter de la graisse par le raccord de graissage.



MISE EN GARDE : Ne pas remplir complètement le carter d'engrenage.

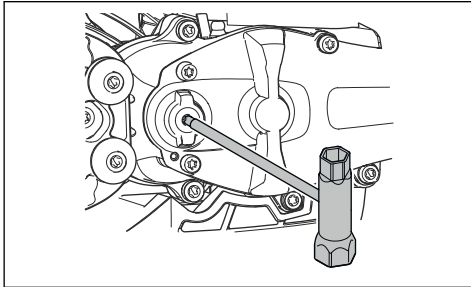
Pour nettoyer et lubrifier les lames

1. Nettoyer les lames de tout matériau indésirable avant et après l'utilisation du produit.
2. Lubrifier les lames avant une longue période de remisage.

Remarque : Pour obtenir de plus amples renseignements sur les lubrifiants et les produits de nettoyage recommandés, communiquer avec votre centre de services.

Pour examiner les lames

1. Retirer le couvercle du carter d'engrenage.
2. Vérifier que les lames bougent librement. Placer la clé mixte dans le carter d'engrenage et la tourner dans le sens horaire, puis dans le sens antihoraire.



3. Examiner les bords des lames à la recherche de dommages et de déformation.
4. Retirer les bavures sur les lames à l'aide d'une lime.

Dépannage

Dépannage

Le moteur ne démarre pas.		
Problème	Cause possible	Étape recommandée
Cliquets de lanceur à rappel	Les cliquets de lanceur à rappel ne peuvent se déplacer librement.	Régler ou remplacer les cliquets du lanceur.
		Nettoyer alentour des cliquets de démarrage.
		Communiquer avec un fournisseur de services d'entretien agréé.
Réservoir de carburant	Type de carburant inapproprié.	Vidanger et utiliser le carburant approprié.
Carburateur	Ralenti du moteur inadéquat	Régler le régime de ralenti.
Aucune étincelle	La bougie d'allumage est sale ou humide.	S'assurer que la bougie est propre et sèche.
	Distance entre les électrodes inadéquate	Nettoyer la bougie d'allumage. S'assurer que la distance entre les électrodes de la bougie est adéquate. S'assurer que la bougie est installée avec un supprimeur. Se reporter à la section <i>Caractéristiques techniques à la page 52</i> pour connaître la distance adéquate entre les électrodes.
Bougie d'allumage	La bougie d'allumage est desserrée.	Serrer la bougie d'allumage.

Le moteur démarre mais s'arrête à nouveau		
Problème	Cause possible	Étape recommandée
Réservoir de carburant	Type de carburant inapproprié.	Vidanger et utiliser le carburant approprié.
Carburateur	Ralenti du moteur inadéquat	Régler le régime de ralenti. Se reporter à la section <i>Réglage du régime de ralenti à la page 48</i> . Communiquer avec votre centre de services si nécessaire.
Filtre à air	Filtre à air bouché.	Nettoyer le filtre à air.

Lame		
Problème	Causes possibles	Étape recommandée
La lame tourne lentement ou pas du tout.	La lame est bloquée ou endommagée.	Dégager les lames de tout matériau indésirable. Se reporter à la section <i>Pour nettoyer et lubrifier les lames à la page 49</i> . Éliminer les bavures de la lame, se reporter à <i>Pour examiner les lames à la page 50</i> Remplacer la lame si elle est endommagée.
La lame ne coupe pas facilement.	La lame n'est pas assez aiguisée ou est endommagée.	Aiguiser la lame, se reporter à <i>Pour examiner les lames à la page 50</i> Remplacer la lame si elle est endommagée.
La lame devient très chaude.	Il y a frottement entre les lames.	Éliminer les bavures et lubrifier la lame. Se reporter à la section <i>Pour nettoyer et lubrifier les lames à la page 49</i> .

Transport, entreposage et mise au rebut

Transport et entreposage

- Toujours laisser l'appareil refroidir avant de l'entreposer.
- Pour le stockage et le transport du produit et du carburant, s'assurer qu'il n'y a pas de fuite ou de vapeur. Les étincelles ou les flammes nues, par exemple avec des appareils électriques ou des chaudières, peuvent démarrer un incendie.
- Utiliser toujours des contenants agréés pour entreposer ou transporter le carburant.
- Vider les réservoirs de carburant avant tout transport ou remisage pendant une période prolongée. Mettre au rebut le carburant à un emplacement de mise au rebut adéquat.
- Fixer la protection de transport pendant le transport et le stockage.

- Retirer le chapeau de la bougie.
- Fixer le produit pendant le transport. S'assurer qu'il ne puisse pas bouger.
- Nettoyer et entretenir le produit avant de le remettre pour une période prolongée.

Mise au rebut

- Respecter les exigences locales et la réglementation en vigueur.
- Mettre au rebut tous les produits chimiques, tels que l'huile moteur ou le carburant, dans un centre de service ou à un emplacement de mise au rebut adéquat.
- Mettre le produit au rebut dans un emplacement de mise au rebut approuvé ou l'envoyer à RedMax pour la mise au rebut.

Caractéristiques techniques

Données techniques

	CHTZ60
Moteur	
Cylindrée, po ³ /cm ³	1,32/21,7
Régime de ralenti, tr/min	2900
Régime maximal recommandé, tr/min	9000
Puissance max. du moteur, conformément à la norme ISO 8893, kW/hp à tr/min	0,6/0,8 @ 7 800
Silencieux du pot catalytique	Oui
Système d'allumage	
Bougie d'allumage	HQT-4 672201
Écartement des électrodes, po /mm	0,02/0,5
Carburant	
Capacité du réservoir de carburant, pte US/ l	0,6/0,3
Poids	
Sans carburant, lb/kg	11,5/5,2
Lames	
Type	Double tranchant
Longueur de coupe, po/mm	24/600
Vitesse de découpe, coupes/min	4 400

Garantie

DÉCLARATION DE GARANTIE DU SYSTÈME DE CONTRÔLE DES ÉMISSIONS PAR ÉVAPORATION DU GOUVERNEMENT FÉDÉRAL AMÉRICAIN ET DU CANADA

VOS DROITS ET OBLIGATIONS EN VERTU DE LA GARANTIE

L'U.S. Environmental Protection Agency (EPA), Environnement et Changement climatique Canada et Husqvarna Professional Products, Inc. vous présentent la garantie du système de contrôle des émissions d'échappement et d'évaporation (les « émissions ») qui protège votre petit moteur hors route de l'année 2012 et ultérieure*. Aux États-Unis et au Canada, l'équipement neuf équipé d'un petit moteur hors-route doit être conçu, fabriqué et équipé de manière à répondre aux strictes normes antipollution de l'État ou de la province. Husqvarna Professional Products, Inc. doit garantir les systèmes de contrôle antipollution de votre petit moteur hors route pendant les périodes figurant sur la liste ci-dessous à condition que votre petit moteur hors route ou tout autre équipement ne présente aucun signe d'abus, de négligence ou d'entretien inapproprié menant à la défaillance du système de contrôle des émissions. Votre système de contrôle des émissions peut comprendre différentes pièces comme un carburateur, un système d'injection de carburant, un système d'allumage, un pot catalytique, des réservoirs de carburant, des conduites de carburant (pour le carburant liquide et les vapeurs de carburant), des bouchons de réservoir de carburant, des soupapes, des réservoirs à charbon actif, des filtres, des colliers et d'autres composants associés. Il peut aussi comprendre des flexibles, de courroies, des raccords et d'autres pièces liées aux émissions. En cas de problème couvert par la garantie, Husqvarna Professional Products, Inc. répare votre petit moteur hors route sans frais, diagnostic, pièces et main-d'œuvre compris.

COUVERTURE DE LA GARANTIE DU FABRICANT

Le système de contrôle des émissions par évaporation pour petit moteur hors route est garanti deux ans. Si une pièce de votre petit moteur hors route liée aux émissions est défectueuse, elle doit alors être réparée ou remplacée par Husqvarna Professional Products, Inc..

RESPONSABILITÉS DU PROPRIÉTAIRE EN VERTU DE LA GARANTIE

- À titre de propriétaire d'un petit moteur hors route, vous êtes tenu d'effectuer l'entretien obligatoire indiqué dans le manuel de l'utilisateur. Husqvarna Professional Products, Inc. vous recommande de conserver tous les reçus relatifs à l'entretien de votre petit moteur hors route, mais Husqvarna

Professional Products, Inc. ne peut pas refuser l'application de la garantie pour la seule raison de l'absence de reçus ou du non-respect du calendrier de maintenance.

- En tant que propriétaire d'un petit moteur hors route, vous devez savoir que Husqvarna Professional Products, Inc. peut vous refuser la couverture de la garantie si votre petit moteur hors route ou une pièce est défaillant en raison d'un abus, de négligence, d'un entretien inapproprié ou de modifications non approuvées.
- Vous devez présenter votre petit moteur hors route à un centre de réparation Husqvarna Professional Products, Inc. agréé dès que le problème se manifeste. Les réparations couvertes par la garantie seront effectuées dans un délai raisonnable qui n'excédera pas 30 jours. Pour toute question relative à vos droits et responsabilités relativement à votre garantie, communiquer avec Husqvarna Professional Products, Inc. au CANADA au 1-800-487-5951 ou aux ÉTATS-UNIS au 1-800-805-5523, ou alors envoyer un courriel à l'adresse emissions@husqvarnagroup.com ou warranty@hpp-emissions.com.

DATE D'ENTRÉE EN VIGUEUR DE LA GARANTIE

La période de garantie commence à la date à laquelle le moteur ou le matériel est livré à l'acheteur final.

DURÉE DE LA COUVERTURE

Husqvarna Professional Products, Inc. garantit au dernier acheteur et à chacun des propriétaires suivants que le petit moteur ou l'équipement hors route a été conçu, construit et équipé dans le respect de toutes les réglementations applicables édictées par l'EPA et est exempt de tout défaut matériel ou de fabrication pouvant provoquer la panne d'une pièce garantie pendant une période de deux ans.

ÉLÉMENTS COUVERTS

RÉPARATION OU REMPLACEMENT DES PIÈCES :

La réparation ou le remplacement de toute pièce garantie qui est défectueuse sera effectué sans frais dans un centre de services agréé par la marque. À l'exclusion des réparations et des remplacements couverts par la présente garantie, il est possible de choisir un atelier de réparation ou toute autre personne pour entretenir, remplacer ou réparer les dispositifs et systèmes antipollution. Cependant, Husqvarna Professional Products, Inc. recommande que toutes les opérations d'entretien, de remplacement et de réparation des dispositifs et systèmes antipollution soient effectuées dans un centre de services agréé par la marque.

IMPORTANT : Le présent produit est conforme à la réglementation de la Phase 3 de l'Environmental Protection Agency (EPA) des États-Unis en ce qui concerne les émissions d'échappement et

d'évaporation. Afin de garantir le respect des règlements de l'EPA Phase 3, d'Environnement et Changement climatique Canada, nous recommandons d'utiliser uniquement des pièces de rechange de la marque du produit d'origine. L'utilisation de pièces de rechange non conformes est une infraction à la législation fédérale et à celle de certains États.

PÉRIODE DE GARANTIE : Toute pièce garantie dont le remplacement n'est pas prévu dans le cadre du programme d'entretien obligatoire ou dont la seule mesure prévue est l'inspection régulière avec « réparation ou remplacement au besoin » est garantie pendant deux ans (ou pendant la durée stipulée dans la garantie du produit, selon la période la plus longue) à compter de sa date d'achat par l'acheteur initial. Toute pièce garantie dont le remplacement est prévu par le calendrier d'entretien obligatoire est garantie pendant la période écoulée jusqu'au premier remplacement prévu de la pièce. Toute pièce réparée ou remplacée en vertu de la garantie est couverte pendant la période de garantie restante.

DIAGNOSTIC : Vous n'avez pas à payer pour le diagnostic permettant de conclure que la pièce garantie est défectueuse, à condition qu'un tel diagnostic soit effectué dans un atelier d'entretien agréé.

AUTRES DOMMAGES : Husqvarna Professional Products, Inc. réparera les autres composants du moteur endommagés par suite de la défaillance d'une pièce sous garantie.

LISTE DES PIÈCES COUVERTES PAR LA GARANTIE DE CONTRÔLE DES ÉMISSIONS

1. Pièces du carburateur et du système d'admission ou système d'injection
2. Filtre à air et filtre à carburant couverts dans la limite du calendrier d'entretien
3. Bougies d'allumage couvertes dans la limite du calendrier d'entretien.
4. Module d'allumage.
5. Silencieux avec catalyseur et collecteurs d'échappement
6. Réservoir de carburant, conduites de carburant (pour le carburant liquide et les vapeurs de carburant), bouchon de réservoir, réservoir à charbon actif, clapet antiretour en cas de retournement et clapets antibalotement si applicable.*
7. Commandes électroniques, soupapes et interrupteurs sensibles au vide, à la température et au temps
8. Flexibles, raccords et ensembles
9. Tous les autres composants, dont la défaillance augmenterait les émissions par évaporation d'un polluant quelconque par le moteur, comme énoncé ci-dessous :
 - Pour les États-Unis et le Canada, se reporter au US Federal Code of Regulations, 40 C.F.R 1068 Appendix I (iii).

ÉLÉMENTS NON COUVERTS

Toutes les pannes dues à un abus, à de la négligence, à des modifications non approuvées, à une utilisation ou à un entretien inadéquat ne sont pas couvertes.

PIÈCES COMPLÉMENTAIRES OU MODIFIÉES

Aucune pièce complémentaire ou modifiée non affranchie par l'EPA ne peut être utilisée. L'utilisation de pièces complémentaires ou modifiées non exemptées est un motif suffisant pour rejeter une demande d'indemnisation. Husqvarna Professional Products, Inc. n'a pas la responsabilité de garantir les pannes de pièces garanties provoquées par l'utilisation d'une pièce complémentaire ou modifiée non affranchie.

COMMENT PRÉSENTER UNE DEMANDE D'INDEMNISATION

Pour toute question relative à vos droits et responsabilités relativement à la garantie, communiquer avec le centre de services agréé le plus proche, appeler Husqvarna Professional Products, Inc. aux ÉTATS-UNIS au 1-800-487-5951, au CANADA au 1-800-805-5523, ou bien envoyer un courriel à l'adresse emissions@husqvarnagroup.com ou warranty@hqp-emissions.com.

OÙ JOINDRE LE SERVICE DE GARANTIE?

Les services de garantie ou de réparation sont assurés par tous les ateliers d'entretien Husqvarna Professional Products, Inc. agréés. Si le centre de réparation agréé le plus près se trouve à plus de 160 kilomètres de votre emplacement, Husqvarna Professional Products, Inc. arrangerait et paierait la livraison aller-retour vers un centre de réparation agréé par la marque ou arrangerait autrement la prestation du service au titre de la garantie, en conformité avec les règlements applicables.

ENTRETIEN, REMPLACEMENT ET RÉPARATION DES PIÈCES RELATIVES AUX ÉMISSIONS

Toute pièce de remplacement peut être utilisée pour procéder à un entretien ou à une réparation sous garantie et elle sera fournie sans frais pour le propriétaire. Un tel remplacement n'a pas pour effet de réduire les obligations du fabricant relativement à la garantie.

ATTESTATION D'ENTRETIEN

Le propriétaire est tenu de respecter l'entretien obligatoire prévu dans le manuel de l'utilisateur.

* Pièces liées aux émissions par évaporation.

CONSIGNES DE SÉCURITÉ RELATIVES À LA NORME AMÉRICAINE

CONSIGNES DE SÉCURITÉ POUR LES UTILISATEURS DE TRONÇONNEUSE

(Annexe)

CONSIGNES DE SÉCURITÉ RELATIVES AUX EFFETS DE REBOND



AVERTISSEMENT : Un rebond peut se produire pendant le sciage lorsque le nez du guide-chaîne touche un objet ou lorsque la pièce de bois se referme et bloque la tronçonneuse.

Dans certains cas, quand le bout du guide-chaîne touche un objet, la tronçonneuse rebondit de façon ultrarapide vers l'opérateur.

Si la chaîne se bloque au bout du guide-chaîne, celui-ci peut rebondir rapidement vers l'opérateur.

Ces réactions peuvent vous faire perdre le contrôle de la tronçonneuse et provoquer des blessures graves.

Ne vous fiez pas exclusivement aux dispositifs de sécurité incorporés. En tant qu'opérateur de la tronçonneuse, il vous incombe de prendre les mesures nécessaires pour éviter tout accident et toute blessure pendant le travail.

Avec une compréhension élémentaire des effets de rebond, il est possible de réduire voire d'éliminer l'effet de surprise. Une surprise soudaine contribue aux accidents.

Tenir fermement la tronçonneuse des deux mains, la main droite sur la poignée arrière et la main gauche sur la poignée avant, lorsque le moteur est en marche. Tenir fermement la tronçonneuse des deux mains, avec les pouces et les doigts qui entourent les poignées de la tronçonneuse. Cela permet de réduire le risque d'effet de rebond et de garder le contrôle de la scie. Ne pas la lâcher.

S'assurer que la zone où la découpe est effectuée est exempte d'obstacles. Ne pas laisser le nez du guide-chaîne toucher une bille, une branche ou d'autres obstacles qui peuvent être heurtés lors de l'utilisation de la tronçonneuse.

Découper à régime moteur élevé.

Ne jamais couper à une hauteur supérieure à celle des épaules.

Suivre les instructions du fabricant pour l'affûtage de la chaîne et l'entretien de la tronçonneuse.

Utiliser uniquement les chaînes et les guide-chaîne indiqués par le fabricant ou un équivalent.

AUTRES CONSIGNES DE SÉCURITÉ



AVERTISSEMENT : Ne pas utiliser une tronçonneuse d'une seule main. L'utilisation avec une seule main peut causer des blessures graves pour l'opérateur, les assistants et les passants. Une tronçonneuse est conçue pour être utilisée avec deux mains.

Ne pas utiliser une tronçonneuse en cas de fatigue.

Utiliser des chaussures de sécurité; des vêtements ajustés, des gants de protection et des lunettes de sécurité, des protège-oreilles et un dispositif de protection pour la tête.

Faire preuve de prudence lors de la manipulation du carburant. Déplacer la tronçonneuse à au moins 3 m (10 pi) de la station de ravitaillement avant de démarrer le moteur.

Ne pas laisser d'autres personnes à proximité de la tronçonneuse lors du démarrage de celle-ci ou de son utilisation. Tenir les personnes et les animaux à l'écart de la zone de travail.

Ne pas commencer la coupe jusqu'à l'obtention d'une zone de travail dégagée, d'une prise de pieds sûre et sécurisée et d'une voie de retraite planifiée en fonction du sens de chute de l'arbre

Lorsque le moteur est en marche, tenir toutes les parties du corps à l'écart de la chaîne de la tronçonneuse.

Avant de démarrer le moteur, s'assurer que la chaîne n'est pas en contact avec quoi que ce soit.

Porter la tronçonneuse avec le moteur arrêté, le guide-chaîne et la chaîne vers l'arrière et le silencieux à l'écart de votre corps.

Ne pas utiliser une tronçonneuse endommagée, mal ajustée ou non assemblée de façon complète et sûre. S'assurer que la tronçonneuse s'immobilise lorsque la gâchette de commande d'accélération est relâchée.

Arrêter le moteur avant d'abaisser la tronçonneuse.

Faire preuve d'extrême prudence lors de la coupe de petites broussailles et de jeunes arbres car la chaîne peut projeter les petites branches vers l'utilisateur ou lui faire perdre l'équilibre.

Lors de la coupe d'une branche sous tension, prendre garde à l'effet de rebond afin de ne pas être heurté lorsque la tension présente dans les fibres du bois est relâchée.

Maintenir les poignées sèches, propres et exemptes d'huile ou de mélange de carburant.

N'utiliser la tronçonneuse que dans des zones bien ventilées.

Ne pas utiliser une tronçonneuse dans un arbre à moins d'avoir été spécifiquement formé pour le faire.

Ne pas utiliser une tronçonneuse au-dessus de la hauteur des épaules.

Tout entretien de la tronçonneuse, autre que les éléments énumérés dans les consignes de sécurité et d'entretien du manuel de l'utilisateur ou du propriétaire, doit être effectué par un personnel compétent formé à l'entretien de la tronçonneuse. (Par exemple, si des outils inadéquats sont utilisés pour enlever le volant moteur ou si un mauvais outil est utilisé pour tenir le volant moteur afin de retirer l'embrayage, des dommages structurels au volant moteur peuvent se

produire et entraîner par conséquent l'éclatement du volant moteur).

Lors du transport de votre tronçonneuse, utiliser le fourreau de protection approprié du guide-chaîne.

Remarque : La présente annexe est destinée principalement aux clients ou aux utilisateurs occasionnels.



www.redmax.com

Original instructions
Instrucciones originales
Instructions d'origine

1144130-49



2024-06-27